



液压--气动密封元件技术目录
Hydraulic - Pneumatic Sealing Elements Technical Catalogue

关于目录

该信息基于从密封件的制造和应用方面的长期经验中获得的知识。但是、在使用密封件时,未知因素可能会修改条件,从而可能导致上述数据无效。因此,关于产品功能的一般性陈述确实是不合理的。在此目录意味着信息仅是建议值,但在每一个应用程序不准确。用户有责任确定,在使用产品之前,是否适合其预期目的。我们已尽一切努力保证此目录中数据的准确性,我公司不承担有关责任、但对任何错误或不正确之处概不负责。土耳其 ALP 橡胶联合贸易有限公司有权修改和更换本目录的数据和内容。未经授权,严格禁止转发本目录所载部分或所有技术信息及图纸。

ABOUT THE CATALOGUE

The stated information is based on the knowledge gained from long experience in the manufacture and application of seals. Unknown factors in the application of seals, nonetheless, may altogether modify the conditions that may make the above data invalid. Therefore, general statements on the function of the products are indeed not plausible. Information in this catalogue signifies only suggested values not accurate in every application. It is the user's responsibility to determine, before using the product, whether it is appropriate for its intended purpose. Each care has been taken to guarantee the accuracy of the data found in this catalogue but no accountability for any errors or inaccuracies can be acknowledged. ALP KAUCUK SAN. ve TIC. A.Ş. has the right to change and replace the information or contents in this catalogue. It is strictly prohibited to publish all or a section of the technical data and drawings in this catalogue.



液压--气动密封元件技术目录

Hydraulic - Pneumatic Sealing Elements Technical Catalogue

索引

Index

		Sayfa / Page
生产规划	<i>Production Programme</i>	4-8
技术参数	<i>Technical Information</i>	12-33
1.0. 密封元件材料	<i>Sealing Element Materials</i>	14-16
2.0. 液压系统中使用的流体	<i>Commonly Used Medias For Hydraulic Systems</i>	17
3.0. 密封机构	<i>Sealing Mechanism</i>	18-21
4.0. 密封件图纸和测量技术	<i>Sealing Element Drawing And Measurement Techniques</i>	22-23
5.0. 液压缸设计标准	<i>Design Criteria In Hydraulic Cylinders</i>	24
6.0. 表面粗糙度	<i>Surface Roughness</i>	25
7.0. 液压缸常见问题	<i>Common Problems For Hydraulic Cylinders</i>	26-32
8.0. 储存条件	<i>Storage Conditions</i>	32
液压和气压缸公差	<i>Tolerances In Hydraulic and Pneumatic Cylinders</i>	33
技术数据	<i>Technical Data</i>	35-367
液压密封元件	<i>Hydraulic Piston – Rod Sealing Elements</i>	35-199
防尘圈	<i>Wipers</i>	201-245
导向元件	<i>Guide Elements</i>	247-271
聚四氟乙烯元件	<i>PTFE Sealing Elements</i>	273-309
静态密封元件	<i>Static Sealing Elements</i>	311-323
动密封元件	<i>Pneumatic Sealing Elements</i>	323-349
O- 型圈	<i>O'Rings</i>	351-359
X- 型圈	<i>X'Rings</i>	361-365

图示 Drawing	ALP 编号 Code	产品名称 Product Name	材料 Material	邵氏硬度 (Shore A) Hardness	用途 Application	工作压力 (Bar) (Max) Working Pressure	工作温度 (°C) (Max) Working Temperature	滑动速度 (Max) Sliding Speed	页码 Page
---------------	-------------------	----------------------	----------------	-------------------------------	-------------------	--	--	-----------------------------------	------------

液压密封元件 / HYDRAULIC SEALING ELEMENTS

	A101	U形活塞杆密封 U-RING ROD PISTON	NBR PU	90 92	活塞-杆 PISTON-ROD	160 400	-30+105 -40+100	0.5 0.5	36-55
	A102	U形活塞密封 U-RING PISTON	NBR PU	90 92	活塞 PISTON	160 400	-30+105 -40+100	0.5 0.5	56-59
	A103	重载活塞密封 HEAVY DUTY PISTON SEAL	NBR PTFE+青铜 POM	80 - -	活塞 PISTON	400	-30+105	1.5	60-61
	A104	组合活塞密封 COMPACT SEAL	NBR 橡胶夹织物 POM	80 - -	活塞 PISTON	400	-30+105	0.5	62-63
	A105	组合活塞密封 COMPACT SEAL	NBR TPE 玻璃填充POM	80 - -	活塞 PISTON	400	-30+105	0.5	64-69
	A106	活塞密封 PISTON SEAL	PU NBR POM	98 80 -	活塞 PISTON	400	-30+105	0.5	70-71
	A107	活塞杆密封 ROD PISTON SEAL	NBR 橡胶夹织物	80 -	活塞-杆 PISTON-ROD	250	-30+105	0.5	72-75
	A108	U形活塞密封 U-RING PISTON	PU POM	92 -	活塞 PISTON	400	-40+100	0.5	76-77
	A109	组合活塞密封 COMPACT SEAL	NBR TPE 玻璃填充POM	80 - -	活塞 PISTON	700	-30+105	0.5	78-79
	A110	活塞密封 PISTON SEAL	NBR PU	80 98	活塞 PISTON	400	-30+100	0.5	80-83
	A120	V型组合杆密封 V-PACK ROD	NBR 橡胶夹织物 POM	90 - -	杆 ROD	400	-30+105	0.5	84-87
	A121	V型组合活塞密封 V-PACK PISTON	橡胶夹织物 POM	- -	活塞 PISTON	400	-30+105	0.5	88-89
	A122	V型组合杆密封 V-PACK ROD	NBR 橡胶夹织物 POM	90 - -	杆 ROD	400	-30+105	0.5	90-91
	A123	活塞密封 PISTON SEAL	NBR PU	70 98	活塞 PISTON	400	-30+100	0.5	92-93

图示 Drawing	ALP 编号 Code	产品名称 Product Name	材料 Material	邵氏硬度 (Shore A) Hardness	用途 Application	工作压力 (Bar) (Max) Working Pressure	工作温度 (°C) (Max) Working Temperature	滑动速度 (Max) Sliding Speed	页码 Page
---------------	-------------------	----------------------	----------------	-------------------------------	-------------------	--	--	-----------------------------------	------------

液压密封元件 / HYDRAULIC SEALING ELEMENTS


	A124	活塞密封 PISTON SEAL	NBR 金属+弹簧	90 -	活塞 PISTON	60	-30+105	0.5	94-95
	A127	Z型重载活塞密封 HEAVY DUTY PISTON SEAL Z CUTTED	NBR PA+玻璃填充	80 -	活塞 PISTON	800	-30+105	1.0	96-99
	A151	U型杆密封 U-RING ROD	NBR PU	90 92	杆 ROD	160 400	-30+105 -40+100	0.5 0.5	100-105
	A152	重载U型杆密封 HEAVY DUTY U-RING ROD	PU POM NBR	92 - 70	杆 ROD	600	-40+100	0.5	106-109
	A153	U型杆密封 U-RING ROD	PU POM	92 -	杆 ROD	400	-40+100	0.5	110-113
	A154	U型杆密封 U-RING ROD	PU	92	杆 ROD	400	-40+100	0.5	114-123
	A155	杆密封 ROD SEAL	NBR TPE POM	80 - -	杆 ROD	700	-30+105	0.5	124-125
	A156	杆密封 ROD SEAL	NBR 橡胶夹织物 POM	80 - -	杆 ROD	400	-30+105	0.5	126-131
	A157	U型杆密封 U-RING ROD	PU	92	杆 ROD	400	-40+100	0.5	132-135
	A159	杆密封 ROD SEAL	PU NBR	98 70	杆 ROD	500	-30+105	0.5	136-139
	A161	高性能 U型杆密封 HIGH PERFORMANCE U-RING ROD	PU	95	杆 ROD	400	-35+110	0.5	140-145
	A162	高性能重载 U型杆密封 HIGH PERFORMANCE HEAVY DUTY U-RING ROD	PU POM NBR	95 - 70	杆 ROD	600	-30+100	0.5	146-149
	A163	高性能 U型杆密封 HIGH PERFORMANCE U-RING ROD	PU POM	95 -	杆 ROD	400	-30+100	0.5	150-153
	A164	高性能 U型杆密封 HIGH PERFORMANCE U-RING ROD	PU	95	杆 ROD	400	-35+110	0.5	154-163
	A167	高性能 U型杆密封 HIGH PERFORMANCE U-RING ROD	PU	95	杆 ROD	400	-35+110	0.5	164-167

图示 Drawing	ALP 编号 Code	产品名称 Product Name	材料 Material	邵氏硬度 (Shore A) Hardness	用途 Application	工作压力 (Bar) (Max) Working Pressure	工作温度 (°C) (Max) Working Temperature	滑动速度 (Max) Sliding Speed	页码 Page
---------------	-------------------	----------------------	----------------	-------------------------------	-------------------	--	--	-----------------------------------	------------

液压密封元件 / HYDRAULIC SEALING ELEMENTS

	A168	高性能 U 型活塞密封 HIGH PERFORMANCE U-RING PISTON	PU POM	95 -	活塞 PISTON	400	-30+100	0.5	168-169
	A171	高性能 U 型活塞杆密封 HIGH PERFORMANCE U-RING ROD PISTON	PU	95	活塞-杆 PISTON-ROD	400	-35+110	0.5	170-189
	A172	高性能 U 型活塞密封 HIGH PERFORMANCE U-RING PISTON	PU	95	活塞 PISTON	400	-35+110	0.5	190-193
	A181	U 型杆密封 U-RING ROD	NBR	90	杆 ROD	160	-30+105	0.5	194-195
	A209	缓冲密封环 BUFFER RING	PU POM	92 -	杆 ROD	400	-40+100	0.5	196-197
	A269	高性能缓冲密封环 HIGH PERFORMANCE BUFFER RING	PU POM	95 -	杆 ROD	400	-30+100	0.5	198-199

防尘圈 / WIPERS









	A201	防尘圈 WIPER	PU	92	杆 ROD	-	-40+100	1.0	202-203
	A202	防尘圈 WIPER	NBR PU	90 92	杆 ROD	-	-30+105 -40+100	1.0	204-211
	A204	防尘圈 WIPER	NBR PU	90 92	杆 ROD	-	-30+105 -40+100	1.0	212-215
	A205	双唇防尘圈 DOUBLE WIPER	NBR PU	90 92	杆 ROD	-	-30+105 -40+100	1.0	216-219
	A206	重载防尘圈 HEAVY DUTY WIPER	TPE	-	杆 ROD	-	-40+120	1.0	220-227
	A208	双唇防尘圈 DOUBLE WIPER	NBR PU	90 92	杆 ROD	-	-30+105 -40+100	1.0	228-231
	A211	重载刮刀密封圈 HEAVY DUTY SCRAPER SEAL	PA	-	杆 ROD	-	-40+100	1.0	232-233
	A262	高性能防尘圈 HIGH PERFORMANCE WIPER	PU	95	杆 ROD	-	-35+110	1.0	234-241
	A268	高性能双唇防尘圈 HIGH PERFORMANCE DOUBLE WIPER	PU	95	杆 ROD	-	-35+110	1.0	242-245

图示 Drawing	ALP 编号 Code	产品名称 Product Name	材料 Material	邵氏硬度 (Shore A) Hardness	用途 Application	工作压力 (Bar) (Max) Working Pressure	工作温度 (°C) (Max) Working Temperature	滑动速度 (Max) Sliding Speed	页码 Page
---------------	-------------------	----------------------	----------------	-------------------------------	-------------------	--	--	-----------------------------------	------------

导向元件 / GUIDE ELEMENTS





	A251	活塞杆导向环 PISTON ROD GUIDE RING	POM+ 玻璃纤维	-	活塞-杆 PISTON-ROD	-	-40+110	1.0	248-255
	A255	聚酯树脂导向环 POLYESTER RESIN GUIDE RING	聚酯树脂	-	活塞-杆 PISTON-ROD	-	-30+120	1.0	256-259
	A256	酚醛树脂导向环 PHENOLIC RESIN GUIDE RING	酚醛树脂	-	活塞-杆 PISTON-ROD	-	-30+120	1.0	260-263
	ABT	青铜 - PTFE 导向环 BRONZE-PTFE GUIDE STRIP	PTFE + 碳	-	活塞-杆 PISTON-ROD	-	-60+200	15	264-267
	AKT	碳 - PTFE 导向环 CARBON-PTFE GUIDE STRIP	PTFE + 碳	-	活塞-杆 PISTON-ROD	-	-60+200	15	268-269
	APR	聚酯树脂导向环 POLYESTER RESIN GUIDE STRIP	聚酯树脂	-	活塞-杆 PISTON-ROD	-	-30+120	1.0	270-271

PTFE 密封元件 / PTFE SEALING ELEMENTS













	A301	活塞密封 PISTON SEAL	PTFE+青铜 NBR	- 70	活塞 PISTON	400	-30+105	5.0	274-279
	A302	单作用活塞密封 SINGLE ACTING PISTON SEAL	PTFE+青铜 NBR	- 70	活塞 PISTON	400	-30+105	5.0	280-283
	A303	反污染活塞密封 ANTI CONTAMINATION PISTON SEAL	PTFE + 碳	-	活塞 - 杆 PISTON ROD	-	-45+220	5.0	284-287
	A304	旋转杆密封 ROTARY ROD SEAL	PTFE+青铜 NBR	- 70	杆 ROD	300	-30+105	5.0	288-291
	A305	PTFE 防尘圈 WIPER	PTFE+青铜 NBR	70	杆 ROD	-	-30+105	5.0	292-295
	A306	活塞密封 PISTON SEAL	PTFE+青铜 NBR	- 70	活塞 PISTON	400	-30+105	2.0	296-299
	A307	旋转活塞密封 ROTARY PISTON SEAL	PTFE+青铜 NBR	- 70	活塞 PISTON	300	-30+105	5.0	300-303
	A311	杆密封 ROD SEAL	PTFE+青铜 NBR	- 70	杆 ROD	400	-30+105	5.0	304-309

图示 Drawing	ALP 编号 Code	产品名称 Product Name	材料 Material	邵氏硬度 (Shore A) Hardness	用途 Application	工作压力 (Bar) (Max) Working Pressure	工作温度 (°C) (Max) Working Temperature	滑动速度 (Max) Sliding Speed	页码 Page
---------------	-------------------	----------------------	----------------	-------------------------------	-------------------	--	--	-----------------------------------	------------

静态密封元件 / STATIC SEALING ELEMENTS

	A402	法兰密封 FLANGE SEAL	PU	92	-	630	-40+100	-	312-313
	A403	端盖密封 COVER SEAL	PU	95	-	630	-35+110	-	314-315
	A404	端盖密封 COVER SEAL	PU	95	-	630	-35+110	-	316-319
	A405	静态密封 STATIC SEAL	PU	92	-	500	-40+100	-	320-321

气动密封元件 / PNEUMATIC SEALING ELEMENTS

	A801	气动活塞密封 PNEUMATIC PISTON SEAL	NBR 金属 NBR SHEET METAL	80 -	活塞 PISTON	16	-30+105	1.0	324-327
	A802	气动活塞密封 PNEUMATIC PISTON SEAL	NBR PU	80 85	活塞 PISTON	12 16	-30+105 -30+80	1.0 1.0	328-329
	A803	短行程气动活塞密封 SHORT STROKE PNEUMATIC PISTON SEAL	NBR	70	活塞 PISTON	12	-30+105	1.0	330-331
	A804	单作用气动活塞密封 SINGLE ACTING PNEUMATIC PISTON SEAL	NBR 铝	70	活塞 PISTON	12	-30+105	1.0	332-333
	A805	气动活塞密封 PNEUMATIC PISTON SEAL	NBR 铝	70	活塞 PISTON	12	-30+105	1.0	334-335
	A807	气动活塞密封 PNEUMATIC PISTON SEAL	NBR PU	80 85	活塞 PISTON	12 16	-30+105 -30+80	1.0 1.0	336-337
	A808	气动活塞密封 PNEUMATIC PISTON SEAL	NBR	70	活塞 PISTON	12	-30+105	1.0	338-339
	A810	气动活塞密封 PNEUMATIC PISTON SEAL	NBR	70	活塞 PISTON	12	-30+105	1.0	340-341
	A852	气动杆防尘圈 PNEUMATIC WIPER ROD SEAL	PU	92	杆 ROD	16	-30+80	1.0	342-343
	A853	气动杆防尘圈 PNEUMATIC WIPER ROD SEAL	NBR PU	90 92	杆 ROD	12 16	-30+105 -30+80	1.0 1.0	344-345
	A854	重载气动杆防尘圈 HEAVY DUTY PNEUMATIC ROD WIPER	NBR/TPE PU/TPE	80 92	杆 ROD	16 16	-30+105 -30+80	1.0 1.0	346-347
	A855	气动缓震密封 PNEUMATIC CUSHIONING SEAL	PU NBR	92 90	杆 ROD	16 12	-30+80 -30+105	1.0 1.0	348-349





技术参数
Technical Information







1.0. 密封元件材料

1.1. 塑性体（热塑性材料）

这些具有宏观分子结构的材料叫热塑性塑料或工程塑料。

在仔细检查分子结构的基础上、可以看到其与弹性体不同，它不存在交叉链接。虽然本产品系统在系统压力下具有弹力，即它可以反弹回原型、但其弹力仍然弱于弹性体。

聚甲醛，聚酰胺和PTFE（聚四氟乙烯）都是在密封元件中普遍使用的塑性材料。

1.1.1. 聚缩醛（POM）（聚甲醛）

聚缩醛（POM）材料作为液压和气动系统中的支撑环或导向元件使用。

根据POM的用途、我们把POM分为有两种类型，填充填充玻璃纤维的，另一种是不含填充玻璃纤维的。尽管工作温度范围为-40°C至+140°C之间，但超过100°C时仍无法保持稳定。

POM可以安全使用于矿物油、HFA型抗燃液压油和HFB型抗燃液压油。添加玻璃纤维的类型可提供更长的持续接触时间耐压性。

1.1.2. 聚酰胺（PA6，PA6，6）

该材料可以将其尺寸保持在-40°C至100°C之间、可在140°C的峰值温度下使用。

像聚缩醛一样，聚酰胺可用作支撑环和液压气动缸中的导向元件。有含或不含玻璃纤维类型。

1.1.3. PTFE（聚四氟乙烯）

1938年，在DuPONT实验室，博士Roy J. Plunkett Freon在进行一些测试时他偶然发明了一种白色的蜡状物质。经进一步分析，研究显示这种白色物质包含的重要特性极具工业使用价值。

在生产技术上，PTFE，其生产技术类似于粉末冶金，其粉末形式为模压成棒状或管状，并在内部烧结。然而，由于过去15到20年的技术进步，在诸如热塑性塑料，它们已经不那么流行了，因此不太广泛使用。

聚四氟乙烯可用作纯铁，也可在填充料中使用，以提高机械性能。填料对PTFE的主要作用是提高耐挤出性，减少摩擦、减少极端高温条件下的形变。另外，它增加对磨损和硬化的弹性。最重要的填料有；

- 玻璃纤维
- 碳精石墨
- 着色颜料
- 青铜和二硫化钼

1.1.3.1. 玻璃纤维

玻璃纤维填充料的加入使得在宽泛的温度范围下具有抗化学性。它特别耐强碱溶液和氢氟酸。

1.0. SEALING ELEMENT MATERIALS

1.1. Plastomers (Thermoplastics)

These materials with macro molecular structure are called thermoplastics or engineering plastics.

On examination of the molecular architecture, it can be seen that, unlike elastomers, there are no cross links present. Although this product is resilient under system pressure, that is to say it is able to return to its original form, its performance is lower compared to elastomers.

Polyacetal, polyamide and PTFE (teflon) materials are generally used plastomers in sealing elements.

1.1.1. Polyacetal (POM) (Polyoxymethylene)

These are used as back-up rings or guiding element materials in hydraulic and pneumatic systems.

There are two types of POM, filled with or without fibreglass, depending on their use. Despite working temperatures ranging from -40°C to +140°C, real dimensions can not remain stable in excess of 100°C.

It can be used safely with mineral oils and HFA, HFB type oils. Types with added fibreglass provide longer lasting contact pressure resistance.

1.1.2. Polyamide (PA6, PA6, 6)

This material can be used at peak temperature of 140°C and can retain its dimensions between -40°C and 100°C.

Like polyacetals, polyamids can be used as back-up rings and guiding elements in hydraulic-pneumatic cylinders. They are available with or without fibreglass.

1.1.3. PTFE (Teflon)

In 1938, in the DuPONT Laboratories, D.r. Roy J. Plunkett Freon happened upon a white waxy substance whilst carrying out some tests. On further analysis, the culmination of the research revealed that the substance contained important qualities for use in industry.

In production technology, PTFE, whose production technique resembles that of powder metallurgy, in its powdered form is moulded as rods or tube and sintered in oven. However, as a result of technological progress over the last 15-20 years, injection and extrusion methods are used on materials such as thermoplastics, which have become less popular, and therefore less widely used.

Teflon can be used as virgin, or used within fillers in order to improve mechanical performance. The fillers effects on PTFE are to improve extrusion resistance, reduce friction and form changes under extreme heat conditions. In addition, it increases resilience to attrition and hardening.

The most important fillers are;

- Fibreglass,
- Carbon-graphite,
- Colouring pigments,
- Bronze and molybdenum disulfide.

1.1.3.1. Fibreglass

Fibreglass filler provides chemical resistance in a wide range of working temperatures. It is especially resistant to powerful alkaline solutions and hydrofluoric acids.

1.1.3.2. 碳精石墨

提高耐磨性和硬度。碳精石墨材料特氟龙可防止机加工期间刀具刀片上的快速磨损,并提供高耐压性。

1.1.3.3. 二硫化钼

提高硬度并降低摩擦力。与其他填料一起使用。

1.1.3.4. 青铜

青铜的加入提高耐热性,高压抗压稳定性于抗挤强度。它是液压系统应用中最应优先采用的填充料。

1.2. 弹性体

这些与塑性体的不同之处在于大分子结构包含交联。这一特性使得弹性体成为最卓越的粘弹性产品。这些产品必须同时具有流动性和弹性。弹性体是从橡胶树的树液中提取的,该树液是通过渗透树皮而提取的并被收集并用硫改性。

在室温下恢复到原始尺寸之前可以拉伸到原始尺寸两倍的材料称为聚合弹性体产品。

宏观分子交叉链接可以在加热加压的影响下生成。这一过程叫做硫化过程(交叉链接反应过程)。它给予了物质完美的弹性特性。

最常用的弹性体材料阐释如下。

1.2.1. 丁腈橡胶 (NBR)

丁腈橡胶是一种广泛使用的丁二烯和丙烯腈橡胶聚合物。

ALP 密封元件公司定睛橡胶 NBR 的丙烯腈(ACN) 的含量从30%至50%。丁腈橡胶的工作温度在 -30°C 到 +105°C之间(最高温度为+130°C 也可短期工作)在上述的工作温度下以及在各种不同的工作条件下、显现出极高的耐油性。例如矿物油(H, H-L和 H-LP型润滑油) 以及润滑脂和矿物基耐火油(HFB和HFC类油), 植物油和有机油以及脂族烃(丙烷, 丁烷, 汽油)等。显现出极高的耐油性。

强烈不推荐用于芳族烃(苯, 三氯乙烯, HFD型耐火性油), 不能用于含有乙二醇和醚类物质的刹车液压系统中。

1.2.2. 氢化丁腈橡胶 (HNBR)

HNBR橡胶, 是完全或部分经过氢化的NBR标准聚合物与双联丁二烯。它的耐化学性类似于NBR。HNBR橡胶, 是完全或部分经过氢化的NBR标准聚合物与双联丁二烯。如果是用过氧化物硫化, 工作温度和机械耐久性可以延长。工作温度范围为-30°C至 + 130°C之间。

1.2.3. 氟橡胶 (FKM)

它可抵抗-30°C至+ 225°C的任何类型的油脂和溶剂。在低气体传输系统中可以获得更好的结果。它对各种化学药品(特别是油脂, 燃料, 脂肪族和芳香族碳氢化合物, 某些耐火油) 具有良好的抵抗力。

1.2.4. 硅胶 (MVQ)

有机硅对臭氧, 空气和石油具有很高的抵抗力。它可在-60°C至 + 200°C的温度范围内保护其特性。但是, 它对氧化油, 某些准双曲面和E.P型油的抵抗力较差。

1.1.3.2. Carbon-Graphite

It improves resistance to wear and hardness. Teflon filled with Carbon-Graphite prevents quick wear on tool inserts during machining and provides high pressure resistance.

1.1.3.3. Molybdenum di Sulphite

Improves hardness and reduces friction force. It is used with the other fillers.

1.1.3.4. Bronze

Improves thermal resistance, high pressure stability and extrusion resistance. It is the most preferred filler for hydraulic applications.

1.2. ELASTOMERS

These differ from plastomers in the respect that the macro molecular structure comprises of cross links. Due to this characteristic, these are highly superior visco-elastic products. These products need to contain the properties of both liquidity and elasticity. Elastomers are derived from the sap of the rubber tree, which is extracted by penetrating the bark, and is collected and modified with sulphur.

Materials which can be stretched to twice their original size before returning to their original dimensions at room temperature are called polymeric elastomer products.

Macro molecular cross links can be produced with the effect of heat and pressure. This process is called vulcanization (cross link reaction) and gives the material its perfect elastic properties.

The most commonly used elastomers are explained below;

1.2.1. Nitrile (NBR)

Nitrile is a widely used nitrile butadiene and acrylo nitrile polymer.

Alp Seals NBR formulas contain between 30% and 50% acrylo nitrile (ACN). Our NBR which has a working temperature between -30°C and +105°C (peak temp. at +130°C) show extremely high resistance under different working conditions such as mineral oils (H, H-L and H-LP type lubricating oils) and grease and mineral based fire resistance oils (HFB and HFC group oils), vegetable and organic oils, and aliphatic hydrocarbons (propane, butane, petrol)

Strongly not recommended for aromatic hydrocarbons (benzene, trichloroethylene, HFD type fire resistance oils), glycol and ether contained break hydraulics.

1.2.2. Hydrogenated Nitrile Butadiene Rubber (HNBR)

HNBR rubber, is a fully or partial hydrogenated standard NBR polymer with double linked butadiene. Its chemical resistance is similar to NBR. If it is vulcanized with peroxides, working temperature and mechanical durability can be extended. Working Temperature Range is between -30°C to +130°C.

1.2.3. Viton (FKM) (FLUOREL ELASTOMER)

It is resistant to any type of grease oil and solvent between -30°C and +225°C. Better results can be obtained in low gas transfer systems. It has a good resistance to a range of different chemicals (especially greases, fuels, aliphatic and aromatic hydrocarbons, some fire resistant oils).

1.2.4. Silicone (MVQ)

Silicone which is highly resistant to ozone, air and oil, protects its characteristics between -60°C and +200°C. Yet, it has poor resistance to oxidised oils, some of hypoid and E.P type oils).



1.2.5. 氯丁橡胶 (CR)

CR是氯丁二烯聚合物。它对空气，臭氧和火焰具有抵抗力。因此，它用于需要同时耐油，耐空气和臭氧的应用中。

例如: 在汽车行业，氯丁橡胶材料被用于制造连杆和连杆尾部曲轴箱通风管。工作温度范围为 -45°C到+ 105°C

1.2.6. 三元乙丙橡胶 (EPDM)

工作温度范围:-40°C到+ 145°C。它对磷酸盐，酯类流体，汽车刹车油，水和蒸汽都具有优异的抗耐性。

1.2.7. 丁苯橡胶 (SBR)

丁苯橡胶 (SBR) 是 丁二稀和苯乙稀的共聚体，它对于乙二醇的汽车刹车油，无机酸，化工产品和酒精具有良好的抗耐性。它经常与其它弹性体橡胶混合在一起使用(例如混合天然橡胶)。工作温度范围为 -50°C到+ 100°C。

1.2.8. 聚氨酯 (PU)

PU材料是用注射技术模压而成的、它拥有优异的机械特性。工作温度范围:-30°C至100°C。它具有出色的机械性能，例如高拉伸强度，耐磨性，撕裂强度和抗挤出性。

1.2.9. 天然橡胶 (NR)

NR由橡胶树生产、工作温度范围为 -60°C 到100°C。它可以当高机械性和弹性是必要的（例如，振动吸收块等）一起使用。

1.3. 热塑性弹性体 (TPE)

工作温度范围为-40°C到+ 120°C之间。由于TPE材料的高抗矿物油性和高抗拉强度，它被广泛应用于多种组合的液压气动系统中。

1.2.5. Neoprene (CR)

CR is a chlorobutadiene polymer. It is resistant to air, ozone and flame. It has good resistance to mineral oils with high aniline points and greases. Thus, it is used in applications which need to be resistant both to oils and air and ozone at the same time.

For example; rod and rod end bellows in automotive sector are produced from neoprene materials. Working Temperature Range: -45°C to +105°C.

1.2.6. Ethylene Propylene Rubber (EPDM)

It has excellent resistance to phosphate, ester fluids, automotive break fluids, water and steam. Working Temperature Range: -40°C to +145°C

1.2.7. Styrene Butadiene Rubber (SBR)

It has good resistance to glycol based automotive break oils, inorganic acids, base chemicals and alcohol. Often used with other elastomers e.g. natural rubber. Working Temperature Range: -50°C to +100°C

1.2.8. Polyurethane (PU)

PU is moulded with injection techniques. It has excellent mechanical properties such as high tensile strength, wear resistance, tear strength, and extrusion resistance. It offers a good resistance to air, ozone, mineral oils, grease and aliphatic hydrocarbons. Working Temperature Range: -30°C to 100°C.

1.2.9. Natural Rubber (NR)

NR is produced from rubber tree. It can be used when high mechanical resistance and elasticity is necessary (for example, vibration absorber blocks etc.). Working Temperature Range: -60°C to 100°C.

1.3. THERMOPLASTIC ELASTOMERS (TPE)

TPE materials are widely used in hydraulic-pneumatic applications with a variety of combinations due to their high resistance to mineral oils and high tensile strength. Working temperature is between -40°C and +120°C

2.0. 液压系统常用介质

这类符合DIN 51524标准的油类在液压系统中经常使用。它分为五大系列。

2.0. COMMONLY USED MEDIAS FOR HYDRAULIC SYSTEMS

These oils, which comply with the DIN 51524 standards, are commonly used in hydraulic systems. There are 5 different categories.

DIN 51524矿物油 / DIN 51524 MINERAL OILS				
介质 MEDIA	标准 STANDARD	规格说明 SPECIFICATIONS	适用范围 APPLICATION AREA	国际代号 INTERNATIONAL TERMINOLOGY
H-L型润滑油 H-L Type Oils	DIN-E 51524 部分一	油中含氧化抑止剂和防锈剂成本 Contains oxidation retardant and rustproofing agent.	一般用途 General Usage	HL
H-LP 型润滑油 H-L Type Oils	DIN-E 51524 部分二	除H-L型油外油中增加抗磨剂 H-L Type oils are added to prevent abrasion.	高压系统 High Pressure Systems	HM
H-V 型润滑油 H-V Type Oils	DIN-E 51524 部分三	除H-LP型油外，它还包含热稳定添加剂 H-LP Type oils are added as a heat regulating agent.	温度变化大的系统 Various Temperature Systems	HV
H-LPD 润滑油 H-LPD Type Oils	—	H-LP 油中含有少量的去污剂和水 H-LP Type oils contain only a limited amount of detergent and water.	使用水的过程 - 许有沉淀物的系统 Processes in which water is used - Prevents the build up of deposits	—
H-D 机油 H-D Motor Oils	API-CC API-CD API-SE	增加抗磨用的氧化和防锈剂 Oxidisation and rustproofing agent which reduces abrasion.	移动液压系统 Mobile Hydraulic Systems	—

表 1 / Table - 1

但是，液压系统中通常不可能一直都使用矿物油。选择适当的密封件时，决定介质的类型就非常重要。下面的表格列出常用的介质类型以及它们各自应用的领域。

However, it may not always be possible to use mineral oils in hydraulic systems. It is important to consider the type of media being used when choosing the appropriate seals. The table below shows commonly used media types and the areas in which they are used.

材料 MATERIAL	抗燃液压油 -VDMA 24317 或 DIN 24320 标准 Inflammable Hydraulic oils - VDMA 24317 or DIN 24320 standards			
	HFA	HFB	HFC	HFD
70 NBR	55	60	60	—
80 NBR	55	60	60	—
90 NBR	55	60	60	—
70 FKM	55	60	60	150
80 FKM	55	60	60	150
90 FKM	55	60	60	150
80 PU	40	40	40	—
90 PU	40	40	40	—
PTFE	—	—	—	—
TPE	40	40	40	—
POM	55	60	60	80

表 2 / Table - 2

3.0. 密封机理

如果要在液压系统中两个不同区域之间产生压力差, 则必须进行密封。

3.0. SEALING MECHANISM

If we want to create a pressure difference between two different areas in hydraulic systems, the necessity of sealing arises.

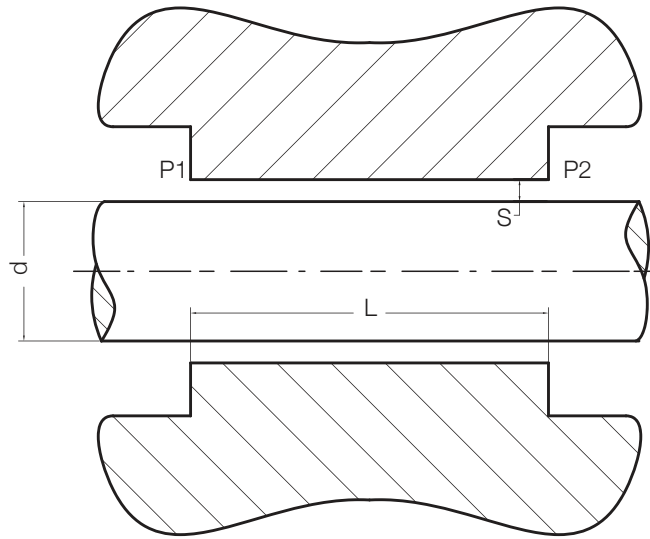


图 1 / Figure - 1

如图1所示, 根据所需的压差, 在杆和缸之间的间隙内会发生泄漏。

这里压差,

$$\Delta P = P1 - P2$$

从“S”间隙的油流量, 将

$$Q = \pi \cdot d \cdot \Delta P \cdot S^3 / 12 \cdot \mu \cdot L$$

Q = 流量 μ = 粘度

在实际应用中, 活塞杆两侧之间的“S”间隙并不总是相等的。由于径向力, 一侧可能会过度接触。这意味着“S”间隙将在一侧增大。

如果我们看上面的公式, “S”间隙显示出两倍的增加, 与立方体成正比, 因此导致合格油率增加了八倍。实际上, “S”间隙的生产公差不能设置为零。

因此, 如果不需要泄漏, 则我们必须在此部分使用密封元件。

由弹性体材料制成的密封件通常用于此类应用。在分析密封件的工作方式时, 我们可以在图2中看到O型圈作用背后的逻辑。图中所示的O型圈是动态的, 并用作杆密封元件。根据一般原理, 被装配到槽之后, 必须在沟道中保持足够的空间量。

当系统处于无压力状态时, 由于其设计的原因, 已组装的O型圈会在杆上施加压力。我们称其为预加载。预加载对于在无压条件下提供密封至关重要。

在对系统加压时, 必须有一种结构, 该结构可使压力介质直达密封元件外壳。这种开始填充密封元件沟道的压力介质会通过使密封材料膨胀而导致施加在静态和动态表面上的压力增加。

As seen in Figure-1, depending on the required pressure difference, a leakage occurs within the gap between rod and cylinder.

Where, pressure difference = ΔP

If $\Delta P = P1 - P2$

Q, the oil flow rate from “S” gap, will be

$$Q = \pi \cdot d \cdot \Delta P \cdot S^3 / 12 \cdot \mu \cdot L$$

Where, Q = Flow rate μ = Viscosity

In real applications, the “S” gap between both sides of the piston rod is not always equal. Due to radial forces there may be excessive contact on one side.

This means that the the “S” gap will increase on one side.

If we look at the formula above, the “S” gap shows a twofold increase which is proportional to the cubed volume therefore resulting in an eightfold increase in passing oil rate.

In practice, it is not possible to set the production tolerances of the “S” gap at zero.

Therefore, if a leakage is not desired, we are obligated to use a sealing element in this section.

Seals made of elastomer materials are generally used in this kind of applications. When analysing the way in which seals work, we can see in Figure-2 the logic behind the role of the O-ring.

The O-ring illustrated in the diagram is depicted as being dynamic and functions as a rod sealing element. According to the general principle, after being fitted into the groove, a sufficient amount of space must remain in the groove.

When the system is in unpressurised condition, assembled O-ring, because of its design, applies a pressure on the rod. We call this a pre-load. Pre-load is essential to provide sealing in unpressurised conditions.

When the system is pressurised, there must be a construction which allows the pressured media through as far as the sealing element housing.

This pressured media which starts to fill the sealing element groove, leads to an increase in pressure force applied on static and dynamic surfaces by expanding the seal material. In this way, sealing is obtained.

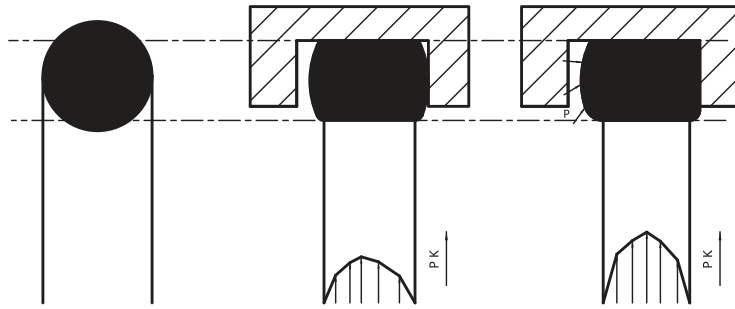


图 2 / Figure - 2

在图3的下方, 可以看到FEA (有限元分析) 的结果。在此分析中, 已数字化地模拟了O型圈的工作。不同的颜色用来使我们看到了关键负载下清楚材料的变形。

我们不应该忽略这一事实, 即临界荷载会增加, 密封材料会粘稠。例如, 由于系统未加压部分的一侧空间, 可能存在泄漏问题。因此, 在设计密封件时, 密封件制造商应格外小心, 而液压活塞制造商应在选择正确的密封件产品时更加注意以提高其最终产品的质量。

如果不存在密封件和槽之间足够的空间, 加压介质不能扩展, 这将导致过量的摩擦力的密封元件的材料和密封件将暂时变形从而形成防漏。

Below in Figure-3 the result of fea (finite element analysis) can be seen. In this analysis, the working of an O-ring has been simulated digitally. The different colours used enable us to see clearly material deformation under critical loads.

We should not ignore the fact that this critical loads can increase and sealing materials can be viscosed i.e. there can be leakage problem because of the space on one side in the unpressurised part of the system. Therefore, seal manufacturers should show particular care when designing seals and hydraulic piston manufacturers should pay more attention in choosing the right seal product to improve the quality of their end product.

If there is not enough space between seal and groove, pressured media can't expand the sealing element material which will cause excess friction forces and the seal will temporarily be deformed thus creating a leak.

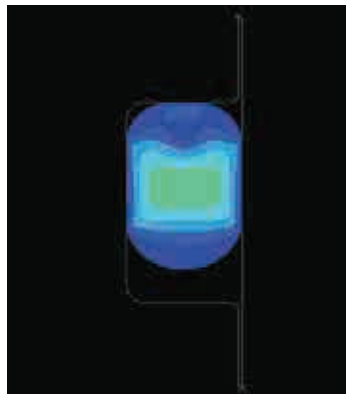


图 3 / Figure - 3

3.1. 静态密封

由密封元件中的接触压力的增加将减少在静密封油泄漏。在其最佳水平的接触压力将完全停止漏油。当然, 与此同时, 一个不可忽视的重要因素是施涂表面的粗糙度。自然, 高粗糙度值需要更高的接触压力。

密封材料在不同的工作温度下会产生不同的弹性和压缩永久变形结果。因此, 温差可能会产生非常重要的功能差异。特别是低温, 可能导致密封材料失去弹性并变硬, 从而导致密封无法正常工作。

3.1. STATIC SEALING

The increase in the contact pressure by the sealing element will reduce oil leaks in static sealing. Contact pressure in its optimum level will stop oil leaks completely. Of course in the meantime, an important factor which must not be ignored is the roughness of the application surfaces. Naturally, high roughness values require higher contact pressure.

Sealing materials will give different elastic and compression set results under different working temperatures. Therefore, temperature differences may create really important functional differences. Low temperatures, in particular, may cause sealing materials to lose elasticity and become hard, resulting in the seal failing to work.

3.2. 动态密封

在检查动态密封时, 应查看工作原理, 该原理由流量公式解释;

$$Q = \pi.d. \Delta P.S^3 / 12.\mu.L$$

在此公式中, 杆是静态的, 压力正在减小。如果杆是动态的并且压力没有降低。

$$Q_1 = \pi.d.S.V/2$$

V=流量可以通过V=速度公式来计算

如果活塞与压力方向上移动,

$$Q_{\text{动态}} = Q+Q_1$$

亦即

$$Q_{\text{动态}} = \pi.d (\Delta P.S^3 / 12. \mu.L \pm V.S / 2)$$

3.2. DYNAMIC SEALING

While we inspect dynamic sealing, we should look at the working principle which is explained by the flow formula;

$$Q = \pi.d. \Delta P.S^3 / 12.\mu.L$$

In this formula, the rod is static and pressure is decreasing. If the rod is dynamic and pressure is not decreasing,

$$Q_1 = \pi.d.S.V/2$$

Flow rate can be calculated with V= speed formula.

If the piston is moving with the pressure direction,

$$Q_{\text{dynamic}} = Q+Q_1$$

That is to say,

$$Q_{\text{dynamic}} = \pi.d (\Delta P.S^3 / 12. \mu.L \pm V.S / 2)$$

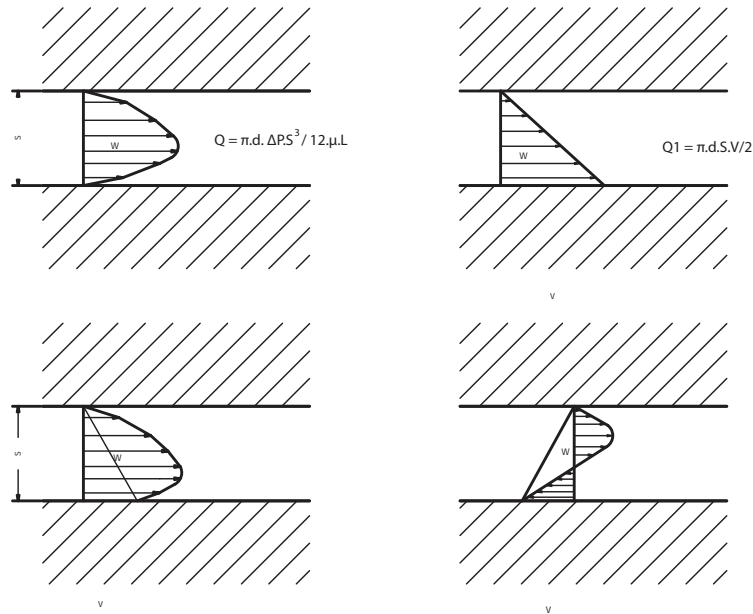


图 4 / Figure - 4

在这种公式化中, 速度和方向的速度将非常重要。另一方面, 如果S间隙由于径向力而不平行, 则会在局部产生额外的压力 (流体动力压力)。

因为在微观尺寸这一效果时, 力将在密封和动态表面之间的流体动力油膜来创建。该油膜只有几微米厚。

此油膜厚度正比于移动的方向。因此, 不可能在动态应用程序上安装无泄漏的系统。但是, 根据应用类型和密封几何形状, 可以减小或增加油膜厚度。

In this formulation speed and direction of the speed will be of great importance. On the other hand, if S gap is not parallel because of radial forces, extra pressure will be created locally (hydrodynamic pressure).

Because of this effect in microscopic size, force will be created in the hydrodynamic oil film between seal and dynamic surface. This oil film is only a few micron thick.

This oil film thickness is proportional to direction of the movement. Consequently, it is not possible to have leak free systems on dynamic applications. Nevertheless, oil film thickness can be decreased or increased depending on application type and seal geometry.

3.3. 摩擦力

如上所述, 由于油膜厚度的滑动, 无法用经典的摩擦力定律来解释摩擦力。

1. 静电 (干摩擦)
2. 混合摩擦 (干摩擦和介质摩擦)
3. 介质摩擦 (没有干接触)

当动态运动开始时, 会产生高摩擦力, 这会导致混合摩擦, 从而导致摩擦力立即降低。之后, 油膜厚度开始滑动。随着速度的增加, 摩擦力线性增加。

3.3. FRICTION FORCE

Friction force is not possible to be explained with classic friction force laws because of a slide on oil film thickness as explained above. 3 different friction forces occur because of the oil film:

1. Static (dry friction)
2. Mixed friction (dry and media friction)
3. Media friction (there is not any dry contact)

When the dynamic movement starts, a high friction force arises which leads to a mixed friction, resulting in the immediate decrease in friction force. After this, media friction i.e. a slide on oil film thickness begins. As the speed increases, so the friction force increases linearly.

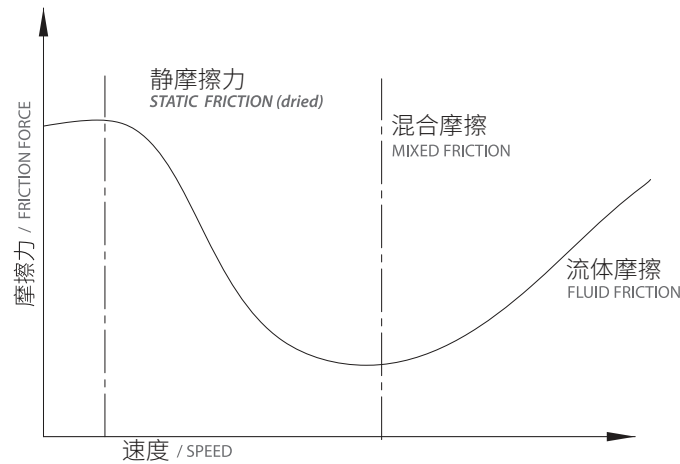


图 5 / Figure - 5

油膜厚度与系统速度, 并直接向媒体粘度。影响摩擦力的两个最重要的因素是系统压力和温度。不合适的摩擦力会导致局部高温, 并导致密封失效和损坏。

同时, 由于油膜厚度的撕裂和不适当的表面粗糙度值的影响而导致磨损, 从而导致泄漏。

The oil film thickness is related to the system speed and directly to media viscosity.

Two most important factors that affect the friction force are system pressure and temperature.

Unsuitable friction forces create local high temperature and will result in seal failure and breakdown.

At the same time wear arises because of the tears in oil film thickness and with the effect of unsuitable surface roughness values, which results in leakage.

4.0. 密封元件的绘制和测量技术

因为密封元件通常由弹性体通过模制技术制成，所以测量技术与机械工程的技术不同。例如，在机械工程中通常仅测量圆形产品的内径和外径。

这种类型的测量适用于机械加工技术。但是，由于密封产品的弹性形式，因此无法使用普通的测量工具（如卡尺，千分尺）进行测量。

下面技术图纸中所示的测量将使产品测量更加容易。在该技术附图中，已经提供了直径长度。与钢材相比，尺寸公差更大。

因此，认为测量误差将保持在公差范围内是没有错的。我们可以看到密封元件的所有其他尺寸尺寸都在横截面上。

借助密封元件的样品横截面并借助轮廓投影仪或显微镜等测量设备即可轻松进行测量

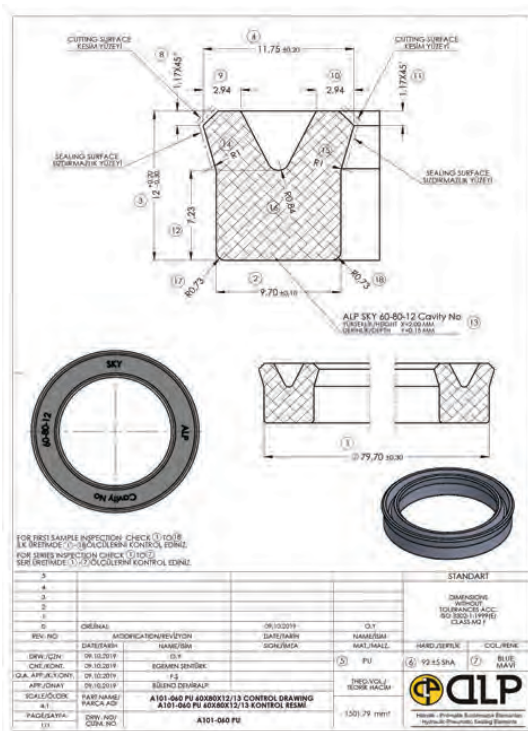


图 6 / Figure - 6

4.0. SEALING ELEMENT DRAWING AND MEASUREMENT TECHNIQUES

Because the sealing elements are produced generally from elastomer with a moulding technique, measurement technique is different from that of mechanical engineering. For example, only the inner and outer diameters of a circular product are commonly measured in mechanical engineering.

This type of measurement is suitable for machining technology. However, it is not possible to take measurements with ordinary measurement tools (like callipers, micrometers) on seal products because of their elastic form.

Measurements which are illustrated in technical drawings below will afterwards enable easier product measurement. In this technical drawing, a diameter length has been provided. The dimensional tolerance is bigger compared to steel products.

Because of this reason, it would not be wrong to think that measurement mistakes will stay within tolerance. We can see that the all other dimensional measures of the sealing element are on the cross section.

Measurement would be made easily with a sample cross section from the sealing element and with the help of a measurement device like a profile projector or microscope.

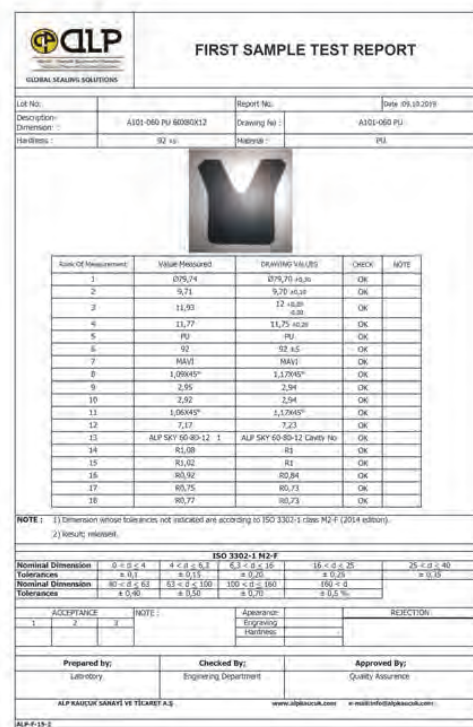


图 7 / Figure - 7

在下表中，可以看到弹性体产品的允许公差（ISO 3302-1 1999 版）。在此表的此处，使用了世界级密封元件制造商使用的 M2-F 类色谱柱。应当牢记，这些公差表示最大数值。另一个要点是，并非总是需要使用该表中所述的 ± 偏差值。密封件设计者始终考虑密封件的工作条件，然后确定公差在允许范围内。

In the table below, permissible tolerances for elastomer products (ISO 3302-1 1999 edition) can be seen.

Here in this table, Class M2-F column is used which is used by world class sealing element manufacturers. It should be kept in mind that these tolerances demonstrate the maximum figures. Another important point is that and it is not always necessary to use ± deviation values as stated in that table. Seal designers always take into account working conditions of the seal and then decide on + or - tolerance staying within the permissible dimensions.

表 3 - 弹性体中允许的公差				TABLE-3-TOLERANCES FOR ELASTOMER					
标称尺寸	M1级		M2级		M3级		M4级		
NOMINAL DIMENSION	F	C	F	C	F	C	F	C	
尺寸允许偏差 (mm) / Permissible deviations of dimensions in mm									
≤ 6,3	± 0,10	± 0,10	± 0,15	± 0,20	± 0,25	± 0,40	± 0,50	± 0,50	
6,3 < ≤ 10	± 0,10	± 0,15	± 0,20	± 0,20	± 0,30	± 0,50	± 0,70	± 0,70	
10 < ≤ 16	± 0,15	± 0,20	± 0,20	± 0,25	± 0,40	± 0,60	± 0,80	± 0,80	
16 < ≤ 25	± 0,20	± 0,20	± 0,25	± 0,35	± 0,50	± 0,80	± 1,00	± 1,00	
25 < ≤ 40	± 0,20	± 0,25	± 0,35	± 0,40	± 0,60	± 1,00	± 1,30	± 1,30	
40 < ≤ 63	± 0,25	± 0,35	± 0,40	± 0,50	± 0,80	± 1,30	± 1,60	± 1,60	
63 < ≤ 100	± 0,35	± 0,40	± 0,50	± 0,70	± 1,00	± 1,60	± 2,00	± 2,00	
100 < ≤ 160	± 0,40	± 0,50	± 0,70	± 0,80	± 1,30	± 2,00	± 2,50	± 2,50	
尺寸允许偏差 (%) / Permissible deviations in (%)									
160 <	0,30		0,50		0,80		1,50	1,50	
提取从 ISO 3302-1 (1999 版) / Extract from ISO 3302-1 (1999 EDITION)									

表 3 / Table - 3

表4 - 在PTFE或热塑性塑料产品中使用的公差		TABLE 4-TOLERANCES FOR MACHINED PARTS IN PTFE OR OTHER THERMOPLASTICS	
标称尺寸 NOMINAL DIMENSION	根据DIN 7168的公差 "MEDIUM" TOLERANCE ACCORDING TO DIN 7168 "MEDIUM"	有限的工作主要公差 RESTRICTED WORKS TOLERANCES	
≤ 6	± 0,1	0,10	
6 < ≤ 30	± 0,2	0,15	
30 < ≤ 65	± 0,3	0,20	
65 < ≤ 120	± 0,3	0,30	
120 < ≤ 200	± 0,5	0,40	

摘自DIN7168 / Extract from DIN 7168

表 4 / Table - 4

5.0. 液压缸设计标准

密封元件的工作原理涉及很多因素。忽略任何这些因素都可能增加设计错误的可能性。液压缸具有不同的工作条件。例如，在注塑机和加载器使用的气缸都具有在材料和密封元件的方面具有不同的密封设计标准。

选择密封元件时应考虑四个主要变量。

1-温度

选择合适的密封元件时应考虑介质和工作条件温度。

2.压力

选择合适的密封元件时，应考虑系统压力和压力类型。

3.滑动速度

选择合适的密封件时应考虑系统的滑动速度。

4.介质类型

选择合适的密封元件时应考虑介质类型

与这四个主要变量有关的技术值可以在我们的技术目录中找到每个密封元件。除了这四个主要标准外，还有其他变量也会影响液压缸的工作。我们公司视以下条件为最重要的条件。

5.工作条件

这是液压缸设计中最重要变量之一。这个阶段有太多因素值得关注。

主要因素如下；

5.1. 在开放或封闭区域内工作以及肮脏的工作条件是选择刮水器的最重要标准。冬季在室外工作条件下，可能有必要将刮冰器用于气瓶

5.2. 在决定液压缸设计时，应考虑影响液压缸的径向载荷和工作位置。应当防止雨滴进入外部工作条件下的垂直工作液压缸。

5.0. DESIGN CRITERIA IN HYDRAULIC CYLINDERS

There are so many factors involved in sealing elements working principle. Ignoring any of these factors could increase the possibility of a design mistake. Hydraulic cylinders have different working conditions. For example, the cylinder used in injection machine and loader both have different seal design criteria in terms of material and sealing elements.

Four main variables should be taken into account while choosing a sealing element.

1. Temperature:

Media and working condition temperature should be considered when choosing suitable sealing element.

2. Pressure:

System pressure and pressure type should be considered when choosing suitable sealing element.

3. Sliding Speed:

System sliding speed should be considered when choosing suitable sealing element.

4. Media:

Media type should be considered when choosing suitable sealing element.

The technical values related to these 4 main variables can be found in our technical catalogue for each sealing element. Apart from these 4 main criteria, there are other variables which also affect the working of hydraulic cylinders. Alp Seals consider these following conditions to be the most important ones.

5. Working Conditions

This is one of the most important variables for hydraulic cylinder design. There are so many factors on this stage which deserve attention.

Main factors are as follows;

5.1. Working in an open or closed area and dirty working conditions are most important criteria for choosing a wiper. It may be necessary to use an ice scraper in winter for cylinders in outside working conditions.

5.2. Radial loads and working positions that affect hydraulic cylinders should be taken into consideration when deciding on the hydraulic cylinder design. For example; rain drops should be prevented from entering into the vertical functioning hydraulic cylinders that are in outside working conditions.

6.0. 表面粗糙度

表面粗糙度是使密封元件以期望的效率工作的重要参数。特别地, 动态密封元件的唇部设计成通过在油膜厚度上滑动来提供密封。油膜厚度会积极影响密封元件的滑动速度和寿命。滑动表面的高粗糙度会导致密封元件因撕裂油膜厚度而产生干摩擦。这是不希望的情况。特别是应该接触和打磨接触密封元件的动态表面, 以获得所需的粗糙度值。

表面粗糙度由称为轮廓仪的设备以 (μm) 表示。表面粗糙度的测量和计算如下所示。

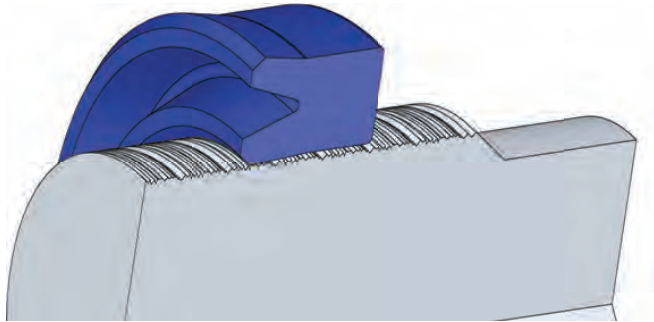


图 8 / Figure - 8

Ra = 平均粗糙度值

绝对值的算术平均值

Rmax = 最大粗糙度值

它是在测量线的最大表面粗糙度值

Rz = 取平均值的粗糙度值

它分别显示了五个连续且不同的组的表面粗糙度深度的算术平均值 (从Z1到Z5)。

$$Rz = (Z1 + Z2 + Z3 + Z4 + Z5) / 5$$

根据其生产方法, 表面粗糙度应在下表所示的值之间。

DIN 4766 T1 (3.81)

生产法 METHOD OF PRODUCTION	表面粗糙度值 (μm) / SURFACE ROUGHNESS VALUE													
	0,04	0,06	0,1	0,16	0,25	0,4	0,63	1	1,6	2,5	4	6,3	10	
磨削 GRINDING														
珩磨或抛光 HONNING														

公差 / TOLERANCES

表 5 Table - 5

公差:是可以允许的最高和最低度量之间的差异。影响密封元件以期望的效率工作的重要因素之一是密封壳体, 杆和管的公差。不合适的公差可能会导致系统严重问题, 并影响密封元件的使用寿命。

ISO公差系统用于液压缸和气压缸。

6.0. SURFACE ROUGHNESS

Surface roughness is an important parameter for sealing elements to work at desired effectiveness. Especially the lip part of the dynamic sealing elements are designed to provide sealing by sliding on an oil film thickness. This oil film thickness affects the sliding speed and life of the sealing element in a positive way. A high roughness of the sliding surface causes the exposure of the sealing element to dry friction by tearing the oil film thickness. This is an undesirable situation. Particularly the dynamic surfaces that touch the sealing element should be honned and grinded in order to obtain desired roughness value.

Surface roughness is measured by a device called profilometer in terms of (μm). The measurement and calculation of the surface roughness is shown below.

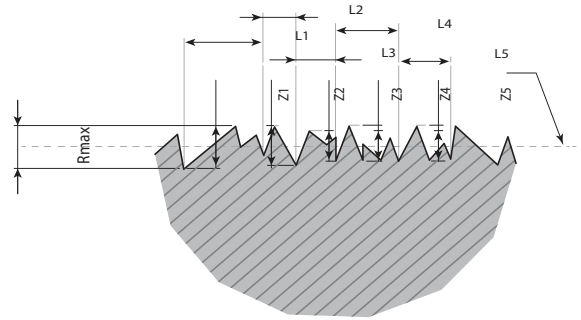


图 9 / Figure - 9

Ra = Average Roughness Value

Arithmetic average of absolute values.

Rmax = Maximum Roughness Value

It is the maximum surface roughness value on the measuring line

Rz = Roughness Value of which average is taken

It shows the arithmetic mean of surface roughness depth separately (from Z1 to Z5) of five consecutive and different groups.

$$Rz = (Z1 + Z2 + Z3 + Z4 + Z5) / 5$$

Depending on their production method, surface roughness should be between the values indicated in the table below.

Tolerance: It is the difference between the highest and the lowest measures that can be allowed. One of the important factors that affect the working of the sealing element at desired effectiveness is the tolerances of the seal housing, rod and tube. Unsuitable tolerances may cause serious problems in the system as well as affect the life cycle of the sealing element.

ISO tolerance system is used in hydraulic and pneumatic cylinders.



7.0. 液压缸常见问题

7.1. 油中空气

油中的空气问题主要出现在移动液压系统中。这些包括三个重要作用，例如喷射切割作用，柴油作用和空化作用。

7.1.1. 射流切割效果

空气可溶于或不溶于介质。所有液压油中都有分子可溶的空气。气体分子可能混合或与油分子结合。根据介质的类型，可溶空气的速率会有所不同。油压能力，粘度和可加工性特征将不受可溶性空气的影响。

不溶的空气会导致机油行为不稳定，尤其是在低压（约60 bar）下。例如，作为介质的速度增加时，气泡将被分散在不同的距离。

如果加压介质中包含不溶性空气，则该空气将被加压并进入密封槽。随后，当压力降低时这些气泡将被释放，这导致了通过空气膨胀带来的巨大能量的散发。结果，金属表面受到影响并且表面粗糙度增加。

由于这些爆炸如果密封元件上的裂纹在气缸的方向的结果是，这些小的通道造成的喷嘴的效果。随着机油速度的增加，它会在这些喷嘴产生喷射效应，并导致这些零件的割伤。同时，油分子以高速通过密封，向后穿透并磨损其背面。如果机油中有太多不溶性空气，这种膨胀可能会将密封件撕裂一半。这种类型的损坏通常会与已经浸渍在橡胶溶液中橡胶织物制品发生。原因是，这些产品除了均质的橡胶密封件外，还具有太多的孔隙率和空气传递性。

在设计阶段，可以通过增加沟道的尺寸来阻止此类损坏。造成这种损坏的真正原因是泄漏的压缩空气从密封件后面渗透而不是挤出。加压空气气泡损伤密封元件时，他们通过被吸收也通过均化弹性体密封元件膨胀。如果卸下这些密封以进行检查，则在液压密封唇上会发现损坏。密封体积扩大，材料变软。

液压系统中的短行程可能会产生压力冲击。在理想的气体配方中，压力应是温度的正函数，并且温度会随着压力的增加而增加。如果加热的气泡膨胀，它们会开始磨损密封元件，并在高温和高压下将其撕裂。

在该领域，研究表明，这些气泡的温度可能远远超过200°C甚至达到1000°C。该温度根据压力，压力，速度和负载之前气泡的大小而变化。

7.1.2. 柴油效果

液压缸中最严重的损坏来自油中空气的柴油作用爆炸。迅速加压的空气很快达到很高的温度以至于引起空气和机油混合物着火爆炸。这种情况在承受不稳定载荷的气缸中更常见。在爆炸时，压力将导致比额定工作压力高5-6倍。因此，密封，导向元件和金属表面被损坏。观察到的损坏是密封元件和热塑性零件上的局部燃烧和熔化。

7.0. COMMON PROBLEMS FOR HYDRAULIC CYLINDERS

7.1. AIR IN OIL

Air in oil problem is found mostly in mobile hydraulics. These include three important effects such as jet cut effect, diesel effect and cavitation.

7.1.1. JET CUT EFFECT

Air can be soluble or insoluble in the media. There is molecular soluble air in all the hydraulic oils. Gas molecules are possibly mixed or bond to oil molecules. Depending on type of media, the rate of soluble air will vary. Oil pressure capability, viscosity and workability characteristics will not to be affected by soluble air.

Insoluble air will cause the oil to behave erratically especially at low pressures (approx 60 bar). For example, as media speed increases, air bubbles will be dispersed over varying distances.

If the pressurised media contains insoluble air, this air is pressurised and will find its way to the seal groove. Subsequently, these air bubbles will be freed when the pressure decreases which lead to the emission of tremendous energy brought about through air expansion. As a result, metal surfaces are affected and surface roughness is increased.

As a result of these explosions if the cracks on the sealing element are on the direction of the cylinder, these small channels cause a nozzle effect. As the speed of oil increases, it makes a jet effect on these nozzles and causes cuts on these parts. Meanwhile, oil molecules pass the seal at a high speed, penetrating behind and wearing the back of it. If there is too much insoluble air in the oil, this expansion might tear the seal out half. This type of damage will commonly occur with rubber fabric products which have been immersed in rubber solution. The reason being, these products contain too much porosity and air transferability other than homogenised rubber seals.

This type of damage can be stopped with increasing the dimensions of the groove at the design stage. The real reason for this damage is escaped pressurised air penetrating behind the seal rather than extrusion. Pressurised air bubbles damage the sealing element when they expand by being absorbed also by homogenised elastomer sealing elements. If these seals are removed for inspection, damage can be found on seals hydraulic sealing lips. The seal volume is expanded and material becomes softer.

Pressure shocks can be with short strokes in the hydraulic systems. Air bubbles in the system are loaded with high temperature energy. At the ideal gas formulation, pressure is to be a positive function of temperature and temperature will increase with pressure increase at the same time. If heated air bubbles are expanded, they start to wear the sealing element and tear pieces from it with high temperature and force. In this area, researches show that the temperature of these air bubbles could be far more than 200°C, even reach to 1000°C. This temperature changes depending on the size of the air bubbles before pressure, pressure, speed and load.

7.1.2. DIESEL EFFECT

Most serious damages in hydraulic cylinders originate from diesel effect explosions of the air in the oil. Speedily pressurised air quickly reaches so high temperatures that it causes air and oil mixture to explode with fire. This situation is seen more often in cylinders that work against unsteady loads. While this explosion, pressure will cause an increase 5-6 times more than nominal working pressure. Consequently sealing, guiding elements and metal surfaces are damaged. This damage is observed as local burn and melting on sealing elements and thermoplastic parts.

因此, 需要一些额外的应用来防止油箱, 泵阀和气缸中的油中出现空气。维修工程师应确保更换气缸时系统中没有残留空气。否则, 喷射和柴油作用会损坏密封元件。

当正常压力超过可溶空气极限时v液压系统就有危险。即使有时在饱和极限下, 相关的真空也可能会从系统油中蒸发产生空气, 并且密封件可能会损坏 (请参见气穴部分)。如果需要检查任何有问题的气缸密封件, 则应与密封设计者和制造商同时进行检查,同时从气缸中取出密封件。因为更换密封元件无法解决问题。

7.1.3. 空运

当受压的液压介质穿过杆(例如阀门)时、介质的速度会增加。在伯努利公式 ($P_{st} + P_{dyn} = \text{常数}$) 上, 当于速度相关的动压增加时、静压力就持续下降从而产生真空。结果, 油中的可溶性空气好像水汽蒸发从油中逸出而形成了压降。这叫做空蚀现象, 当蒸发形成的压降到压力点时会发生爆炸。

如果爆炸发生在密封元件或金属表面上, 则爆炸中产生的巨大力量将破坏其表面。这种情况称为射流冲蚀。

液压油的系统中, 发生气蚀现象的可能性很小, 因为油的蒸汽压力太低 (1.5-2.5托。1托=1.33毫巴)。但是, 水处理系统很可能会发生气穴现象, 由于水蒸汽的压力为0.3巴, 产生的冲击力甚至足以破坏金属表面。

Because of this reason some extra applications are needed to prevent air in oil in oil tanks, pumps valves and cylinders. Maintenance engineers should be sure about there is not any air left in the system on replacing the cylinder. Otherwise jet and diesel effects would damage the sealing element.

Hydraulic system is on danger when soluble air limit is exceeded on normal pressure. Even sometimes under limit saturation related vacuum might create air from system oil with evaporation and seal can be damaged (pls. see Cavitation part). If any problematic cylinder seals inspection is needed, inspection should be carried out with the seal designer and manufacturer at the same time while removing the seal from cylinder. Because replacing the sealing element would not solve the problem.

7.1.3. CAVITATION

Pressured hydraulic media speed increases while transferring through a rod (for example valve). On Bernoulli Formula ($P_{st} + P_{dyn} = \text{constant}$), when speed related dynamic pressure increases static pressure drops and it can be continued to create vacuum. After that as a result, soluble air in the oil is evaporated like steam drops. This is called as Cavitation.

These steam drops explode while transferring to pressure point. If this explosion occurs on a sealing element or a metal surface, the force created by the explosion damages the surfaces. This is called jet erosion.

There is small possibility of cavitation in systems working with hydraulic oil, because steam pressure of oil is too low (1.5 - 2.5 Torr.) However, there is a possibility of cavitation with water processed systems, because water steam pressure is 0.3 BAR and the created force is enough to damage even metal surfaces.

结果

油中不溶的空气对液压系统非常危险。空气是如何形成的,我们如何预防?

1. 系统启动, 组装或拆卸会产生空气。在更换新的泵, 阀或活塞组件时或在进行维修工作以进行维护时, 必须除去空气。例如, 在泵启动之前, 合格人员应通过用手转动电机轴或滑轮杆从空气阀中抽出空气, 同样, 应从活塞中抽出空气, 并且必须正确连接软管或软管配件。

2. 使用质量差的配件的材料是一种非常常见的原因。另一方面, 在冲击和振动下工作时, 装配元件经常会松动 (例如重型机器)。因此, 应定期检查它们。如果可能, 应使用能增加密封性的化合物。

3. 有时机器设计因素会导致空气进入系统。由于空间限制, 大多数机器设计人员会在最小的水箱容积和泵位置上进行工作。当所有系统都使用了油并且泵处于运行状态时, 油箱容积应在安全极限之内。此外, 回油出口的位置不应太靠近机油泵入口, 也不能太高而造成油的湍流。重型密封件应特别用于制造在冲击和振动下工作的重型机械活塞。密封元件的挤压间隙(沟道)应更大, 并用导向环密封支撑。

7.2. 液压压力问题

液压压力所引起的问题时液压缸中的常见问题。关于液压压力的最简单的定义是液压缸中密封元件之间的空间压力。而大超出系统允许压力值的产生会引起密封件的永久变形、因此可设置导向耐磨环来解决之。在解释密封机理之前、为了便于说明、下面列出了相关的专业术语。

RESULT

Insoluble air in oil is very dangerous for hydraulic systems. How does the air come into being and how can we prevent it?

1. System start-up, assembly or de-assembly can create air. Air has to be removed during a new pump, valve or piston assembly or when repair work is carried out for maintenance. For example, prior to the pumps starting a competent person should take the air out from air valves by turning the rod mil or cam by hand. In the same way, air should be taken out of pistons and hose or hose fittings have to be properly connected.

2. Loose fitting elements can cause air transfer to system. Using poor quality fitting materials is a very common cause. And on the other hand, fitting elements frequently become loosened while they are working under shock and vibrations (like heavy duty machines). Because of this reason they should be subject to periodic checking and if possible, chemical compounds that increase the sealing should be used.

3. Sometimes machine design factors cause air transfer to systems. The majority of machine designers work on minimal tank volume and pump positioning because of space limitations. Oil tank volume should be within the safety limit when oil is used by all the system and whilst the pump is operational. Moreover, the oil return outlet should not be positioned too close to the oil pump inlet or too high and create oil turbulence. Heavy duty seals should be used especially in the manufacturing of heavy machine pistons which work under shock and vibrations. Sealing element extrusion gap (groove) should be bigger and seal supported with guiding rings.

7.2. HYDRODYNAMIC PRESSURE PROBLEM

Hydrodynamic pressure is a common problem of hydraulic cylinders. The shortest definition of Hydrodynamic pressure is that the pressure in the space between the sealing element in hydraulic cylinders and the guiding element causes a type of permanent seal deformation by reaching a value far beyond the system pressure.

Prior to the explanation, there is a list of key terminology provided for your convenience.

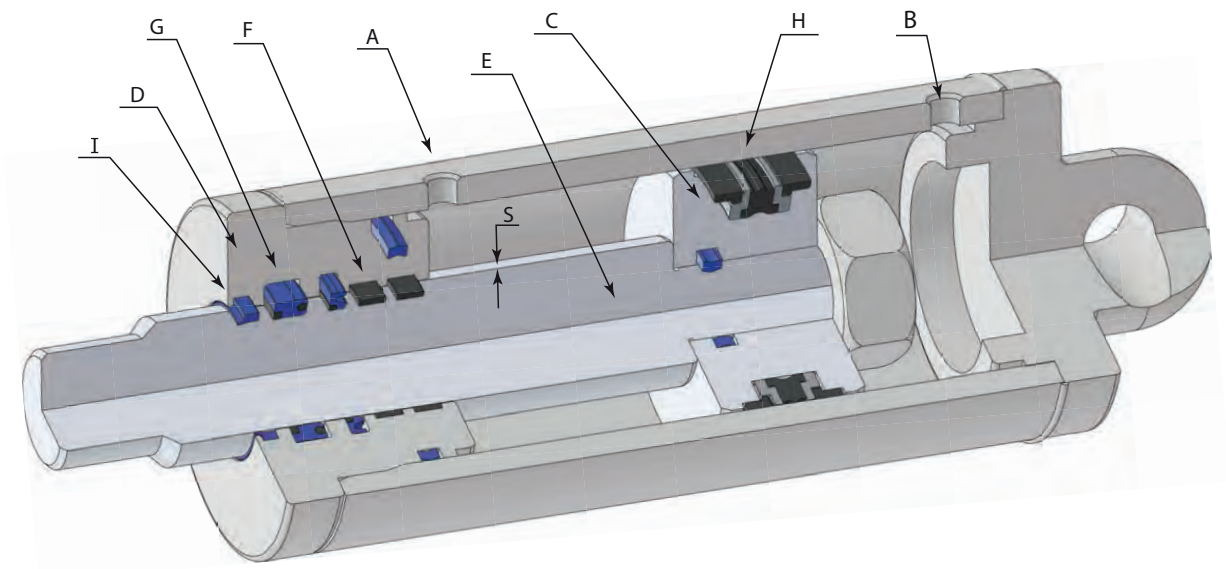


图10 / Figure - 10

AB: 液压缸进出口
 C: 活塞
 D: 液压缸端盖
 E: 杆
 F: 导向元件
 G: 杆密封
 H: 活塞密封
 I: 防尘圈
 S: 杆与导向元件之间的间隙

AB: inlet-outlet ports for hydraulic cylinder
 C: Piston head
 D: Cylinder cap
 E: Rod
 F: Guidening element
 G: Rod seal
 H: Piston Seal
 I: Wiper
 S: Gap between rod and guidening element

如图10所示的双作用液压缸、受压介质加入A进口、使杆右移。

In double acting hydraulic cylinder drawing as seen in Figure-10, pressured media enters from A port and leads the movement of the rod to the right.

同时受压介质充满了杆于导向之间的S间隙于杆密封的浅间隙处。如果受压介质到达B处、而将A部可看作是一个油槽、那么杆就开始在压力作用下沿着缸的冲程向左移动。

At the same time pressured media fills the gap between rod and guidening element "S" and the gap in front of the rod seal. If pressured media is sent to B side and A side is made tank, rod starts to move left along the cylinder stroke length with pressure effect.

如果S间隙很小、大部分在密封件前部的液压介质不能在A侧形成有足够容积的油槽。在这种情况下、介质油压力持续上升、系统开始如泵一样工作、生产超过系统要求的压力。最终、密封件被损坏、液压缸也可以能遭到破坏。

Meanwhile if tight tolerances have been applied in "S" gap, it is evident that much of the hydraulic media which remains on the front surface of the seal can not make a tank from the A line. In this application, at every stage the rate of media oil increases and the system starts to work like a pump and creates more pressure then normal. Consequently, the seal and possibly cylinder are damaged.

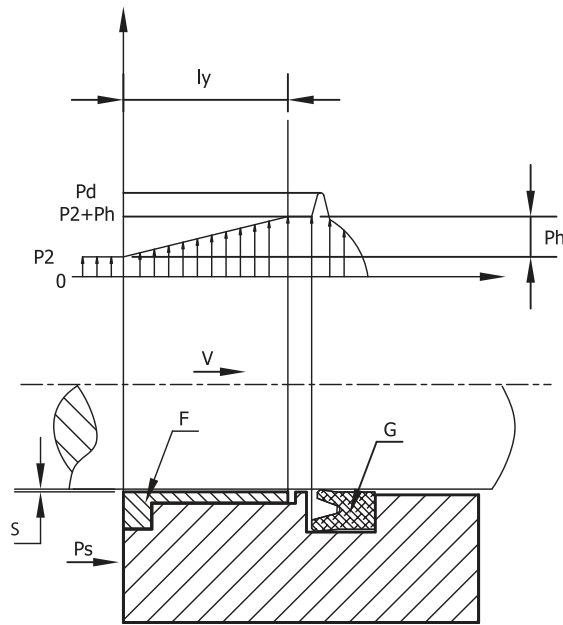


图 11 / Figure - 11

如图11、液压缸设计中的杆部分已经被移除。而且图标显示流体液压在增加。通过往复运动、增加值可以通过以实验公式来计算得出:

$$Ph = 6V.LY.1/S^2$$

从上面的等式中可看出、受压流体介质的滑动速度于滑动速度于滑行长度、动态介质的粘性以及杆和导向元件之间的间隙直接相关。

V = 滑动速度 (m / sn)
 ly = 引导长度 (米)
 l = 动态粘度 (Pa.sn)
 S = 杆和导向之间的间隙 (毫米)

以下文中提供了关于一些流体动压力建议和解决方案: 减少流体力学公式的分子中给出的三个数字 (滑动速度, 导向长度和动态粘度) 似乎是解决方案, 但总的来说, 由于可能的液压设计问题, 我们不应该理会这些数字。可以看出, 如果增大导向元件和杆之间的间隙的比率, 则流体动力压力值的减小将与该增大的平方根成比例。由于“S”间隙变大, 液压缸中的导向元件将无法正常工作, 并且在液压缸中的垂直力的作用下会出现更严重的问题。

在液压缸中用作导向元件的一些零件如下:

1. 酚醛树脂 (纤维) 导轨
2. 城堡式的向导
3. 青铜指南
4. 聚缩醛 (POM) 或聚酰胺 (PA) 导轨
5. PTFE 导板
6. 特殊的聚四氟乙烯涂层金属环。

In Figure-11 the rod section in the hydraulic cylinder design has been removed and the chart shows the increase of hydrodynamic pressure (ph). The result of this increase with repeated movement can be calculated with the empirical formula below.

$$Ph = 6V.LY.1/S^2$$

As can be seen in the equation above, hydrodynamic pressure sliding speed is directly related to guiding length, dynamic viscosity of the media and gap between rod and guiding element.

V = Sliding speed (m/sn)
 ly = Guidening length (m)
 l = Dynamic viscosity (Pa.sn)
 S = Gap between rod and guidinging (mm)

Some hydrodynamic pressure advice and solutions are given in the paragraphs below. Reducing the three figures which are given in the numerator of the hydrodynamic formula (sliding speed, guidinging length and dynamic viscosity) may seem like the solution but generally speaking, due to possible hydraulic design problems, we should not touch these figures. If the rate of the gap between the guidinging element and the rod is increased, it can be seen that there will be a decrease in hydrodynamic pressure value proportional to the square root of that increase. As a result of “S” gap being widened, guidinging element in the hydraulic cylinder will not function properly and there will be more serious problems with the effect of perpendicular forces in the hydraulic cylinder.

Some of the parts that are used as guidinging elements in hydraulic cylinders are as follows;

1. Phenolic resin (fibres) guides
2. Castled guides
3. Bronze guides
4. Polyacetal (POM) or polyamide (PA) guides
5. PTFE guides
6. Special teflon coated metallic rings.

显然, 根据导向元件的类型, 解决方案可能会有所不同。如图12、通过展开铸铁或青铜制导向元件上的螺旋槽可以看到, 可以消除可能出现在密封元件前部的介质堆积。

Depending on the type of guiding element, it is evident that the solutions may vary. By opening helical grooves on cast iron or bronze guiding elements that are used in Figure-12, media accumulation that may occur on the front of sealing element can be foiled.

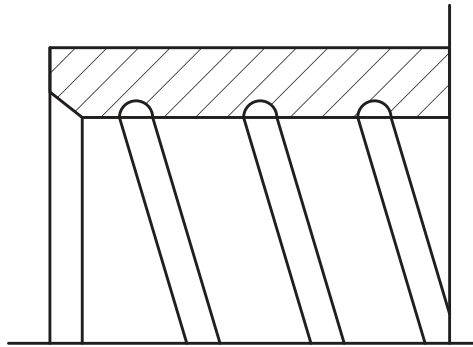


图 12 / Figure - 12

如图13所示、如果无法做成一个螺旋槽, 可以通过走一个密封沟槽来预防止流体液动压力问题的产生。

If it is not possible to create helical grooves, as seen in Figure-13 hydrodynamic pressure can be prevented by making a drain hole in rod seal housing.

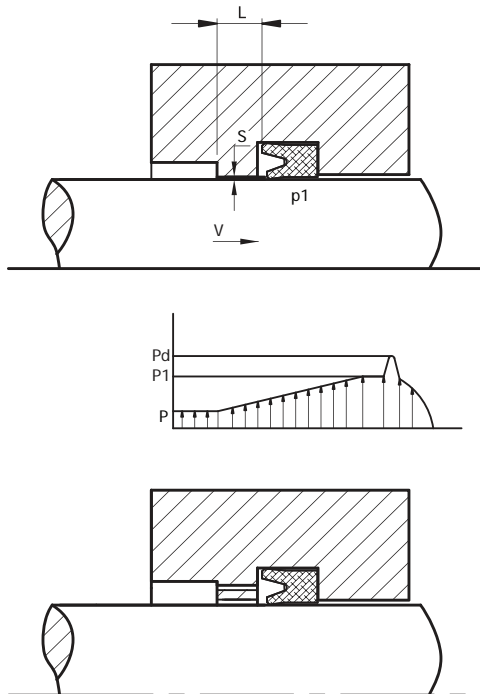


图 13 / Figure - 13

如果使用导向环、如果14所示、最重要的因素此为在导向元件中、必须有一个K间隙。(如图中所示的用K表示的间隙。)在此过程中、停留在密封元件前方的液压介质将从K处流回系统中。

If tape guides are used, as seen in Figure-14, the most important factor is that there must be a "k" gap on the guiding elements. A gap should be left as shown in figure represented as "k". Hydraulic media which remains on the front of the seal during the process should be returned to the system from this gap.

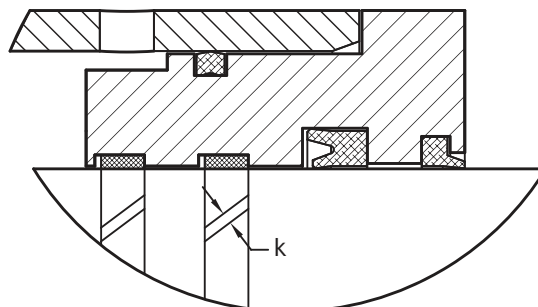


图 14 / Figure - 14

推荐的最小“K”间隙值如下:

The minimum recommended “k” gap values are as follows;

Ø (mm)	k (mm)
Ø<70	0,5-3
70≤Ø<250	1-4
250≤Ø<500	1,5-7

结论

流体动力压力会损坏液压密封元件和液压缸零件。因此,在液压缸的设计和应用中不应允许积聚流体动力压力。

8.0. 储存条件

8.1. 环境, 湿度和温度

橡胶,塑料和聚氨酯产品应存放在阴凉干燥的地方。储存温度应为15°C左右且不超过25°C;相对湿度应该小于65%。在包装密封元件时,必须避免与空气接触。

8.2. 光线和紫外线

保护产品免受阳光直射和强紫外线强度高的人造光

8.3. 氧气和臭氧

禁止使用臭氧产生装置,例如电动机或高压设备应放在存放区域。

8.4. 形变

橡胶物品不应受到拉力,压力或弯曲。将物品放平以避免挤压无应变,减少变形的机会。

8.5. 接触油脂和液压油

与液体和半固体物质接触,特别是必须避免使用溶剂,例如油或油脂。

8.6. 与金属接触

锰,铁和铜等金属或铜合金可以损坏橡胶。因此,也有必要避免接触与有害金属或化学物质。

CONCLUSION

Hydrodynamic pressure can cause damage to hydraulic sealing elements and the hydraulic cylinder parts. Therefore, the build up of hydrodynamic pressure should not be permitted in hydraulic cylinder design and applications.

8.0. STORAGE CONDITIONS

8.1. Enviroment, Moisture and Temperature

Rubber, plastic, and polyurethane products should be stored in a cool and dry place. Temperature of the storage should be around 15°C and not surpass 25°C; the relative humidity should be less than 65%. While packing sealing elements, contact with air must be prevented.

8.2. Light and Ultra-violet Rays

It is important to protect products against direct sunlight and strong artificial light with a high UV level.

8.3. Oxygen and Ozone

No ozone-producing devices such as electric motors or high-voltage devices should be in the storage area.

8.4. Deformation

Rubber items should not be subject to tension, pressure or bending. Laying the item flat to avoid crushing would keep it strain-free and reduce chances of deformation.

8.5. Contact With Grease and Hydraulic Liquids

Contact with liquids and semi-solid materials, particularly solvents, such as oils or greases must be prevented.

8.6. Contact With Metals

Metals like manganese, iron and copper, or copper alloys could damage rubber. Therefore, it is also necessary to avoid contact with hazardous metals or chemical substances.

液压于气动缸的公差

TOLERANCES IN HYDRAULIC AND PNEUMATIC CYLINDERS

公称尺寸 NOMINAL DIMENSION mm	内径公差 INNER DIAMETER TOLERANCES (μm)												内径公差 OUTER DIAMETER TOLERANCES (μm)										
	H6	H7	H8	H9	H10	H11	H12	e9	f7	f8	f9	f10	f11	h8	h9	h10	h11						
D																							
$0 < D \leq 3$	+6 0	+10 0	+14 0	+25 0	+40 0	+60 0	+100 0	-14 -39	-6 -16	-6 -20	-6 -31	0 -14	0 -25	0 -14	0 -25	0 -40	0 -60						
$3 < D \leq 6$	+8 0	+12 0	+18 0	+30 0	+48 0	+75 0	+120 0	-20 -50	-10 -22	-10 -28	-10 -40	0 -18	0 -30	0 -18	0 -30	0 -48	0 -75						
$6 < D \leq 10$	+9 0	+15 0	+22 0	+36 0	+58 0	+90 0	+150 0	-25 -61	-13 -28	-13 -35	-13 -49	0 -22	0 -36	0 -22	0 -36	0 -58	0 -90						
$10 < D \leq 18$	+11 0	+18 0	+27 0	+43 0	+70 0	+110 0	+180 0	-32 -75	-16 -34	-16 -43	-16 -59	0 -27	0 -43	0 -27	0 -43	0 -70	0 -110						
$18 < D \leq 30$	+13 0	+21 0	+33 0	+52 0	+84 0	+130 0	210 0	-40 -92	-20 -41	-20 -53	-20 -72	0 -33	0 -52	0 -33	0 -52	0 -84	0 -130						
$30 < D \leq 50$	+16 0	+25 0	+39 0	+62 0	+100 0	+160 0	+250 0	-50 -112	-25 -50	-25 -64	-25 -87	0 -39	0 -62	0 -39	0 -62	0 -100	0 -160						
$50 < D \leq 80$	+19 0	+30 0	+46 0	+74 0	+120 0	+190 0	+300 0	-60 -134	-30 -60	-30 -76	-30 -104	0 -46	0 -74	0 -46	0 -74	0 -120	0 -190						
$80 < D \leq 120$	+22 0	+35 0	+54 0	+87 0	+140 0	+220 0	+350 0	-72 -159	-36 -71	-36 -90	-36 -123	0 -54	0 -87	0 -54	0 -87	0 -140	0 -220						
$120 < D \leq 180$	+25 0	+40 0	+63 0	+100 0	+160 0	+250 0	+400 0	-85 -185	-43 -83	-43 -106	-43 -143	0 -63	0 -100	0 -63	0 -100	0 -160	0 -250						
$180 < D \leq 250$	+29 0	+46 0	+72 0	+115 0	+185 0	+290 0	+460 0	-100 -215	-50 -96	-50 -122	-50 -165	0 -72	0 -115	0 -72	0 -115	0 -185	0 -290						
$250 < D \leq 315$	+32 0	+52 0	+81 0	+130 0	+210 0	+320 0	+520 0	-110 -240	-56 -108	-56 -137	-56 -185	0 -81	0 -130	0 -81	0 -130	0 -210	0 -320						
$315 < D \leq 400$	+36 0	+57 0	+89 0	+140 0	+230 0	+360 0	+570 0	-125 -265	-62 -119	-62 -151	-62 -202	0 -89	0 -140	0 -89	0 -140	0 -230	0 -360						
$400 < D \leq 500$	+40 0	+63 0	+97 0	+155 0	+250 0	+400 0	+630 0	-135 -290	-68 -131	-68 -165	-68 -223	0 -97	0 -155	0 -97	0 -155	0 -250	0 -400						





A101 U 形活塞杆密封
U-Ring Rod Piston



A102 U 形活塞密封
U-Ring Piston



A103 重载活塞密封
Heavy Duty Piston Seal



A104 组合活塞密封
Compact Seal



A105 组合活塞密封
Compact Seal



A106 活塞密封
Piston Seal



A107 活塞杆密封
Rod Piston Seal



A108 U 形活塞密封
U-Ring Piston



A109 组合活塞密封
Compact Seal



A110 活塞密封
Piston Seal



A120 V 型组合杆密封
V-Pack Rod



A121 V 型组合活塞密封
V-Pack Piston



A122 V 型组合杆密封
V-Pack Rod



A123 活塞密封
Piston Seal



A124 活塞密封
Piston Seal



A127 Z 型重载活塞密封
Heavy Duty Piston Seal
Z Cutted



A151 U 型杆密封
U-Ring Rod



A152 重载U型杆密封
Heavy Duty U-Ring Rod



A153 U 型杆密封
U-Ring Rod



A154 U 型杆密封
U-Ring Rod



A155 杆密封
Rod Seal



A156 杆密封
Rod Seal



A157 U 型杆密封
U-Ring Rod



A159 杆密封
Rod Seal



A161 高性能 U 型杆密封
High Performance
U-Ring Rod



A162 高性能重载 U 型杆密封
High Performance
Heavy Duty U-Ring Rod



A163 高性能 U 型杆密封
High Performance
U-Ring Rod



A164 高性能 U 型杆密封
High Performance
U-Ring Rod



A167 高性能 U 型杆密封
High Performance
U-Ring Rod



A168 高性能 U 型活塞密封
High Performance
U-Ring Piston



A171 高性能 U 型活塞杆密封
High Performance U-Ring
Rod Piston



A172 高性能 U 型活塞密封
High Performance
U-Ring Piston



A181 U 型杆密封
U-Ring Rod



A209 缓冲密封环
Buffer Ring



A269 高性能缓冲密封环
High Performance
Buffer Ring

液压密封元件
Hydraulic Sealing Elements





A101

A101 活塞及杆密封件的密封唇设计具有对称性，所以它通用于杆和活塞中

A101 piston rod seals can be used in both rod and piston applications thanks to their symmetrical lip design.

A101 能用于大范围尺寸条件下、A101 杆--活塞杆密封件具有高性价比，它是由两种标准材料制成；PU 或 NBR。

With a wide range of dimension availability, A101 piston rod seals have efficient price-performance ratio and they are produced using two standard materials; PU and NBR.

技术参数 / TECHNICAL DATA

标准材料 / Standard Materials	NBR	PU
工作压力 / Working Pressure	160 Bar	400 Bar
工作温度 / Working Temperature	-30 +105°C	-40 +100°C
滑动速度 / Sliding Speed	0.5 m/sn	0.5 m/sn
材料 / Material	90 NBR	92 PU
介质 / Media	矿物基液压油 / Mineral Base Hydraulic Oil	

表面粗糙度 / Surface Roughness

	Ra	Rmax
动态表面 / Dynamic Surface	≤0.3 μm	≤3 μm
槽底部 / Groove Base	≤1.8 μm	≤10 μm
槽侧面 / Groove Flanks	≤3.2 μm	≤16 μm

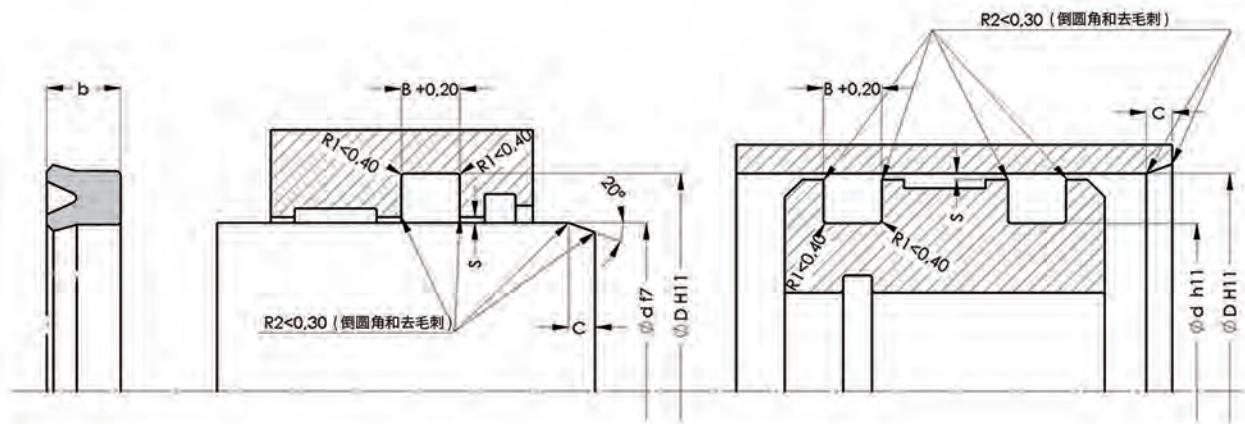
NBR 材料最大许允间隙 / Permissible Gap (max.) for NBR

横截面 / Cross Section	压力值 (巴) / Pressure (bar)		
	50	100	160
≤5	0.4	0.2	0.10
>5	0.45	0.25	0.15

PU 材料最大许允间隙 / Permissible Gap (max.) for PU

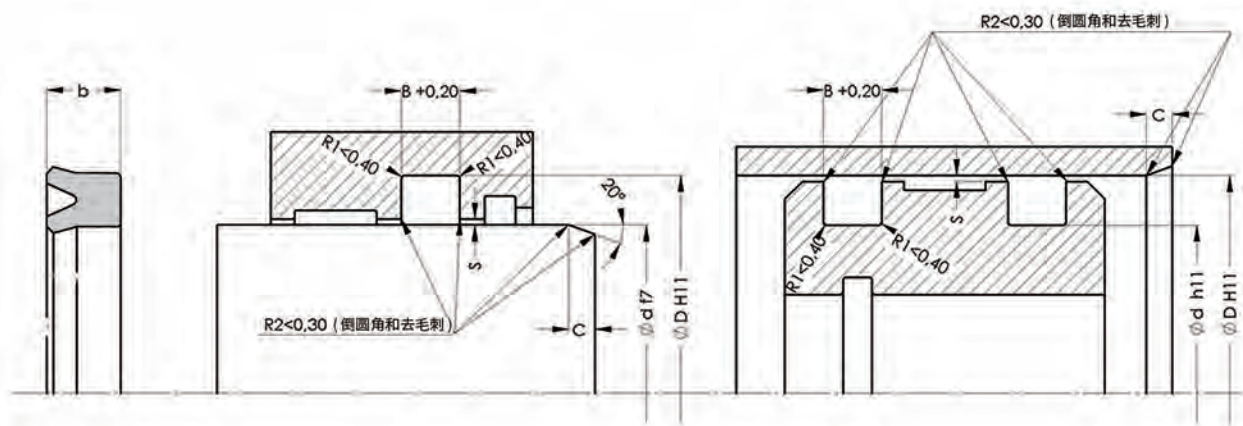
横截面 / Cross Section	压力值 (巴) / Pressure (bar)		
	150	250	400
≤5	0.3	0.2	0.15
>5	0.35	0.25	0.2





ALP 码 - Code	尺寸 - Dimension	Ød	ØD	b	B	C	NBR	PU
A101-003/2	3X7X5	3	7	5	6	2	NBR	PU
A101-003	3X8X3,5	3	8	3,5	4	2,5	NBR	PU
A101-003/1	3X10X6	3	10	6	7	3,5	NBR	PU
A101-004/1	4X10X4	4	10	4	4,5	3	NBR	PU
A101-004/5	4X10X4,5	4	10	4,5	5	3	NBR	PU
A101-004/3	4X10X5	4	10	5	6	3	NBR	PU
A101-004/2	4X10X6	4	10	6	7	3	NBR	PU
A101-004/4	4X12X4	4	12	4	4,5	4	NBR	PU
A101-004	4X12X5,5	4	12	5,5	6,5	4	NBR	PU
A101-005/2	5X10X4	5	10	4	4,5	2,5	NBR	PU
A101-005/3	5X10X5	5	10	5	6	2,5	NBR	PU
A101-005/1	5X11X5	5	11	5	6	3	NBR	PU
A101-005	5X11X7	5	11	7	8	3	NBR	PU
A101-005/4	5X12X5	5	12	5	6	3,5	NBR	PU
A101-005/5	5X14X4,5	5	14	4,5	5	4	NBR	PU
A101-006/14	6X9X2	6	9	2	2,5	2	NBR	PU
A101-006/5	6X10X3	6	10	3	3,5	2	NBR	PU
A101-006/1	6X10X8	6	10	8	9	2	NBR	PU
A101-006/8	6X12X4	6	12	4	4,5	3	NBR	PU
A101-006	6X12X6	6	12	6	7	3	NBR	PU
A101-006/4	6X12X7	6	12	7	8	3	NBR	PU
A101-006/10	6X13X5,5	6	13	5,5	6,5	3,5	NBR	PU
A101-006/15	6X13X8	6	13	8	9	3,5	NBR	PU
A101-006/2	6X14X4	6	14	4	4,5	4	NBR	PU
A101-006/13	6X14X6	6	14	6	7	4	NBR	PU
A101-006/6	6X15X5	6	15	5	6	4	NBR	PU
A101-006/12	6X15X7,5	6	15	7,5	8,5	4	NBR	PU
A101-006/3	6X16X5	6	16	5	6	4,5	NBR	PU
A101-006/7	6X16X6	6	16	6	7	4,5	NBR	PU
A101-006/9	6X18X8	6	18	8	9	5	NBR	PU
A101-007/4	7X12X2,55	7	12	2,55	3,05	3	NBR	PU
A101-007/3	7X13X3,5	7	13	3,5	4	3	NBR	PU
A101-007/1	7X14X7	7	14	7	8	3,5	NBR	PU
A101-007	7X15X5	7	15	5	6	4	NBR	PU
A101-007/2	7X15X7	7	15	7	8	4	NBR	PU
A101-008/8	8X12X4	8	12	4	4,5	2	NBR	PU
A101-008/10	8X12X5	8	12	5	6	2	NBR	PU
A101-008/6	8X14X4	8	14	4	4,5	3	NBR	PU
A101-008/1	8X14X6	8	14	6	7	3	NBR	PU

A101



ALP 码 - Code	尺寸 - Dimension	Ød	ØD	b	B	C	NBR	PU
A101-008/3	8X15X5	8	15	5	6	3,5	NBR	PU
A101-008/12	8X15X6	8	15	6	7	3,5	NBR	PU
A101-008/7	8X15X8	8	15	8	9	3,5	NBR	PU
A101-008/4	8X16X6	8	16	6	7	4	NBR	PU
A101-008/5	8X16X8	8	16	8	9	4	NBR	PU
A101-008/9	8X17X6	8	17	6	7	4	NBR	PU
A101-008	8X18X8	8	18	8	9	4,5	NBR	PU
A101-008/11	8X18X9	8	18	9	10	4,5	NBR	PU
A101-008/2	8X20X8	8	20	8	9	5	NBR	PU
A101-009/5	9X15X8	9	15	8	9	3	NBR	PU
A101-009/2	9X16X4	9	16	4	4,5	3,5	NBR	PU
A101-009/3	9X16X7	9	16	7	8	3,5	NBR	PU
A101-009/4	9X17X5,5	9	17	5,5	6,5	4	NBR	PU
A101-009	9X17X6	9	17	6	7	4	NBR	PU
A101-009/1	9X19X6	9	19	6	7	4,5	NBR	PU
A101-010/17	10X14X4	10	14	4	4,5	2	NBR	PU
A101-010/4	10X15X4	10	15	4	4,5	2,5	NBR	PU
A101-010/3	10X16X4	10	16	4	4,5	3	NBR	PU
A101-010/20	10X16X4,5	10	16	4,5	5	3	NBR	PU
A101-010/6	10X16X5	10	16	5	6	3	NBR	PU
A101-010/5	10X16X6	10	16	6	7	3	NBR	PU
A101-010/11	10X18X4	10	18	4	4,5	4	NBR	PU
A101-010/13	10X18X6	10	18	6	7	4	NBR	PU
A101-010/10	10X18X8	10	18	8	9	4	NBR	PU
A101-010/19	10X20X4,5	10	20	4,5	5	4,5	NBR	PU
A101-010/21	10X20X6	10	20	6	7	4,5	NBR	PU
A101-010/18	10X20X6,5	10	20	6,5	7,5	4,5	NBR	PU
A101-010/7	10X20X7	10	20	7	8	4,5	NBR	PU
A101-010	10X20X8	10	20	8	9	4,5	NBR	PU
A101-010/1	10X22X6	10	22	6	7	5	NBR	PU
A101-010/2	10X22X8	10	22	8	9	5	NBR	PU
A101-010/8	10X22X9	10	22	9	10	5	NBR	PU
A101-010/16	10X25X8	10	25	8	9	5,5	NBR	PU
A101-010/14	10X25X10	10	25	10	11	5,5	NBR	PU
A101-010/9	10X26X8	10	26	8	9	6	NBR	PU
A101-010/15	10X26X9,5	10	26	9,5	10,5	6	NBR	PU
A101-010/12	10X28X10	10	28	10	11	6	NBR	PU
A101-011/1	11X18,35X5	11	18,35	5	6	3,5	NBR	PU
A101-011	11,2X19,2X5	11,2	19,2	5	6	4	NBR	PU

A101

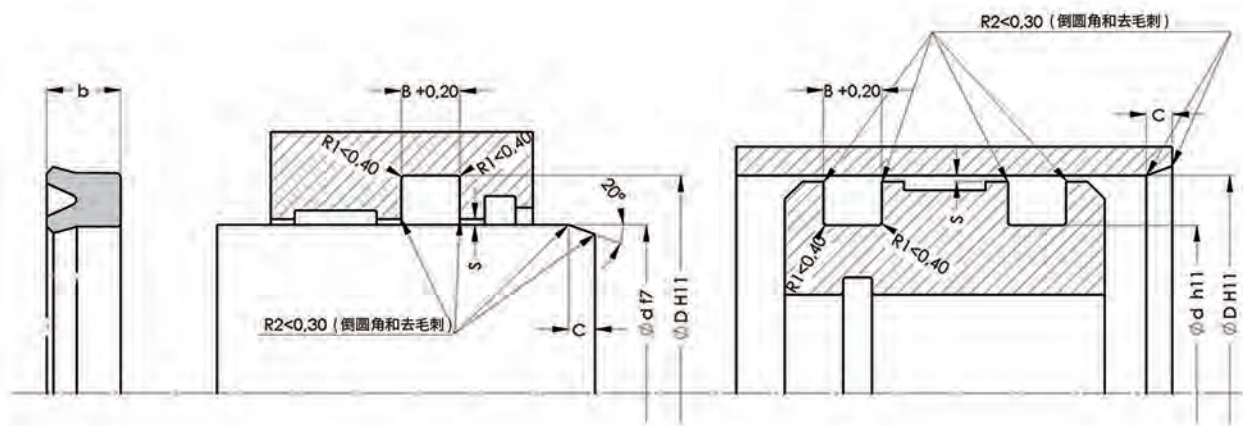


全球密封方案

ALP 码 - Code	尺寸 - Dimension	Ød	ØD	b	B	C	NBR	PU
A101-012/17	12X16X3	12	16	3	3,5	2	NBR	PU
A101-012/8	12X17X3	12	17	3	3,5	2,5	NBR	PU
A101-012/13	12X18X4	12	18	4	4,5	3	NBR	PU
A101-012/14	12X18X5	12	18	5	6	3	NBR	PU
A101-012/12	12X18X6	12	18	6	7	3	NBR	PU
A101-012/19	12X18X8	12	18	8	9	3	NBR	PU
A101-012/2	12X20X5	12	20	5	6	4	NBR	PU
A101-012/15	12X20X5,5	12	20	5,5	6,5	4	NBR	PU
A101-012/1	12X20X8	12	20	8	9	4	NBR	PU
A101-012/18	12X22X5	12	22	5	6	4,5	NBR	PU
A101-012/7	12X22X6	12	22	6	7	4,5	NBR	PU
A101-012/6	12X22X7	12	22	7	8	4,5	NBR	PU
A101-012	12X22X8	12	22	8	9	4,5	NBR	PU
A101-012/4	12X24X6	12	24	6	7	5	NBR	PU
A101-012/11	12X24X10	12	24	10	11	5	NBR	PU
A101-012/3	12X25X8	12	25	8	9	5	NBR	PU
A101-012/9	12X26X10	12	26	10	11	5,5	NBR	PU
A101-012/5	12X28X10	12	28	10	11	6	NBR	PU
A101-012/10	12X32X10	12	32	10	11	6	NBR	PU
A101-012/16	12,7X25,4X6,35	12,7	25,4	6,35	7,35	5	NBR	PU
A101-013	13X25X8	13	25	8	9	5	NBR	PU
A101-014/11	14X20X4	14	20	4	4,5	3	NBR	PU
A101-014/9	14X20X5	14	20	5	6	3	NBR	PU
A101-014/10	14X20X6	14	20	6	7	3	NBR	PU
A101-014/15	14X20X8	14	20	8	9	3	NBR	PU
A101-014/12	14X22X4	14	22	4	4,5	4	NBR	PU
A101-014/1	14X22X5	14	22	5	6	4	NBR	PU
A101-014/3	14X22X6	14	22	6	7	4	NBR	PU
A101-014/13	14X22X8	14	22	8	9	4	NBR	PU
A101-014/6	14X22X12	14	22	12	13	4	NBR	PU
A101-014/5	14X24X5	14	24	5	6	4,5	NBR	PU
A101-014/7	14X24X6	14	24	6	7	4,5	NBR	PU
A101-014	14X24X8	14	24	8	9	4,5	NBR	PU
A101-014/4	14X28X7	14	28	7	8	5,5	NBR	PU
A101-014/8	14X28X10	14	28	10	11	5,5	NBR	PU
A101-014/2	14X32X8	14	32	8	9	6	NBR	PU
A101-014/14	14,5X18X3,75	14,5	18	3,75	4,25	2	NBR	PU
A101-015/3	15X20X3	15	20	3	3,5	2,5	NBR	PU
A101-015/4	15X21X3,5	15	21	3,5	4	3	NBR	PU
A101-015/16	15X21X5	15	21	5	6	3	NBR	PU
A101-015/15	15X21,5X4,5	15	21,5	4,5	5	3	NBR	PU
A101-015/13	15X22X4	15	22	4	4,5	3,5	NBR	PU
A101-015/11	15X22X5	15	22	5	6	3,5	NBR	PU
A101-015/1	15X22X5,5	15	22	5,5	6,5	3,5	NBR	PU
A101-015/2	15X22X8	15	22	8	9	3,5	NBR	PU
A101-015/12	15X25X5	15	25	5	6	4,5	NBR	PU
A101-015/14	15X25X6	15	25	6	7	4,5	NBR	PU
A101-015	15X25X8	15	25	8	9	4,5	NBR	PU
A101-015/10	15X25X10	15	25	10	11	4,5	NBR	PU
A101-015/8	15X28X8	15	28	8	9	5	NBR	PU
A101-015/5	15X28X10	15	28	10	11	5	NBR	PU
A101-015/9	15X30X6	15	30	6	7	5,5	NBR	PU
A101-015/7	15X30X8	15	30	8	9	5,5	NBR	PU
A101-015/6	15X30X10	15	30	10	11	5,5	NBR	PU

A101





ALP 码 - Code	尺寸 - Dimension	Ød	ØD	b	B	C	NBR	PU
A101-016/7	16X22X3	16	22	3	3,5	3	NBR	PU
A101-016/10	16X22X4	16	22	4	4,5	3	NBR	PU
A101-016/1	16X22X5	16	22	5	6	3	NBR	PU
A101-016/16	16X22X7	16	22	7	8	3	NBR	PU
A101-016/4	16X22X10	16	22	10	11	3	NBR	PU
A101-016/14	16X24X4	16	24	4	4,5	4	NBR	PU
A101-016/11	16X24X5	16	24	5	6	4	NBR	PU
A101-016/3	16X24X6	16	24	6	7	4	NBR	PU
A101-016/13	16X24X6,5	16	24	6,5	7,5	4	NBR	PU
A101-016/2	16X25X5	16	25	5	6	4	NBR	PU
A101-016/9	16X26X5	16	26	5	6	4,5	NBR	PU
A101-016/6	16X26X6	16	26	6	7	4,5	NBR	PU
A101-016	16X26X8	16	26	8	9	4,5	NBR	PU
A101-016/5	16X28X6	16	28	6	7	5	NBR	PU
A101-016/8	16X29X6	16	29	6	7	5	NBR	PU
A101-016/12	16X30X7	16	30	7	8	5,5	NBR	PU
A101-016/15	16X32X10	16	32	10	11	6	NBR	PU
A101-017/1	17X25X4	17	25	4	4,5	4	NBR	PU
A101-017/2	17X28X7	17	28	7	8	5	NBR	PU
A101-017	17X32X10	17	32	10	11	5,5	NBR	PU
A101-018/11	18X24X4	18	24	4	4,5	3	NBR	PU
A101-018/3	18X24X8	18	24	8	9	3	NBR	PU
A101-018/9	18X25X5	18	25	5	6	3,5	NBR	PU
A101-018/12	18X25X5,5	18	25	5,5	6,5	3,5	NBR	PU
A101-018/4	18X26X4	18	26	4	4,5	4	NBR	PU
A101-018/10	18X26X5	18	26	5	6	4	NBR	PU
A101-018/2	18X28X6	18	28	6	7	4,5	NBR	PU
A101-018	18X28X8	18	28	8	9	4,5	NBR	PU
A101-018/1	18X30X6	18	30	6	7	5	NBR	PU
A101-018/5	18X30X7,5	18	30	7,5	8,5	5	NBR	PU
A101-018/6	18X30X8,5	18	30	8,5	9,5	5	NBR	PU
A101-018/7	18X30X10	18	30	10	11	5	NBR	PU
A101-018/8	18X32X7	18	32	7	8	5,5	NBR	PU
A101-019	19X25X6	19	25	6	7	3	NBR	PU
A101-019/2	19X26X6,7	19	26	6,7	7,7	3,5	NBR	PU
A101-019/1	19,05X23,91X4,81	19,05	23,91	4,81	5,81	2	NBR	PU
A101-020/24	20X24X3	20	24	3	3,5	2	NBR	PU
A101-020/14	20X25X3	20	25	3	3,5	2,5	NBR	PU
A101-020/2	20X25X3,5	20	25	3,5	4	2,5	NBR	PU

A101

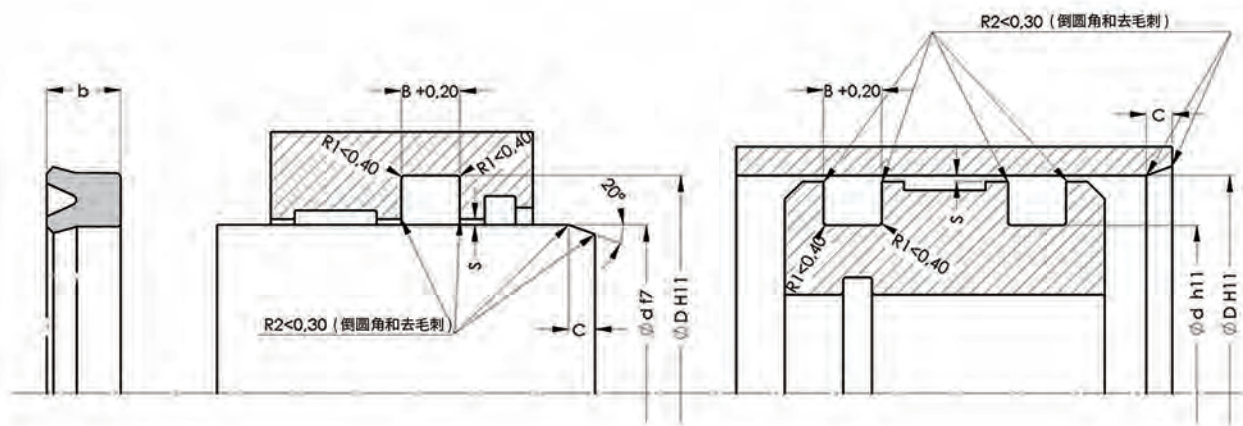


全球密封方案

ALP 码 - Code	尺寸 - Dimension	Ød	ØD	b	B	C	NBR	PU
A101-020/32	20X25X5	20	25	5	6	2,5	NBR	PU
A101-020/33	20X26X4	20	26	4	4,5	3	NBR	PU
A101-020/28	20X26X5	20	26	5	6	3	NBR	PU
A101-020/27	20X26X6	20	26	6	7	3	NBR	PU
A101-020/4	20X27X6	20	27	6	7	3,5	NBR	PU
A101-020/13	20X28X4	20	28	4	4,5	4	NBR	PU
A101-020/1	20X28X5	20	28	5	6	4	NBR	PU
A101-020/31	20X28X5,5	20	28	5,5	6,5	4	NBR	PU
A101-020/8	20X28X6	20	28	6	7	4	NBR	PU
A101-020/25	20X28X8	20	28	8	9	4	NBR	PU
A101-020/3	20X30X4	20	30	4	4,5	4,5	NBR	PU
A101-020/9	20X30X5	20	30	5	6	4,5	NBR	PU
A101-020/6	20X30X6	20	30	6	7	4,5	NBR	PU
A101-020	20X30X8	20	30	8	9	4,5	NBR	PU
A101-020/10	20X30X10	20	30	10	11	4,5	NBR	PU
A101-020/11	20X32X5	20	32	5	6	5	NBR	PU
A101-020/7	20X32X6	20	32	6	7	5	NBR	PU
A101-020/5	20X32X7,5	20	32	7,5	8,5	5	NBR	PU
A101-020/26	20X32X8	20	32	8	9	5	NBR	PU
A101-020/18	20X32X11	20	32	11	12	5	NBR	PU
A101-020/29	20X35X7	20	35	7	8	5,5	NBR	PU
A101-020/20	20X35X10	20	35	10	11	5,5	NBR	PU
A101-020/19	20X35X12	20	35	12	13	5,5	NBR	PU
A101-020/23	20X36X8	20	36	8	9	6	NBR	PU
A101-020/15	20X36X10	20	36	10	11	6	NBR	PU
A101-020/12	20X36X12	20	36	12	13	6	NBR	PU
A101-020/22	20X40X9	20	40	9	10	6	NBR	PU
A101-020/21	20X40X10	20	40	10	11	6	NBR	PU
A101-020/16	20X40X12	20	40	12	13	6	NBR	PU
A101-020/30	20X42X12	20	42	12	13	6	NBR	PU
A101-022/2	22X30X5	22	30	5	6	4	NBR	PU
A101-022/9	22X30X6	22	30	6	7	4	NBR	PU
A101-022/15	22X30X8	22	30	8	9	4	NBR	PU
A101-022/6	22X30X10	22	30	10	11	4	NBR	PU
A101-022/5	22X32X5	22	32	5	6	4,5	NBR	PU
A101-022/12	22X32X6	22	32	6	7	4,5	NBR	PU
A101-022/1	22X32X7	22	32	7	8	4,5	NBR	PU
A101-022	22X32X8	22	32	8	9	4,5	NBR	PU
A101-022/4	22X32X10	22	32	10	11	4,5	NBR	PU
A101-022/17	22X33X5,5	22	33	5,5	6,5	5	NBR	PU
A101-022/8	22X34X6	22	34	6	7	5	NBR	PU
A101-022/11	22X34X10	22	34	10	11	5	NBR	PU
A101-022/3	22X38X10	22	38	10	11	6	NBR	PU
A101-022/13	22X40X10	22	40	10	11	6	NBR	PU
A101-022/10	22X42X10	22	42	10	11	6	NBR	PU
A101-022/7	22X46X12	22	46	12	13	7	NBR	PU
A101-022/16	22,4X30X5	22,4	30	5	6	3,5	NBR	PU
A101-022/14	22,4X32,4X8	22,4	32,4	8	9	4,5	NBR	PU
A101-023	23X35X7	23	35	7	8	5	NBR	PU
A101-023/1	23,5X31,5X5	23,5	31,5	5	6	4	NBR	PU
A101-024/1	24X32X4	24	32	4	4,5	4	NBR	PU
A101-024/4	24X32X5	24	32	5	6	4	NBR	PU
A101-024/3	24X32X8	24	32	8	9	4	NBR	PU
A101-024/5	24X34X4	24	34	4	4,5	4,5	NBR	PU

A101





ALP 码 - Code	尺寸 - Dimension	Ød	ØD	b	B	C	NBR	PU
A101-024	24X34X5	24	34	5	6	4,5	NBR	PU
A101-024/2	24X40X8	24	40	8	9	6	NBR	PU
A101-024/6	24,5X32X5	24,5	32	5	6	3,5	NBR	PU
A101-025/5	25X32X4	25	32	4	4,5	3,5	NBR	PU
A101-025/18	25X32X7	25	32	7	8	3,5	NBR	PU
A101-025/1	25X33X4	25	33	4	4,5	4	NBR	PU
A101-025/9	25X33X5	25	33	5	6	4	NBR	PU
A101-025/21	25X33X5,5	25	33	5,5	6,5	4	NBR	PU
A101-025/20	25X33X6	25	33	6	7	4	NBR	PU
A101-025/19	25X33X6,5	25	33	6,5	7,5	4	NBR	PU
A101-025/6	25X33X7	25	33	7	8	4	NBR	PU
A101-025/12	25X35X5	25	35	5	6	4,5	NBR	PU
A101-025/8	25X35X6	25	35	6	7	4,5	NBR	PU
A101-025/13	25X35X7	25	35	7	8	4,5	NBR	PU
A101-025/14	25X35X8	25	35	8	9	4,5	NBR	PU
A101-025/10	25X35X10	25	35	10	11	4,5	NBR	PU
A101-025/11	25X36X6,9	25	36	6,9	7,9	5	NBR	PU
A101-025/15	25X37X7	25	37	7	8	5	NBR	PU
A101-025/24	25X38X6	25	38	6	7	5	NBR	PU
A101-025/2	25X38X7	25	38	7	8	5	NBR	PU
A101-025/16	25X38X9	25	38	9	10	5	NBR	PU
A101-025/3	25X38X10	25	38	10	11	5	NBR	PU
A101-025/22	25X40X7,5	25	40	7,5	8,5	5,5	NBR	PU
A101-025	25X40X10	25	40	10	11	5,5	NBR	PU
A101-025/7	25X40X11	25	40	11	12	5,5	NBR	PU
A101-025/17	25X45X10	25	45	10	11	6	NBR	PU
A101-025/4	25X50X12	25	50	12	13	7	NBR	PU
A101-025/23	25,4X31,75X6,35	25,4	31,75	6,35	7,35	3	NBR	PU
A101-026	26X42X8	26	42	8	9	6	NBR	PU
A101-027	27X35X4	27	35	4	4,5	4	NBR	PU
A101-027/2	27X36X6	27	36	6	7	4	NBR	PU
A101-027/1	27X38X6	27	38	6	7	5	NBR	PU
A101-028	28X32,8X3	28	32,8	3	3,5	2	NBR	PU
A101-028/21	28X33X3	28	33	3	3,5	2,5	NBR	PU
A101-028/16	28X33X6	28	33	6	7	2,5	NBR	PU
A101-028/19	28X35X5	28	35	5	6	3,5	NBR	PU
A101-028/9	28X35X6	28	35	6	7	3,5	NBR	PU
A101-028/18	28X35,5X5	28	35,5	5	6	3,5	NBR	PU
A101-028/5	28X36X4	28	36	4	4,5	4	NBR	PU

A101

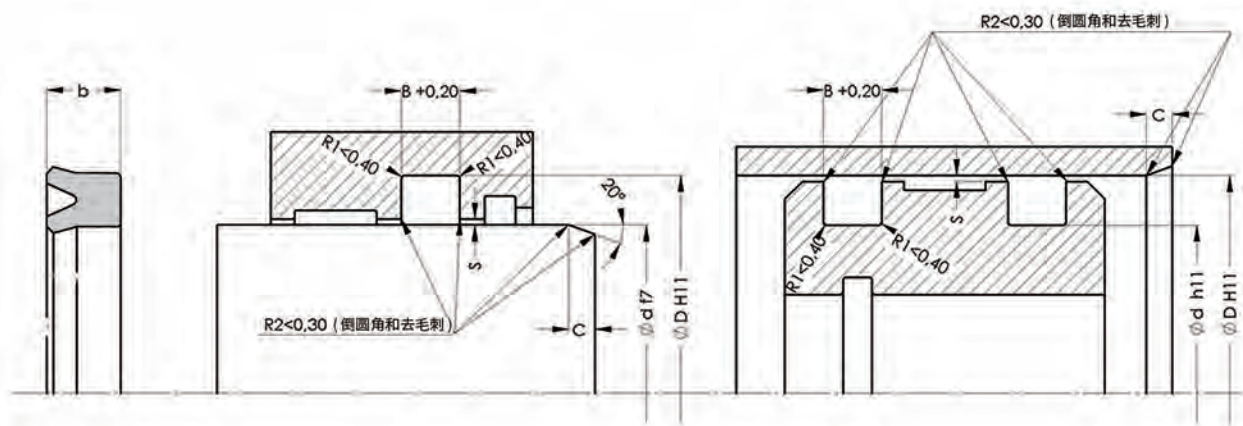


全球密封方案

ALP 码 - Code	尺寸 - Dimension	Ød	ØD	b	B	C	NBR	PU
A101-028/11	28X36X5	28	36	5	6	4	NBR	PU
A101-028/10	28X36X6	28	36	6	7	4	NBR	PU
A101-028/15	28X36X8	28	36	8	9	4	NBR	PU
A101-028/22	28X36X10	28	36	10	11	5	NBR	PU
A101-028/3	28X38X5	28	38	5	6	4,5	NBR	PU
A101-028/20	28X38X7	28	38	7	8	4,5	NBR	PU
A101-028/17	28X38X8	28	38	8	9	4,5	NBR	PU
A101-028/12	28X38X10	28	38	10	11	4,5	NBR	PU
A101-028/6	28X40X6	28	40	6	7	5	NBR	PU
A101-028/14	28X40X8	28	40	8	9	5	NBR	PU
A101-028/2	28X40X10	28	40	10	11	5	NBR	PU
A101-028/1	28X43X10	28	43	10	11	5,5	NBR	PU
A101-028/13	28X44X8	28	44	8	9	6	NBR	PU
A101-028/4	28X48X8,5	28	48	8,5	9,5	6	NBR	PU
A101-028/7	28X48X10	28	48	10	11	6	NBR	PU
A101-028/8	28X48X12	28	48	12	13	6	NBR	PU
A101-030/14	30X36X3	30	36	3	3,5	3	NBR	PU
A101-030/12	30X37X6	30	37	6	7	3,5	NBR	PU
A101-030/2	30X37X8	30	37	8	9	3,5	NBR	PU
A101-030/9	30X38X4	30	38	4	4,5	4	NBR	PU
A101-030/19	30X38X5	30	38	5	6	4	NBR	PU
A101-030/10	30X38X5,5	30	38	5,5	6,5	4	NBR	PU
A101-030/13	30X38X6	30	38	6	7	4	NBR	PU
A101-030/3	30X38X10	30	38	10	11	4	NBR	PU
A101-030/17	30X40X5	30	40	5	6	4,5	NBR	PU
A101-030/11	30X40X6	30	40	6	7	4,5	NBR	PU
A101-030/20	30X40X6,5	30	40	6,5	7,5	4,5	NBR	PU
A101-030/8	30X40X7	30	40	7	8	4,5	NBR	PU
A101-030/4	30X40X8	30	40	8	9	4,5	NBR	PU
A101-030/1	30X40X10	30	40	10	11	4,5	NBR	PU
A101-030/5	30X42X10	30	42	10	11	5	NBR	PU
A101-030/18	30X43X10	30	43	10	11	5	NBR	PU
A101-030/15	30X45X9	30	45	9	10	5,5	NBR	PU
A101-030	30X45X10	30	45	10	11	5,5	NBR	PU
A101-030/16	30X50X8	30	50	8	9	6	NBR	PU
A101-030/6	30X50X10	30	50	10	11	6	NBR	PU
A101-030/7	30X50X12	30	50	12	13	6	NBR	PU
A101-031	31,5X41,5X6	31,5	41,5	6	7	4,5	NBR	PU
A101-031/1	31,5X46,5X10,2	31,5	46,5	10,2	11,2	5,5	NBR	PU
A101-032/9	32X40X4	32	40	4	4,5	4	NBR	PU
A101-032/10	32X40X5	32	40	5	6	4	NBR	PU
A101-032/12	32X40X5,7	32	40	5,7	6,7	4	NBR	PU
A101-032/1	32X40X8	32	40	8	9	4	NBR	PU
A101-032/15	32X40X10	32	40	10	11	4	NBR	PU
A101-032/6	32X42X6	32	42	6	7	4,5	NBR	PU
A101-032/14	32X42X7	32	42	7	8	4,5	NBR	PU
A101-032/13	32X42X8	32	42	8	9	4,5	NBR	PU
A101-032/17	32X42X10	32	42	10	11	4,5	NBR	PU
A101-032/3	32X44X6	32	44	6	7	5	NBR	PU
A101-032/11	32X44X6,35	32	44	6,35	7,35	5	NBR	PU
A101-032/18	32X44X11,5	32	44	11,5	12,5	5	NBR	PU
A101-032/4	32X45X8	32	45	8	9	5	NBR	PU
A101-032/7	32X45X10	32	45	10	11	5	NBR	PU
A101-032	32X47X10	32	47	10	11	5,5	NBR	PU

A101





ALP 码 - Code	尺寸 - Dimension	Ød	ØD	b	B	C	NBR	PU
A101-032/5	32X48X10	32	48	10	11	6	NBR	PU
A101-032/16	32X50X10	32	50	10	11	6	NBR	PU
A101-032/8	32X50X12	32	50	12	13	6	NBR	PU
A101-032/2	32X52X10	32	52	10	11	6	NBR	PU
A101-033/2	33X40X4	33	40	4	4,5	3,5	NBR	PU
A101-033	33X43X6	33	43	6	7	4,5	NBR	PU
A101-033/1	33X43X10	33	43	10	11	4,5	NBR	PU
A101-033/3	33X45X10	33	45	10	11	5	NBR	PU
A101-034/2	34X42X10	34	42	10	11	5	NBR	PU
A101-034	34X44X5	34	44	5	6	4,5	NBR	PU
A101-034/1	34X44X9	34	44	9	10	4,5	NBR	PU
A101-035/16	35X42X4	35	42	4	4,5	3,5	NBR	PU
A101-035/1	35X43X6	35	43	6	7	4	NBR	PU
A101-035/17	35X43X7	35	43	7	8	4	NBR	PU
A101-035/2	35X45X6	35	45	6	7	4,5	NBR	PU
A101-035/11	35X45X7	35	45	7	8	4,5	NBR	PU
A101-035/10	35X45X8	35	45	8	9	4,5	NBR	PU
A101-035/5	35X45X10	35	45	10	11	4,5	NBR	PU
A101-035/13	35X46X8	35	46	8	9	5	NBR	PU
A101-035/3	35X47X6	35	47	6	7	5	NBR	PU
A101-035/14	35X48X8	35	48	8	9	5	NBR	PU
A101-035/15	35X48X10	35	48	10	11	5	NBR	PU
A101-035/4	35X50X7,5	35	50	7,5	8,5	5,5	NBR	PU
A101-035/9	35X50X8	35	50	8	9	5,5	NBR	PU
A101-035	35X50X10	35	50	10	11	5,5	NBR	PU
A101-035/8	35X52X12	35	52	12	13	6	NBR	PU
A101-035/6	35X55X10	35	55	10	11	6	NBR	PU
A101-035/7	35X55X12	35	55	12	13	6	NBR	PU
A101-035/12	35,5X45X6	35,5	45	6	7	4	NBR	PU
A101-036/8	36X43X6	36	43	6	7	3,5	NBR	PU
A101-036/6	36X44X4	36	44	4	4,5	4	NBR	PU
A101-036/11	36X44X5,7	36	44	5,7	6,7	4	NBR	PU
A101-036/12	36X44X8	36	44	8	9	4	NBR	PU
A101-036/7	36X46X5	36	46	5	6	4,5	NBR	PU
A101-036/5	36X46X6	36	46	6	7	4,5	NBR	PU
A101-036/3	36X46X7	36	46	7	8	4,5	NBR	PU
A101-036/9	36X46X8	36	46	8	9	4,5	NBR	PU
A101-036/4	36X48X6	36	48	6	7	5	NBR	PU
A101-036/10	36X48X10	36	48	10	11	5	NBR	PU

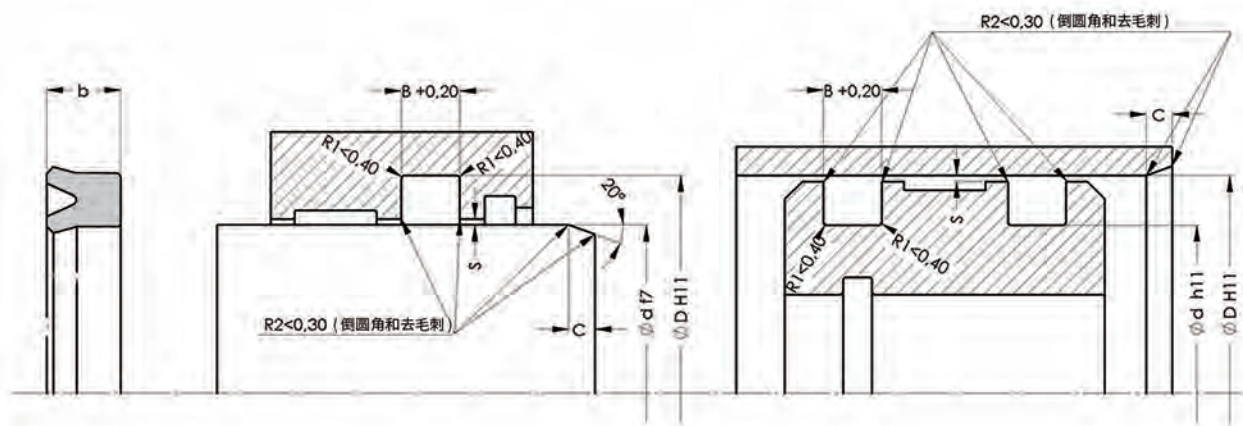
A101



全球密封方案

ALP 码 - Code	尺寸 - Dimension	Ød	ØD	b	B	C	NBR	PU
A101-036/2	36X50X8	36	50	8	9	5,5	NBR	PU
A101-036/1	36X51X7,1	36	51	7,1	8,1	5,5	NBR	PU
A101-036	36X51X10	36	51	10	11	5,5	NBR	PU
A101-038/10	38X45X5	38	45	5	6	5,5	NBR	PU
A101-038/11	38X45X6	38	45	6	7	3,5	NBR	PU
A101-038/14	38X45X9	38	45	9	10	3,5	NBR	PU
A101-038/8	38X48X6	38	48	6	7	4,5	NBR	PU
A101-038/12	38X48X7,5	38	48	7,5	8,5	4,5	NBR	PU
A101-038/13	38X48X8	38	48	8	9	4,5	NBR	PU
A101-038/3	38X50X6	38	50	6	7	5	NBR	PU
A101-038/7	38X50X9	38	50	9	10	5	NBR	PU
A101-038/4	38X50X10	38	50	10	11	5	NBR	PU
A101-038	38X52,5X9,5	38	52,5	9,5	10,5	5,5	NBR	PU
A101-038/1	38X55X10	38	55	10	11	6	NBR	PU
A101-038/2	38X58X10	38	58	10	11	6	NBR	PU
A101-038/9	38,1X47,62X6,35	38,1	47,62	6,35	7,35	4	NBR	PU
A101-038/5	38,1X50,8X6,35	38,1	50,8	6,35	7,35	5	NBR	PU
A101-038/6	38,1X50,8X7,14	38,1	50,8	7,14	8,14	5	NBR	PU
A101-039	39X58X10	39	58	10	11	6	NBR	PU
A101-040/17	40X48X8	40	48	8	9	4	NBR	PU
A101-040/23	40X48X10	40	48	10	11	4	NBR	PU
A101-040/6	40X48X11	40	48	11	12	4	NBR	PU
A101-040/2	40X50X5	40	50	5	6	4,5	NBR	PU
A101-040/1	40X50X6	40	50	6	7	4,5	NBR	PU
A101-040/27	40X50X6,5	40	50	6,5	7,5	4,5	NBR	PU
A101-040/14	40X50X7	40	50	7	8	4,5	NBR	PU
A101-040/3	40X50X8	40	50	8	9	4,5	NBR	PU
A101-040/13	40X50X9	40	50	9	10	4,5	NBR	PU
A101-040/9	40X50X10	40	50	10	11	4,5	NBR	PU
A101-040/21	40X50X11	40	50	11	12	4,5	NBR	PU
A101-040/8	40X52X6	40	52	6	7	5	NBR	PU
A101-040/26	40X52X8	40	52	8	9	5	NBR	PU
A101-040/25	40X52X10	40	52	10	11	5	NBR	PU
A101-040/10	40X52X12	40	52	12	13	5	NBR	PU
A101-040/7	40X55X7	40	55	7	8	5,5	NBR	PU
A101-040/20	40X55X8	40	55	8	9	5,5	NBR	PU
A101-040	40X55X10	40	55	10	11	5,5	NBR	PU
A101-040/19	40X55X10,5	40	55	10,5	11,5	5,5	NBR	PU
A101-040/24	40X55X12	40	55	12	13	5,5	NBR	PU
A101-040/16	40X56X6	40	56	6	7	6	NBR	PU
A101-040/5	40X56X8	40	56	8	9	6	NBR	PU
A101-040/15	40X56X10	40	56	10	11	6	NBR	PU
A101-040/18	40X59X10	40	59	10	11	6	NBR	PU
A101-040/11	40X60X10	40	60	10	11	6	NBR	PU
A101-040/12	40X60X12	40	60	12	13	6	NBR	PU
A101-040/4	40X65X10	40	65	10	11	7	NBR	PU
A101-040/22	40X65X12	40	65	12	13	7	NBR	PU
A101-042	42X50X5	42	50	5	6	4	NBR	PU
A101-042/6	42X50X6	42	50	6	7	4	NBR	PU
A101-042/3	42X50X8	42	50	8	9	4	NBR	PU
A101-042/4	42X51X11	42	51	11	12	4	NBR	PU
A101-042/7	42X52X7	42	52	7	8	4,5	NBR	PU
A101-042/5	42X52X10	42	52	10	11	4,5	NBR	PU
A101-042/8	42X53X10	42	53	10	11	5	NBR	PU

A101



ALP 码 - Code	尺寸 - Dimension	Ød	ØD	b	B	C	NBR	PU
A101-042/10	42X55X8	42	55	8	9	5	NBR	PU
A101-042/2	42X57X8	42	57	8	9	5,5	NBR	PU
A101-042/1	42X62X12	42	62	12	13	6	NBR	PU
A101-042/9	42X63X10	42	63	10	11	6	NBR	PU
A101-043	43X63X10	43	63	10	11	6	NBR	PU
A101-044	44X57X9	44	57	9	10	5	NBR	PU
A101-045/1	45X53X7	45	53	7	8	4	NBR	PU
A101-045/11	45X53X8	45	53	8	9	4	NBR	PU
A101-045/18	45X53X10	45	53	10	11	4	NBR	PU
A101-045/10	45X55X6	45	55	6	7	4,5	NBR	PU
A101-045/14	45X55X7	45	55	7	8	4,5	NBR	PU
A101-045/13	45X55X8	45	55	8	9	4,5	NBR	PU
A101-045/2	45X55X10	45	55	10	11	4,5	NBR	PU
A101-045/17	45X56X7	45	56	7	8	5	NBR	PU
A101-045/19	45X56X8	45	56	8	9	5	NBR	PU
A101-045/5	45X57X6	45	57	6	7	5	NBR	PU
A101-045/4	45X58X10	45	58	10	11	5	NBR	PU
A101-045	45X60X10	45	60	10	11	5,5	NBR	PU
A101-045/12	45X62X6	45	62	6	7	6	NBR	PU
A101-045/3	45X63X10	45	63	10	11	6	NBR	PU
A101-045/6	45X63X12	45	63	12	13	6	NBR	PU
A101-045/7	45X65X10	45	65	10	11	6	NBR	PU
A101-045/8	45X65X12	45	65	12	13	6	NBR	PU
A101-045/9	45X70X12	45	70	12	13	7	NBR	PU
A101-046	46X70X12	46	70	12	13	7	NBR	PU
A101-047	47X65X12	47	65	12	13	6	NBR	PU
A101-047/2	47,62X57,15X6,35	47,62	57,15	6,35	7,35	4	NBR	PU
A101-047/1	47,62X63,5X11,5	47,62	63,5	11,5	12,5	6	NBR	PU
A101-048/3	48X58X6,5	48	58	6,5	7,5	4,5	NBR	PU
A101-048/8	48X58X10	48	58	10	11	4,5	NBR	PU
A101-048/5	48X60X6	48	60	6	7	5	NBR	PU
A101-048/1	48X60X9	48	60	9	10	5	NBR	PU
A101-048/9	48X60X10	48	60	10	11	5	NBR	PU
A101-048/6	48X63X10	48	63	10	11	5,5	NBR	PU
A101-048	48X63X12	48	63	12	13	5,5	NBR	PU
A101-048/4	48X68X10	48	68	10	11	6	NBR	PU
A101-048/2	48X68X12	48	68	12	13	6	NBR	PU
A101-050/7	50X57X10	50	57	10	11	3,5	NBR	PU
A101-050/3	50X58X8	50	58	8	9	4	NBR	PU

A101

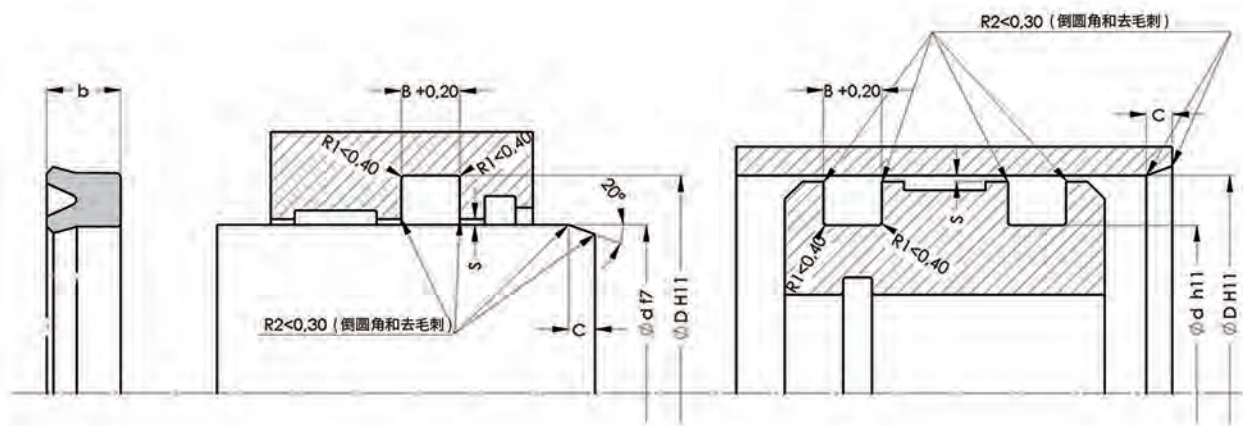


全球密封方案

ALP 码 - Code	尺寸 - Dimension	Ød	ØD	b	B	C	NBR	PU
A101-050/11	50X60X5	50	60	5	6	4,5	NBR	PU
A101-050/4	50X60X6	50	60	6	7	4,5	NBR	PU
A101-050/25	50X60X6,5	50	60	6,5	7,5	4,5	NBR	PU
A101-050/6	50X60X7	50	60	7	8	4,5	NBR	PU
A101-050/2	50X60X8	50	60	8	9	4,5	NBR	PU
A101-050/1	50X60X10	50	60	10	11	4,5	NBR	PU
A101-050/5	50X60X12	50	60	12	13	4,5	NBR	PU
A101-050/9	50X62X6	50	62	6	7	5	NBR	PU
A101-050/10	50X62X9	50	62	9	10	5	NBR	PU
A101-050/8	50X63X6	50	63	6	7	5	NBR	PU
A101-050/23	50X63X7	50	63	7	8	5	NBR	PU
A101-050/12	50X63X8	50	63	8	9	5	NBR	PU
A101-050/13	50X63X9	50	63	9	10	5	NBR	PU
A101-050/22	50X63X10	50	63	10	11	5	NBR	PU
A101-050/21	50X65X9	50	65	9	10	5,5	NBR	PU
A101-050	50X65X10	50	65	10	11	5,5	NBR	PU
A101-050/14	50X65X12	50	65	12	13	5,5	NBR	PU
A101-050/24	50X68X8	50	68	8	9	6	NBR	PU
A101-050/15	50X68X12	50	68	12	13	6	NBR	PU
A101-050/16	50X70X8	50	70	8	9	6	NBR	PU
A101-050/17	50X70X10	50	70	10	11	6	NBR	PU
A101-050/18	50X70X12	50	70	12	13	6	NBR	PU
A101-050/20	50,8X60,3X4,76	50,8	60,3	4,76	5,76	4	NBR	PU
A101-050/19	50,8X63,5X9,52	50,8	63,5	9,52	10,52	5	NBR	PU
A101-052/1	52X62X6	52	62	6	7	4,5	NBR	PU
A101-052/3	52X62X7	52	62	7	8	4,5	NBR	PU
A101-052/4	52X62X8	52	62	8	9	4,5	NBR	PU
A101-052	52X62X12	52	62	12	13	4,5	NBR	PU
A101-052/2	52X72X10	52	72	10	11	6	NBR	PU
A101-053/6	53X63X5	53	63	5	6	4,5	NBR	PU
A101-053/4	53X63X6	53	63	6	7	4,5	NBR	PU
A101-053/3	53X63X6,5	53	63	6,5	7,5	4,5	NBR	PU
A101-053/7	53X63X7	53	63	7	8	4,5	NBR	PU
A101-053/1	53X63X7,5	53	63	7,5	8,5	4,5	NBR	PU
A101-053/8	53X63X8	53	63	8	9	4,5	NBR	PU
A101-053	53X63X12	53	63	12	13	4,5	NBR	PU
A101-053/5	53X73X12	53	73	12	13	6	NBR	PU
A101-055/9	55X63X8	55	63	8	9	4	NBR	PU
A101-055/15	55X63X10	55	63	10	11	4	NBR	PU
A101-055/2	55X65X5	55	65	5	6	4,5	NBR	PU
A101-055/10	55X65X6	55	65	6	7	4,5	NBR	PU
A101-055/16	55X65X6,5	55	65	6,5	7,5	4,5	NBR	PU
A101-055/14	55X65X8	55	65	8	9	4,5	NBR	PU
A101-055/8	55X65X10	55	65	10	11	4,5	NBR	PU
A101-055/1	55X65X12	55	65	12	13	4,5	NBR	PU
A101-055/11	55X67X10	55	67	10	11	5	NBR	PU
A101-055/3	55X70X7,5	55	70	7,5	8,5	5,5	NBR	PU
A101-055/4	55X70X10	55	70	10	11	5,5	NBR	PU
A101-055/5	55X70X12	55	70	12	13	5,5	NBR	PU
A101-055/12	55X75X10	55	75	10	11	6	NBR	PU
A101-055	55X75X12	55	75	12	13	6	NBR	PU
A101-055/13	55X80X10	55	80	10	11	7	NBR	PU
A101-055/7	55X80X12	55	80	12	13	7	NBR	PU
A101-055/6	55X80X15	55	80	15	16	7	NBR	PU

A101





ALP 码 - Code	尺寸 - Dimension	Ød	ØD	b	B	C	NBR	PU
A101-056/3	56X66X5	56	66	5	6	4,5	NBR	PU
A101-056/5	56X66X6	56	66	6	7	4,5	NBR	PU
A101-056/6	56X66X10	56	66	10	11	4,5	NBR	PU
A101-056/4	56X70X12	56	70	12	13	5,5	NBR	PU
A101-056/2	56X71X10	56	71	10	11	5,5	NBR	PU
A101-056	56X76X12	56	76	12	13	6	NBR	PU
A101-056/1	56X80X15	56	80	15	16	7	NBR	PU
A101-057	57,15X69,85X10	57,15	69,85	10	11	5	NBR	PU
A101-057/1	57,15X76,2X10	57,15	76,2	10	11	6	NBR	PU
A101-058/1	58X68X6	58	68	6	7	4,5	NBR	PU
A101-058	58X70X6	58	70	6	7	5	NBR	PU
A101-060/10	60X68X8	60	68	8	9	4	NBR	PU
A101-060/8	60X70X5	60	70	5	6	4,5	NBR	PU
A101-060/5	60X70X6	60	70	6	7	4,5	NBR	PU
A101-060/6	60X70X7	60	70	7	8	4,5	NBR	PU
A101-060/9	60X70X10	60	70	10	11	4,5	NBR	PU
A101-060/2	60X70X12	60	70	12	13	4,5	NBR	PU
A101-060/4	60X70X13	60	70	13	14	4,5	NBR	PU
A101-060/12	60X71X7	60	71	7	8	5	NBR	PU
A101-060/7	60X75X10	60	75	10	11	5,5	NBR	PU
A101-060/3	60X75X12	60	75	12	13	5,5	NBR	PU
A101-060/1	60X80X10	60	80	10	11	6	NBR	PU
A101-060	60X80X12	60	80	12	13	6	NBR	PU
A101-060/11	60X80X16	60	80	16	17	6	NBR	PU
A101-060/13	60,33X73,02X7,95	60,33	73,02	7,95	8,95	5	NBR	PU
A101-061/2	61X69X8	61	69	8	9	4	NBR	PU
A101-061/1	61X71X6	61	71	6	7	4,5	NBR	PU
A101-061	61X80X12	61	80	12	13	6	NBR	PU
A101-063/1	63X72X6	63	72	6	7	4	NBR	PU
A101-063/6	63X73X6	63	73	6	7	4,5	NBR	PU
A101-063/10	63X73X8	63	73	8	9	4,5	NBR	PU
A101-063/7	63X73X10	63	73	10	11	4,5	NBR	PU
A101-063/2	63X75X10	63	75	10	11	5	NBR	PU
A101-063/8	63X78X10	63	78	10	11	5,5	NBR	PU
A101-063	63X83X12	63	83	12	13	6	NBR	PU
A101-063/9	63,5X76,2X7,92	63,5	76,2	7,92	8,92	5	NBR	PU
A101-063/5	63,5X76,2X9,52	63,5	76,2	9,52	10,52	5	NBR	PU
A101-063/4	63,5X76,2X10,5	63,5	76,2	10,5	11,5	5	NBR	PU
A101-063/3	63,5X82,55X14,28	63,5	82,55	14,28	15,28	6	NBR	PU

A101

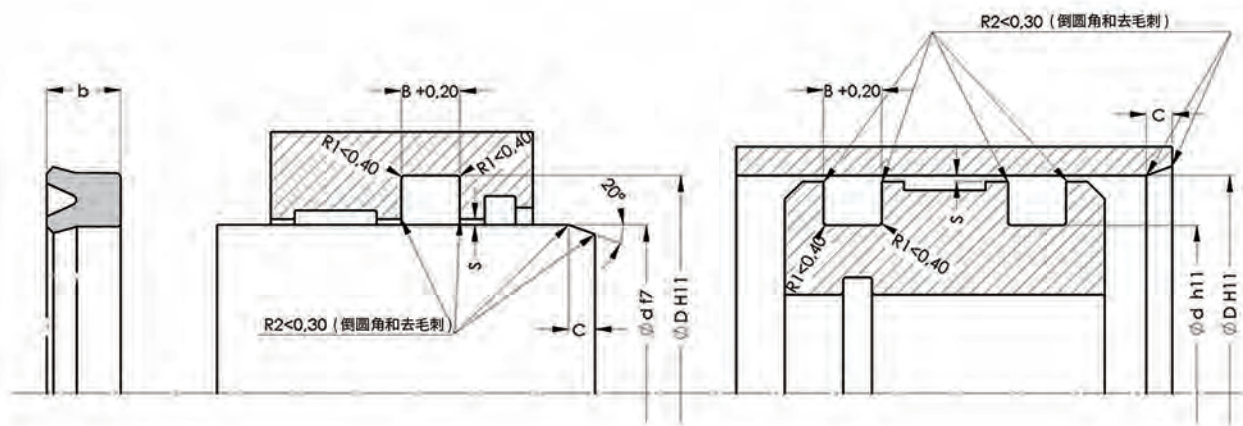


全球密封方案

ALP 码 - Code	尺寸 - Dimension	Ød	ØD	b	B	C	NBR	PU
A101-065/6	65X75X6	65	75	6	7	4,5	NBR	PU
A101-065/5	65X75X10	65	75	10	11	4,5	NBR	PU
A101-065/8	65X75X12	65	75	12	13	4,5	NBR	PU
A101-065/9	65X80X10	65	80	10	11	5,5	NBR	PU
A101-065/12	65X80X11	65	80	11	12	5,5	NBR	PU
A101-065/1	65X80X12	65	80	12	13	5,5	NBR	PU
A101-065/10	65X85X10	65	85	10	11	6	NBR	PU
A101-065	65X85X12	65	85	12	13	6	NBR	PU
A101-065/2	65X90X8	65	90	8	9	7	NBR	PU
A101-065/11	65X90X12	65	90	12	13	7	NBR	PU
A101-065/3	65X90X13	65	90	13	14	7	NBR	PU
A101-065/4	65X90X15	65	90	15	16	7	NBR	PU
A101-066/1	66X76X6	66	76	6	7	4,5	NBR	PU
A101-066	66X77X6	66	77	6	7	5	NBR	PU
A101-067	67X77X6	67	77	6	7	4,5	NBR	PU
A101-068	68X76X9	68	76	9	10	4	NBR	PU
A101-068/2	68X78X10	68	78	10	11	4,5	NBR	PU
A101-068/1	68X80X12	68	80	12	13	5	NBR	PU
A101-070/8	70X78X9	70	78	9	10	4	NBR	PU
A101-070/6	70X80X5	70	80	5	6	4,5	NBR	PU
A101-070/4	70X80X5,5	70	80	5,5	6,5	4,5	NBR	PU
A101-070/12	70X80X6	70	80	6	7	4,5	NBR	PU
A101-070/9	70X80X6,7	70	80	6,7	7,7	4,5	NBR	PU
A101-070/7	70X80X7	70	80	7	8	4,5	NBR	PU
A101-070/2	70X80X8	70	80	8	9	4,5	NBR	PU
A101-070/14	70X80X10	70	80	10	11	4,5	NBR	PU
A101-070/1	70X80X12	70	80	12	13	4,5	NBR	PU
A101-070/10	70X82X9,7	70	82	9,7	10,7	5	NBR	PU
A101-070/20	70X82X10	70	82	10	11	5	NBR	PU
A101-070/13	70X84X10	70	84	10	11	5,5	NBR	PU
A101-070/11	70X85X6	70	85	6	7	5,5	NBR	PU
A101-070/17	70X85X7,5	70	85	7,5	8,5	5,5	NBR	PU
A101-070/16	70X85X8	70	85	8	9	5,5	NBR	PU
A101-070/19	70X85X9	70	85	9	10	5,5	NBR	PU
A101-070/15	70X85X10	70	85	10	11	5,5	NBR	PU
A101-070/3	70X85X12	70	85	12	13	5,5	NBR	PU
A101-070/5	70X90X10	70	90	10	11	6	NBR	PU
A101-070	70X90X12	70	90	12	13	6	NBR	PU
A101-070/18	70X90X15	70	90	15	16	6	NBR	PU
A101-071	71X80X6	71	80	6	7	4	NBR	PU
A101-072	72X90X10	72	90	10	11	6	NBR	PU
A101-075/5	75X85X6	75	85	6	7	4,5	NBR	PU
A101-075/4	75X85X7	75	85	7	8	4,5	NBR	PU
A101-075/8	75X85X10	75	85	10	11	4,5	NBR	PU
A101-075/1	75X85X12	75	85	12	13	4,5	NBR	PU
A101-075/6	75X90X9	75	90	9	10	5,5	NBR	PU
A101-075/3	75X90X10	75	90	10	11	5,5	NBR	PU
A101-075/2	75X90X12	75	90	12	13	5,5	NBR	PU
A101-075/7	75X95X10	75	95	10	11	6	NBR	PU
A101-075	75X95X12	75	95	12	13	6	NBR	PU
A101-076/2	76X84X8	76	84	8	9	4	NBR	PU
A101-076/1	76,2X88,9X9,52	76,2	88,9	9,52	10,52	5	NBR	PU
A101-076	76,2X95,25X10	76,2	95,25	10	11	6	NBR	PU
A101-080/10	80X90X5	80	90	5	6	4,5	NBR	PU

A101





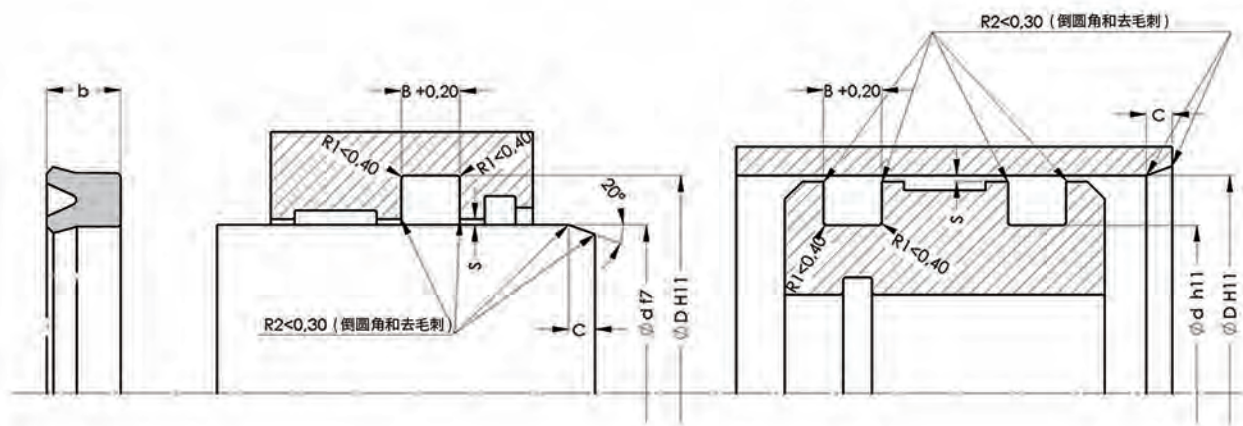
ALP 码 - Code	尺寸 - Dimension	Ød	ØD	b	B	C	NBR	PU
A101-080/1	80X90X5,4	80	90	5,4	6,4	4,5	NBR	PU
A101-080/6	80X90X6	80	90	6	7	4,5	NBR	PU
A101-080/13	80X90X7	80	90	7	8	4,5	NBR	PU
A101-080/16	80X90X9	80	90	9	10	4,5	NBR	PU
A101-080/2	80X90X10	80	90	10	11	4,5	NBR	PU
A101-080/11	80X90X11	80	90	11	12	4,5	NBR	PU
A101-080/7	80X90X12	80	90	12	13	4,5	NBR	PU
A101-080/17	80X92X10	80	92	10	11	5	NBR	PU
A101-080/3	80X95X8	80	95	8	9	5,5	NBR	PU
A101-080/4	80X95X9	80	95	9	10	5,5	NBR	PU
A101-080/12	80X95X10	80	95	10	11	5,5	NBR	PU
A101-080/5	80X95X12	80	95	12	13	5,5	NBR	PU
A101-080/8	80X100X10	80	100	10	11	6	NBR	PU
A101-080	80X100X12	80	100	12	13	6	NBR	PU
A101-080/14	80X100X15	80	100	15	16	6	NBR	PU
A101-080/9	80X105X10	80	105	10	11	7	NBR	PU
A101-080/15	80X105X15	80	105	15	16	7	NBR	PU
A101-082	82X92X10	82	92	10	11	4,5	NBR	PU
A101-082/3	82X95X10	82	95	10	11	5	NBR	PU
A101-082/1	82X102X10	82	102	10	11	6	NBR	PU
A101-082/2	82,55X101,6X14,8	82,55	101,6	14,8	15,8	6	NBR	PU
A101-085/10	85X95X6	85	95	6	7	4,5	NBR	PU
A101-085/2	85X95X9	85	95	9	10	4,5	NBR	PU
A101-085/7	85X95X10	85	95	10	11	4,5	NBR	PU
A101-085/4	85X100X9	85	100	9	10	5,5	NBR	PU
A101-085/8	85X100X10	85	100	10	11	5,5	NBR	PU
A101-085/6	85X100X12	85	100	12	13	5,5	NBR	PU
A101-085/5	85X100X25	85	100	25	26	5,5	NBR	PU
A101-085/1	85X102X9	85	102	9	10	6	NBR	PU
A101-085/11	85X105X10	85	105	10	11	6	NBR	PU
A101-085	85X105X12	85	105	12	13	6	NBR	PU
A101-085/9	85X105X15	85	105	15	16	6	NBR	PU
A101-085/3	85X110X12	85	110	12	13	7	NBR	PU
A101-086	86X96X6	86	96	6	7	4,5	NBR	PU
A101-088/3	88X98X6	88	98	6	7	4,5	NBR	PU
A101-088	88,8X100,5X9,5	88,8	100,5	9,5	10,5	5,5	NBR	PU
A101-088/1	88,8X103,35X12	88,8	103,35	12	13	5,5	NBR	PU
A101-088/2	88,9X107,95X12,7	88,9	107,95	12,7	13,7	6	NBR	PU
A101-090/13	90X100X5	90	100	5	6	4,5	NBR	PU

A101



ALP 码 - Code	尺寸 - Dimension	Ød	ØD	b	B	C	NBR	PU
A101-090/9	90X100X6	90	100	6	7	4,5	NBR	PU
A101-090/1	90X100X6,8	90	100	6,8	7,8	4,5	NBR	PU
A101-090/4	90X100X8	90	100	8	9	4,5	NBR	PU
A101-090/10	90X100X10	90	100	10	11	4,5	NBR	PU
A101-090/12	90X100X12	90	100	12	13	4,5	NBR	PU
A101-090/3	90X105X9	90	105	9	10	5,5	NBR	PU
A101-090/11	90X105X10	90	105	10	11	5,5	NBR	PU
A101-090/8	90X105X12	90	105	12	13	5,5	NBR	PU
A101-090/5	90X110X10	90	110	10	11	6	NBR	PU
A101-090	90X110X12	90	110	12	13	6	NBR	PU
A101-090/6	90X110X15	90	110	15	16	6	NBR	PU
A101-090/7	90X115X12	90	115	12	13	7	NBR	PU
A101-090/2	90X120X15	90	120	15	16	7	NBR	PU
A101-095/4	95X110X9	95	110	9	10	5,5	NBR	PU
A101-095	95X110X10	95	110	10	11	5,5	NBR	PU
A101-095/5	95X110X12	95	110	12	13	5,5	NBR	PU
A101-095/1	95X115X12	95	115	12	13	6	NBR	PU
A101-095/2	95X115X15	95	115	15	16	6	NBR	PU
A101-095/3	95X120X12	95	120	12	13	7	NBR	PU
A101-095/6	95X125X15	95	125	15	16	7	NBR	PU
A101-096	96X105X11	96	105	11	12	4	NBR	PU
A101-098	98X112X9	98	112	9	10	5,5	NBR	PU
A101-100/5	100X110X5	100	110	5	6	4,5	NBR	PU
A101-100/7	100X110X8	100	110	8	9	4,5	NBR	PU
A101-100/4	100X113X12,5	100	113	12,5	13,5	5	NBR	PU
A101-100/9	100X115X9	100	115	9	10	5,5	NBR	PU
A101-100/10	100X115X10	100	115	10	11	5,5	NBR	PU
A101-100/8	100X115X12	100	115	12	13	5,5	NBR	PU
A101-100/11	100X115X13	100	115	13	14	5,5	NBR	PU
A101-100/12	100X120X10	100	120	10	11	6	NBR	PU
A101-100/1	100X120X12	100	120	12	13	6	NBR	PU
A101-100/2	100X120X15	100	120	15	16	6	NBR	PU
A101-100/13	100X125X12	100	125	12	13	7	NBR	PU
A101-100	100X125X15	100	125	15	16	7	NBR	PU
A101-100/6	100X130X15	100	130	15	16	7	NBR	PU
A101-100/3	100X130X18	100	130	18	19	7	NBR	PU
A101-101	101,5X114,3X9,5	101,5	114,3	9,5	10,5	5	NBR	PU
A101-101/1	101,6X127X19,5	101,6	127	19,5	20,5	7	NBR	PU
A101-105/7	105X115X12	105	115	12	13	4,5	NBR	PU
A101-105/1	105X120X8	105	120	8	9	5,5	NBR	PU
A101-105/8	105X120X9	105	120	9	10	5,5	NBR	PU
A101-105/10	105X120X11	105	120	11	12	5,5	NBR	PU
A101-105/3	105X120X12	105	120	12	13	5,5	NBR	PU
A101-105/4	105X120X15	105	120	15	16	5,5	NBR	PU
A101-105/9	105X125X10	105	125	10	11	6	NBR	PU
A101-105/5	105X125X12	105	125	12	13	6	NBR	PU
A101-105/6	105X125X15	105	125	15	16	6	NBR	PU
A101-105	105X130X15	105	130	15	16	7	NBR	PU
A101-105/2	105X130X18	105	130	18	19	7	NBR	PU
A101-106	106X120X8,5	106	120	8,5	9,5	5,5	NBR	PU
A101-106/1	106X120X9	106	120	9	10	5,5	NBR	PU
A101-107	107X130X15	107	130	15	16	7	NBR	PU
A101-110/1	110X120X8	110	120	8	9	4,5	NBR	PU
A101-110/9	110X125X9	110	125	9	10	5,5	NBR	PU

A101



ALP 码 - Code	尺寸 - Dimension	Ød	ØD	b	B	C	NBR	PU
A101-110/3	110X125X12	110	125	12	13	5,5	NBR	PU
A101-110/4	110X130X10	110	130	10	11	6	NBR	PU
A101-110/7	110X130X11,5	110	130	11,5	12,5	6	NBR	PU
A101-110/6	110X130X12	110	130	12	13	6	NBR	PU
A101-110/5	110X130X15	110	130	15	16	6	NBR	PU
A101-110/8	110X130X18	110	130	18	19	6	NBR	PU
A101-110/10	110X135X12	110	135	12	13	7	NBR	PU
A101-110	110X135X18	110	135	18	19	7	NBR	PU
A101-110/2	110X140X18	110	140	18	19	7	NBR	PU
A101-112/1	112X125X8,5	112	125	8,5	9,5	5	NBR	PU
A101-112	112X125X9	112	125	9	10	5	NBR	PU
A101-114	114,80X125X5,70	114,8	125	5,7	6,7	4,5	NBR	PU
A101-115/1	115X125X8	115	125	8	9	4,5	NBR	PU
A101-115/7	115X125X12	115	125	12	13	4,5	NBR	PU
A101-115/4	115X125X15	115	125	15	16	4,5	NBR	PU
A101-115/5	115X130X9	115	130	9	10	5,5	NBR	PU
A101-115/3	115X130X10	115	130	10	11	5,5	NBR	PU
A101-115/10	115X130X15	115	130	15	16	5,5	NBR	PU
A101-115/2	115X135X15	115	135	15	16	6	NBR	PU
A101-115/6	115X140X15	115	140	15	16	7	NBR	PU
A101-115	115X140X18	115	140	18	19	7	NBR	PU
A101-115/9	115X145X12	115	145	12	13	7	NBR	PU
A101-115/8	115X145X15	115	145	15	16	7	NBR	PU
A101-118/1	118X132X8,5	118	132	8,5	9,5	5,5	NBR	PU
A101-118	118,07X127X5,9	118,07	127	5,9	6,9	4,5	NBR	PU
A101-120/7	120X128X6	120	128	6	7	4	NBR	PU
A101-120/5	120X130X7	120	130	7	8	4,5	NBR	PU
A101-120/2	120X132X10	120	132	10	11	5	NBR	PU
A101-120/9	120X135X9	120	135	9	10	5,5	NBR	PU
A101-120/10	120X135X15	120	135	15	16	5,5	NBR	PU
A101-120/4	120X140X10	120	140	10	11	6	NBR	PU
A101-120/8	120X140X12	120	140	12	13	6	NBR	PU
A101-120/6	120X140X15	120	140	15	16	6	NBR	PU
A101-120	120X145X18	120	145	18	19	7	NBR	PU
A101-120/1	120X150X15	120	150	15	16	7	NBR	PU
A101-120/3	120X150X18	120	150	18	19	7	NBR	PU
A101-125/6	125X140X8,5	125	140	8,5	9,5	5,5	NBR	PU
A101-125/5	125X140X9	125	140	9	10	5,5	NBR	PU
A101-125/2	125X140X11	125	140	11	12	5,5	NBR	PU

A101

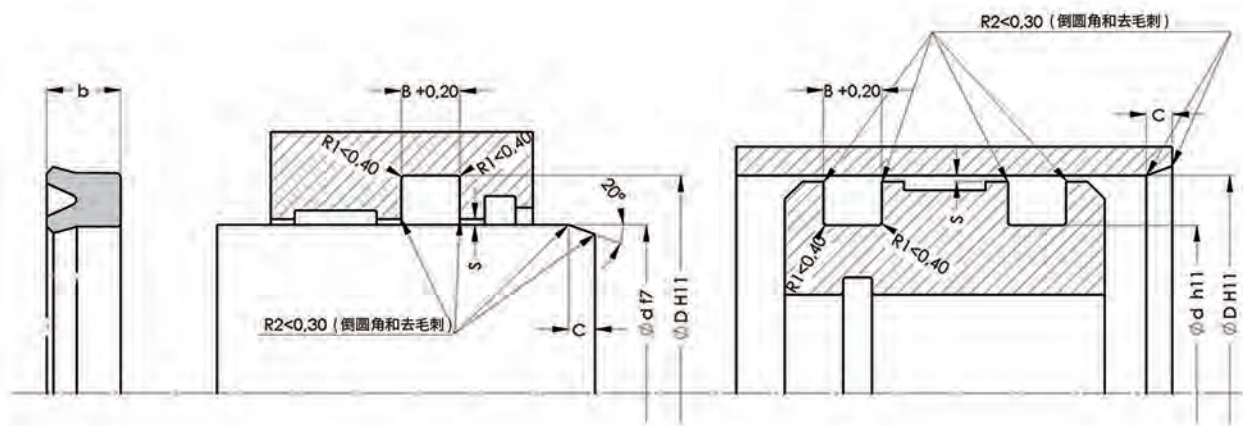


全球密封方案

ALP 码 - Code	尺寸 - Dimension	Ød	ØD	b	B	C	NBR	PU
A101-125/4	125X145X10	125	145	10	11	6	NBR	PU
A101-125/3	125X145X15	125	145	15	16	6	NBR	PU
A101-125/1	125X150X18	125	150	18	19	7	NBR	PU
A101-125/8	125X155X15	125	155	15	16	7	NBR	PU
A101-125	125X155X18	125	155	18	19	7	NBR	PU
A101-127/1	127X151X16	127	151	16	17	7	NBR	PU
A101-127/2	127X152,4X19,5	127	152,4	19,5	20,5	7	NBR	PU
A101-130/7	130X140X5	130	140	5	6	4,5	NBR	PU
A101-130/2	130X140X8	130	140	8	9	4,5	NBR	PU
A101-130/6	130X145X9	130	145	9	10	5,5	NBR	PU
A101-130	130X150X15	130	150	15	16	6	NBR	PU
A101-130/9	130X150X16	130	150	16	17	6	NBR	PU
A101-130/3	130X152X13	130	152	13	14	6	NBR	PU
A101-130/4	130X160X12	130	160	12	13	7	NBR	PU
A101-130/5	130X160X15	130	160	15	16	7	NBR	PU
A101-130/1	130X160X18	130	160	18	19	7	NBR	PU
A101-135/3	135X150X9	135	150	9	10	5,5	NBR	PU
A101-135/1	135X150X15	135	150	15	16	5,5	NBR	PU
A101-135/2	135X165X15	135	165	15	16	7	NBR	PU
A101-136	136X150X9	136	150	9	10	5,5	NBR	PU
A101-137,5	137,5X152X10,9	137,5	152	10,9	11,9	5,5	NBR	PU
A101-140/7	140X150X6	140	150	6	7	4,5	NBR	PU
A101-140/5	140X155X9	140	155	9	10	5,5	NBR	PU
A101-140/2	140X160X8	140	160	8	9	6	NBR	PU
A101-140/3	140X160X10	140	160	10	11	6	NBR	PU
A101-140/6	140X160X12	140	160	12	13	6	NBR	PU
A101-140/1	140X160X15	140	160	15	16	6	NBR	PU
A101-140/10	140X160X16	140	160	16	17	6	NBR	PU
A101-140/8	140X165X15	140	165	15	16	7	NBR	PU
A101-140/4	140X165X18	140	165	18	19	7	NBR	PU
A101-140	140X170X18	140	170	18	19	7	NBR	PU
A101-145	145X160X8	145	160	8	9	5,5	NBR	PU
A101-145/3	145X160X9	145	160	9	10	5,5	NBR	PU
A101-145/1	145X170X18	145	170	18	19	7	NBR	PU
A101-145/2	145X175X18	145	175	18	19	7	NBR	PU
A101-150/4	150X165X9	150	165	9	10	5,5	NBR	PU
A101-150/5	150X165X10	150	165	10	11	5,5	NBR	PU
A101-150/3	150X170X12	150	170	12	13	6	NBR	PU
A101-150/1	150X170X15	150	170	15	16	6	NBR	PU
A101-150/2	150X180X15	150	180	15	16	7	NBR	PU
A101-150	150X180X18	150	180	18	19	7	NBR	PU
A101-151	151X163X12,7	151	163	12,7	13,7	5,5	NBR	PU
A101-152	152,4X177,8X19,5	152,4	177,8	19,5	20,5	7	NBR	PU
A101-155/2	155X170X9	155	170	9	10	5,5	NBR	PU
A101-155	155X175X14	155	175	14	15	6	NBR	PU
A101-155/1	155X175X15	155	175	15	16	6	NBR	PU
A101-160/3	160X170X5	160	170	5	6	4,5	NBR	PU
A101-160/4	160X175X9	160	175	9	10	5,5	NBR	PU
A101-160/1	160X180X15	160	180	15	16	6	NBR	PU
A101-160/5	160X185X15	160	185	15	16	7	NBR	PU
A101-160	160X190X22	160	190	22	23	7	NBR	PU
A101-160/2	160X195X17	160	195	17	18	9	NBR	PU
A101-165/2	165X180X9	165	180	9	10	5,5	NBR	PU
A101-165	165X185X15	165	185	15	16	6	NBR	PU

A101





ALP 码 - Code	尺寸 - Dimension	Ød	ØD	b	B	C	NBR	PU
A101-165/1	165X195X20	165	195	20	21	7	NBR	PU
A101-168	168X180X14	168	180	14	15	5	NBR	PU
A101-170/5	170X185X9	170	185	9	10	5,5	NBR	PU
A101-170/4	170X190X10	170	190	10	11	6	NBR	PU
A101-170/2	170X190X15	170	190	15	16	6	NBR	PU
A101-170	170X200X15	170	200	15	16	7	NBR	PU
A101-170/1	170X200X22	170	200	22	23	7	NBR	PU
A101-175/4	175X190X9	175	190	9	10	5,5	NBR	PU
A101-175/3	175X195X15	175	195	15	16	6	NBR	PU
A101-175/2	175X200X15	175	200	15	16	7	NBR	PU
A101-175/1	175X200X16	175	200	16	17	7	NBR	PU
A101-175	175X215X20	175	215	20	21	9	NBR	PU
A101-177	177,8X203,2X22,7	177,8	203,2	22,7	23,7	7	NBR	PU
A101-180/3	180X200X12	180	200	12	13	6	NBR	PU
A101-180/1	180X200X15	180	200	15	16	6	NBR	PU
A101-180/2	180X205X15	180	205	15	16	7	NBR	PU
A101-180	180X210X22	180	210	22	23	7	NBR	PU
A101-185	185X195X12	185	195	12	13	4,5	NBR	PU
A101-185/1	185X200X9	185	200	9	10	5,5	NBR	PU
A101-190/3	190X210X12	190	210	12	13	6	NBR	PU
A101-190/1	190X210X15	190	210	15	16	6	NBR	PU
A101-190/2	190X215X20	190	215	20	21	7	NBR	PU
A101-190	190X220X25	190	220	25	26	7	NBR	PU
A101-200/6	200X220X12	200	220	12	13	6	NBR	PU
A101-200/3	200X220X15	200	220	15	16	6	NBR	PU
A101-200/7	200X220X16	200	220	16	17	6	NBR	PU
A101-200/5	200X225X18	200	225	18	19	7	NBR	PU
A101-200/8	200X230X15	200	230	15	16	7	NBR	PU
A101-200/4	200X230X18	200	230	18	19	7	NBR	PU
A101-200	200X230X22	200	230	22	23	7	NBR	PU
A101-200/2	200X235X20	200	235	20	21	9	NBR	PU
A101-200/1	200X240X20	200	240	20	21	9	NBR	PU
A101-204	204X224X12	204	224	12	13	6	NBR	PU
A101-210/3	210X230X12	210	230	12	13	6	NBR	PU
A101-210	210X230X15	210	230	15	16	6	NBR	PU
A101-210/2	210X235X15	210	235	15	16	7	NBR	PU
A101-210/1	210X240X18	210	240	18	19	7	NBR	PU
A101-215	215X245X18	215	245	18	19	7	NBR	PU
A101-220/3	220X240X12	220	240	12	13	6	NBR	PU

A101



全球密封方案

ALP 码 - Code	尺寸 - Dimension	Ød	ØD	b	B	C	NBR	PU
A101-220/1	220X250X15	220	250	15	16	7	NBR	PU
A101-220/2	220X250X18	220	250	18	19	7	NBR	PU
A101-220	220X250X20	220	250	20	21	7	NBR	PU
A101-224	224X244X12	224	244	12	13	6	NBR	PU
A101-225/2	225X245X12	225	245	12	13	6	NBR	PU
A101-225	225X250X15	225	250	15	16	7	NBR	PU
A101-225/1	225X250X18	225	250	18	19	7	NBR	PU
A101-230/2	230X250X12	230	250	12	13	6	NBR	PU
A101-230	230X250X15	230	250	15	16	6	NBR	PU
A101-230/1	230X260X18	230	260	18	19	7	NBR	PU
A101-235	235X255X12	235	255	12	13	6	NBR	PU
A101-240/3	240X260X13	240	260	13	14	6	NBR	PU
A101-240	240X260X16	240	260	16	17	6	NBR	PU
A101-240/2	240X265X18	240	265	18	19	7	NBR	PU
A101-240/1	240X270X18	240	270	18	19	7	NBR	PU
A101-245	245X275X18	245	275	18	19	7	NBR	PU
A101-250/4	250X270X12	250	270	12	13	6	NBR	PU
A101-250	250X270X15	250	270	15	16	6	NBR	PU
A101-250/1	250X275X19	250	275	19	20	7	NBR	PU
A101-250/3	250X280X18	250	280	18	19	7	NBR	PU
A101-250/2	250X280X22	250	280	22	23	7	NBR	PU
A101-260/2	260X280X14	260	280	14	15	6	NBR	PU
A101-260/1	260X280X15	260	280	15	16	6	NBR	PU
A101-260	260X290X18	260	290	18	19	7	NBR	PU
A101-265	265X290X18	265	290	18	19	7	NBR	PU
A101-270/2	270X300X15	270	300	15	16	7	NBR	PU
A101-270	270X300X18	270	300	18	19	7	NBR	PU
A101-270/1	270X300X22	270	300	22	23	7	NBR	PU
A101-275	275X295X15	275	295	15	16	6	NBR	PU
A101-280/2	280X300X14	280	300	14	15	6	NBR	PU
A101-280	280X300X15	280	300	15	16	6	NBR	PU
A101-280/1	280X310X15	280	310	15	16	7	NBR	PU
A101-290	290X310X12	290	310	12	13	6	NBR	PU
A101-300	300X330X17	300	330	17	18	7	NBR	PU
A101-310	310X330X15	310	330	15	16	6	NBR	PU
A101-320	320X350X15	320	350	15	16	7	NBR	PU
A101-340	340X360X15	340	360	15	16	6	NBR	PU
A101-360	360X380X16	360	380	16	17	6	NBR	PU
A101-375	375X395X12	375	395	12	13	6	NBR	PU
A101-430	430X450X15	430	450	15	16	6	NBR	PU

A101



A102

A102 U型密封其外密封唇比内密封唇短、仅适用于活塞应用中。

A102 piston nutrings which are designed with a shorter outer sealing lip are produced only to be used in piston applications.

技术参数 / TECHNICAL DATA

标准材料 / Standard Materials	NBR	PU
工作压力 / Working Pressure	160 Bar	400 Bar
工作温度 / Working Temperature	-30 +105°C	-40 +100°C
滑动速度 / Sliding Speed	0.5 m/sn	0.5 m/sn
材料 / Material	90 NBR	92 PU
介质 / Media	矿物基液压油 / Mineral Base Hydraulic Oil	

表面粗糙度 / Surface Roughness

	Ra	Rmax
动态表面 / Dynamic Surface	≤0.3 μm	≤3 μm
槽底部 / Groove Base	≤1.8 μm	≤10 μm
槽侧面 / Groove Flanks	≤3.2 μm	≤16 μm

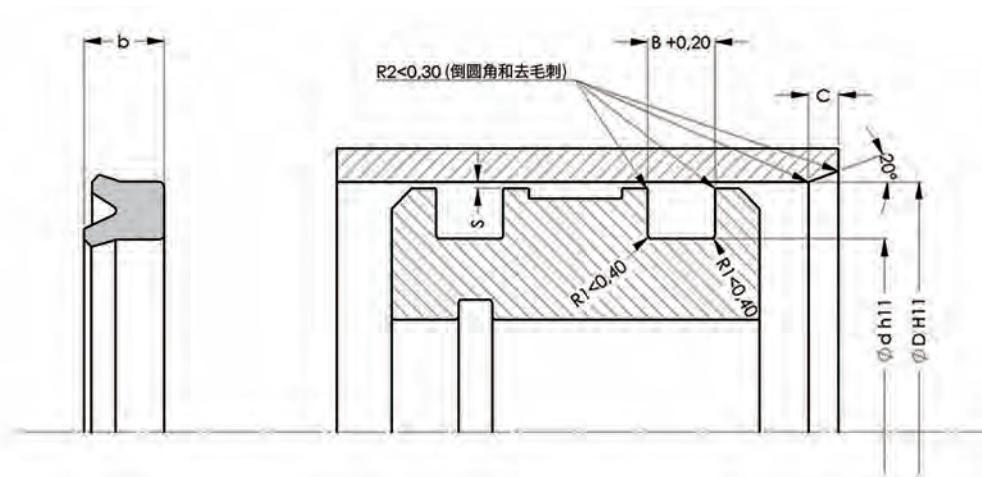
NBR 材料最大许允间隙 / Permissible Gap (max.) for NBR

横截面 / Cross Section	压力值 (巴) / Pressure (bar)		
	50	100	160
≤5	0.4	0.2	0.10
>5	0.45	0.25	0.15

PU 材料最大许允间隙 / Permissible Gap (max.) for PU

横截面 / Cross Section	压力值 (巴) / Pressure (bar)		
	150	250	400
≤5	0.3	0.2	0.15
>5	0.35	0.25	0.2



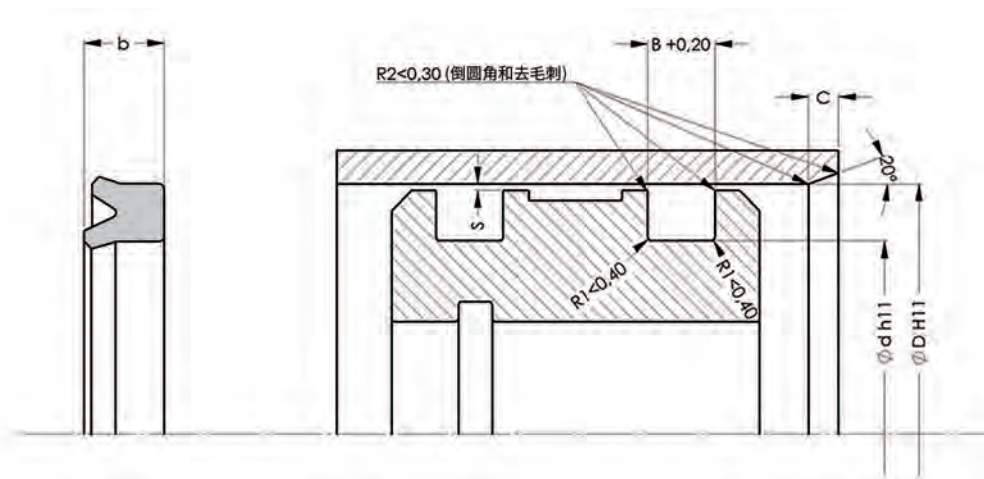


ALP 码 - Code	大小 - Dimension	ØD	Ød	b	B	C	NBR	PU
A102-012	12X7X2,55	12	7	2,55	3,05	2,5	NBR	PU
A102-016/2	16X6X7,5	16	6	7,5	8,5	4,5	NBR	PU
A102-016/4	16X6X8	16	6	8	9	4,5	NBR	PU
A102-016/1	16X6X10	16	6	10	11	4,5	NBR	PU
A102-016/3	16X8X5,5	16	8	5,5	6,5	4	NBR	PU
A102-016	16X10X4	16	10	4	4,5	3	NBR	PU
A102-019	19,05X12,7X3,17	19,05	12,7	3,17	3,67	3	NBR	PU
A102-020/1	20X12X5,5	20	12	5,5	6,5	4	NBR	PU
A102-020	20X14X5,5	20	14	5,5	6,5	3	NBR	PU
A102-022	22X13X7	22	13	7	8	4	NBR	PU
A102-022/1	22,22X12,7X6,35	22,22	12,7	6,35	7,35	4	NBR	PU
A102-025	25X17X5,5	25	17	5,5	6,5	4	NBR	PU
A102-026	26,99X17,46X6,35	26,99	17,46	6,35	7,35	4	NBR	PU
A102-028	28X16X9	28	16	9	10	5	NBR	PU
A102-030	30X22X5	30	22	5	6	4	NBR	PU
A102-031	31,75X19,05X6,35	31,75	19,05	6,35	7,35	5	NBR	PU
A102-032	32X24X5,5	32	24	5,5	6,5	4	NBR	PU
A102-034	34,92X22,22X6,35	34,92	22,22	6,35	7,35	5	NBR	PU
A102-035	35X25X6,5	35	25	6,5	7,5	4,5	NBR	PU
A102-036	36X28X7	36	28	7	8	4	NBR	PU
A102-037	37X21X12	37	21	12	13	5,5	NBR	PU
A102-038	38X28X7	38	28	7	8	4,5	NBR	PU
A102-039	39X32X5	39	32	5	6	3	NBR	PU
A102-039/1	39,69X26,99X6,35	39,69	26,99	6,35	7,35	5	NBR	PU
A102-040/1	40X30X6	40	30	6	7	4,5	NBR	PU
A102-040/2	40X30X7	40	30	7	8	4,5	NBR	PU
A102-043	43X35X9	43	35	9	10	4	NBR	PU
A102-045/2	45X35X6	45	35	6	7	4,5	NBR	PU
A102-045/1	45X37X7	45	37	7	8	4	NBR	PU
A102-045	45X38X6	45	38	6	7	3	NBR	PU
A102-050	50X39X4,2	50	39	4,2	4,7	5	NBR	PU
A102-050/4	50X40X5	50	40	5	6	4,5	NBR	PU
A102-050/6	50X40X6	50	40	6	7	4,5	NBR	PU
A102-050/3	50X40X7	50	40	7	8	4,5	NBR	PU
A102-050/2	50X42X10	50	42	10	11	4	NBR	PU
A102-050/5	50,8X41,27X7,14	50,8	41,27	7,14	8,14	4	NBR	PU
A102-054	54X44X7,3	54	44	7,3	8,3	4,5	NBR	PU
A102-055/3	55X45X6	55	45	6	7	4,5	NBR	PU
A102-055	55X45X7	55	45	7	8	4,5	NBR	PU

A102



全球密封方案



ALP 码 - Code	大小 - Dimension	ØD	Ød	b	B	C	NBR	PU
A102-055/1	55X45X10	55	45	10	11	4,5	NBR	PU
A102-057	57,15X44,45X6,35	57,15	44,45	6,35	7,35	5	NBR	PU
A102-060/1	60X44X12	60	44	12	13	5,5	NBR	PU
A102-060/5	60X50X6	60	50	6	7	4,5	NBR	PU
A102-060/3	60X50X7	60	50	7	8	4,5	NBR	PU
A102-060/2	60X50X10	60	50	10	11	4,5	NBR	PU
A102-060/4	60,32X47,62X6,35	60,32	47,62	6,35	7,35	5	NBR	PU
A102-063/4	63X50X9	63	50	9	10	5	NBR	PU
A102-063	63X53X6	63	53	6	7	4,5	NBR	PU
A102-065/1	65X55X6	65	55	6	7	4,5	NBR	PU
A102-065	65X55X7	65	55	7	8	4,5	NBR	PU
A102-070/5	70X58X8,5	70	58	8,5	9,5	5	NBR	PU
A102-070/6	70X60X6	70	60	6	7	4,5	NBR	PU
A102-070	70X60X7	70	60	7	8	4,5	NBR	PU
A102-070/2	70X60X10	70	60	10	11	4,5	NBR	PU
A102-070/4	70X62X8	70	62	8	9	4	NBR	PU
A102-073	73,02X63,5X5,56	73,02	63,5	5,56	6,56	4	NBR	PU
A102-075/1	75X63X8,5	75	63	8,5	9,5	5	NBR	PU
A102-075	75X65X7,5	75	65	7,5	8,5	4,5	NBR	PU
A102-075/2	75X67X8,7	75	67	8,7	9,7	4	NBR	PU
A102-080	80X68X8,5	80	68	8,5	9,5	5	NBR	PU
A102-080/10	80X70X6	80	70	6	7	4,5	NBR	PU
A102-080/9	80X70X12	80	70	12	13	4,5	NBR	PU
A102-080/6	80X72X12	80	72	12	13	4	NBR	PU
A102-085	85X73X8,5	85	73	8,5	9,5	5	NBR	PU
A102-090	90X78X8,5	90	78	8,5	9,5	5	NBR	PU
A102-090/1	90X80X6	90	80	6	7	4,5	NBR	PU
A102-098	98,42X85,72X9,52	98,42	85,72	9,52	10,52	5	NBR	PU
A102-100	100X85X9	100	85	9	10	5,5	NBR	PU
A102-100/2	100X88X8,5	100	88	8,5	9,5	5	NBR	PU
A102-100/3	100X88X9,5	100	88	9,5	10,5	5	NBR	PU
A102-100/1	100X90X8,5	100	90	8,5	9,5	4,5	NBR	PU
A102-100/5	100X90X10,5	100	90	10,5	11,5	4,5	NBR	PU
A102-101/1	101,6X82,55X12,7	101,6	82,55	12,7	13,7	6	NBR	PU
A102-101	101,6X88,9X9,52	101,6	88,9	9,52	10,52	5	NBR	PU
A102-110/1	110X95X9	110	95	9	10	5,5	NBR	PU
A102-110	110X95X12	110	95	12	13	5,5	NBR	PU
A102-115	115X100X6	115	100	6	7	5,5	NBR	PU
A102-120/1	120X105X9	120	105	9	10	5,5	NBR	PU

A102



全球密封方案

ALP 码 - Code	大小 - Dimension	ØD	Ød	b	B	C	NBR	PU
A102-120	120X105X10	120	105	10	11	5,5	NBR	PU
A102-125	125X105X12	125	105	12	13	6	NBR	PU
A102-125/3	125X110X10	125	110	10	11	5,5	NBR	PU
A102-125/4	125X112X9	125	112	9	10	5	NBR	PU
A102-130	130X110X12	130	110	12	13	6	NBR	PU
A102-130/1	130X115X9	130	115	9	10	5,5	NBR	PU
A102-140	140X120X16	140	120	16	17	6	NBR	PU
A102-140/1	140X125X9	140	125	9	10	5,5	NBR	PU
A102-145	145X130X10	145	130	10	11	5,5	NBR	PU
A102-149	149,22X136,52X9,52	149,22	136,52	9,52	10,52	5	NBR	PU
A102-150	150X135X8	150	135	8	9	5,5	NBR	PU
A102-150/1	150X135X9	150	135	9	10	5,5	NBR	PU
A102-160	160X140X14	160	140	14	15	6	NBR	PU
A102-160/2	160X145X9	160	145	9	10	5,5	NBR	PU
A102-160/1	160X145X10	160	145	10	11	5,5	NBR	PU
A102-170	170X148X15	170	148	15	16	6	NBR	PU
A102-170/1	170X155X9,5	170	155	9,5	10,5	5,5	NBR	PU
A102-180	180X160X9	180	160	9	10	6	NBR	PU
A102-180/3	180X160X12	180	160	12	13	6	NBR	PU
A102-180/1	180X160X14	180	160	14	15	6	NBR	PU
A102-180/4	180X160X15	180	160	15	16	6	NBR	PU
A102-180/2	180X165X9	180	165	9	10	5,5	NBR	PU
A102-200	200X175X16	200	175	16	17	7	NBR	PU
A102-200/2	200X180X12	200	180	12	13	6	NBR	PU
A102-200/1	200X180X14	200	180	14	15	6	NBR	PU
A102-220	220X195X16	220	195	16	17	7	NBR	PU
A102-250/3	250X230X12	250	230	12	13	6	NBR	PU
A102-250	250X230X14	250	230	14	15	6	NBR	PU
A102-250/2	250X230X15	250	230	15	16	6	NBR	PU
A102-320	320X296X24	320	296	24	25	7	NBR	PU

A102



A103

A103重型活塞密封适用于双向密封的液压系统中，它由两个热塑性塑料支撑环，一个NBR环及一个PTFE密封环组成，并且能够在重载机械中高校运作。

A103 heavy duty piston seals are used on double acting hydraulic cylinders. These consists of two thermoplastic support rings, one NBR ring and PTFE sealing ring and are effective in heavy duty operations.

技术参数 / TECHNICAL DATA

工作压力 / Working Pressure	400 Bar
工作温度 / Working Temperature	-30 +105°C
滑动速度 / Sliding Speed	1.5 m/sn
材料 / Material	80 NBR/PTFE + 青铜/POM
介质 / Media	矿物基液压油 / Mineral Base Hydraulic Oil

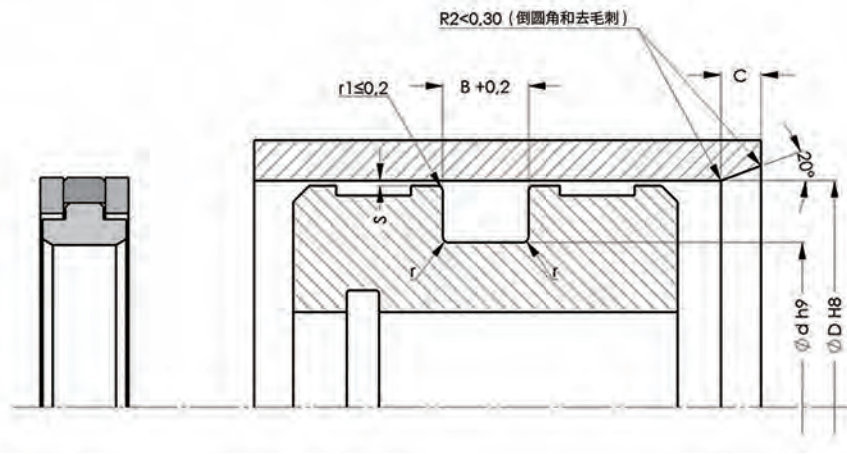
表面粗糙度 / Surface Roughness

	Ra	Rmax
动态表面 / Dynamic Surface	≤0.2 μm	≤2.0 μm
槽底部 / Groove Base	≤1.6 μm	≤6.3 μm
槽侧面 / Groove Flanks	≤3.2 μm	≤15 μm

材料最大许允间隙 / Permissible Gap (s max.)

S max (mm)	压力值 (巴) / Pressure (bar)	
	P≤350	350<P≤600
	0.45	0.25





ALP 码 - Code	尺寸 - Dimension	ØD	Ød	B	r	C
A103 050-036	50X36X9	50	36	9	0,3	6,5
A103 055-041	55X41X9	55	41	9	0,3	6,5
A103 060-046	60X46X9	60	46	9	0,3	6,5
A103 060-050	60X50X8	60	50	8	0,3	5
A103 063-048	63X48X11	63	48	11	0,5	7,5
A103 065-050	65X50X11	65	50	11	0,5	7,5
A103 070-055	70X55X11	70	55	11	0,5	7,5
A103 075-060	75X60X11	75	60	11	0,5	7,5
A103 080-065	80X65X11	80	65	11	0,5	7,5
A103 080-070	80X70X11	80	70	11	0,5	7,5
A103 085-070	85X70X11	85	70	11	0,5	7,5
A103 090-075	90X75X11	90	75	11	0,5	7,5
A103 095-080	95X80X11	95	80	11	0,5	7,5
A103 100-085	100X85X12,5	100	85	12,5	0,5	7,5
A103 105-088	105X88X14	105	88	14	0,5	8,5
A103 105-090	105X90X12,5	105	90	12,5	0,5	7,5
A103 105-090/1	105X90X13,5	105	90	13,5	0,5	7,5
A103 110-095	110X95X12,5	110	95	12,5	0,5	7,5
A103 115-100	115X100X12,5	115	100	12,5	0,5	7,5
A103 120-105	120X105X12,5	120	105	12,5	0,6	7,5
A103 125-102	125X102X16	125	102	16	0,6	11,5
A103 130-107	130X107X16	130	107	16	0,6	11,5
A103 135-112	135X112X16	135	112	16	0,6	11,5
A103 140-117	140X117X16	140	117	16	0,6	11,5
A103 145-122	145X122X16	145	122	16	0,6	11,5
A103 150-127	150X127X16	150	127	16	0,6	11,5
A103 160-137	160X137X16	160	137	16	0,6	11,5
A103 170-147	170X147X16	170	147	16	0,6	11,5
A103 180-157	180X157X16	180	157	16	0,6	11,5
A103 190-167	190X167X16	190	167	16	0,6	11,5
A103 200-177	200X177X16	200	177	16	0,6	11,5
A103 210-187	210X187X16	210	187	16	0,6	11,5
A103 220-197	220X197X16	220	197	16	0,6	11,5
A103 225-202	225X202X16	225	202	16	0,6	11,5
A103 250-222	250X222X17,5	250	222	17,5	0,6	14
A103 250-227	250X227X16	250	227	16	0,6	11,5

A103





A104

由于A104组合密封由于加入了增强织物、使它具有很高的耐磨性。A104组合密封由3部分组成、且不与表面粘连。

由于使用寿命长、A104组合密封可活用于重型负荷当中。

Thanks to its fabric reinforcement with high mechanical strength, our A104 compact seals has high abrasion resistance. A104 compact seals, which does not stick on surfaces, are consist of 3 pieces.

With its long-life, our A104 compact seals are ready for heavy duty applications.

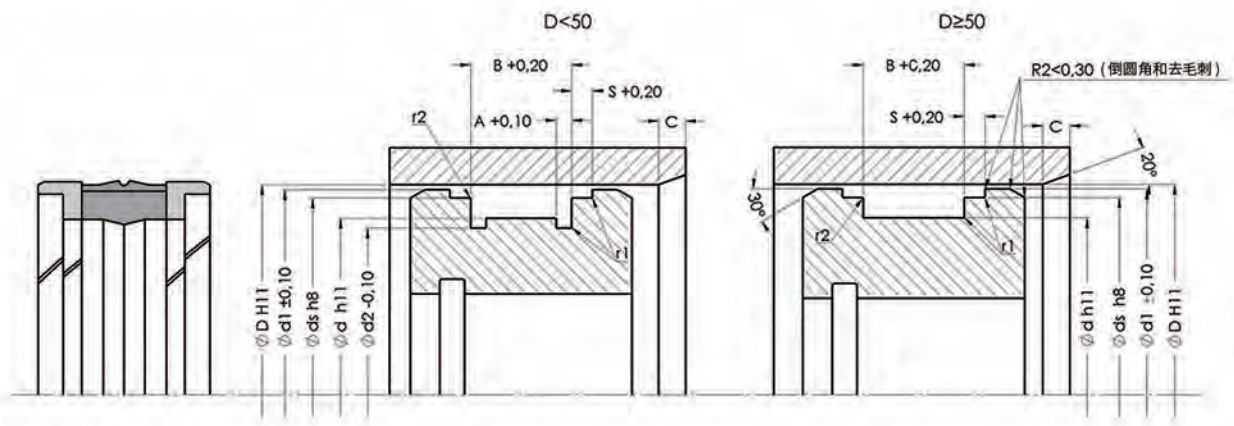
技术参数 / TECHNICAL DATA

工作压力 / Working Pressure	400 Bar
工作温度 / Working Temperature	-30 +105°C
滑动速度 / Sliding Speed	0.5 m/sn
材料 / Material	80 NBR/ 橡胶夹织物/POM
介质 / Media	矿物基液压油 / Mineral Base Hydraulic Oil

表面粗糙度 / Surface Roughness

	Ra	Rmax
动态表面 / Dynamic Surface	≤0.4 μm	≤3.2 μm
槽底部 / Groove Base	≤1.6 μm	≤6.3 μm
槽侧面 / Groove Flanks	≤3.2 μm	≤16 μm





ALP 码 - Code	尺寸 - Dimension	ØD	Ød	B	Øds	Ød1	Ød2	A	s	r1	r2	C
A104 025-017	25X17X13,5	25	17	13,5	21	24,4	14	2,1	3,2	0,4	0,2	4
A104 030-021	30X21X13,5	30	21	13,5	27	29,4	21	2,2	2,1	0,4	0,2	4
A104 030-022	30X22X13,5	30	22	13,5	26	29,4	19	2,1	3,2	0,4	0,2	4
A104 032-024	32X24X15,5	32	24	15,5	28	31,4	21	3,1	3,2	0,4	0,2	4
A104 035-027	35X27X15,5	35	27	15,5	31	34,4	24	3,1	3,2	0,4	0,2	4
A104 040-032	40X32X15,5	40	32	15,5	36	39,4	29	3,1	3,2	0,4	0,2	4
A104 045-037	45X37X15,5	45	37	15,5	41	44,4	34	3,1	3,2	0,4	0,2	4
A104 050-038	50X38X20,5	50	38	20,5	46	49,4	-	-	4,2	0,4	0,2	4
A104 060-048	60X48X20,5	60	48	20,5	56	59,4	-	-	4,2	0,4	0,2	4
A104 063-051	63X51X20,5	63	51	20,5	59	62,4	-	-	4,2	0,4	0,2	4
A104 070-058	70X58X20,5	70	58	20,5	66	69,4	-	-	4,2	0,4	0,2	4
A104 075-063	75X63X20,5	75	63	20,5	71	74,4	-	-	4,2	0,4	0,2	4
A104 080-065	80X65X20	80	65	20	76	79,4	-	-	5	0,4	0,2	5
A104 080-066	80X66X22,5	80	66	22,5	76	79,4	-	-	5,2	0,4	0,2	4,5
A104 085-071	85X71X22,5	85	71	22,5	81	84,4	-	-	5,2	0,4	0,2	4,5
A104 090-076	90X76X22,5	90	76	22,5	86	89,4	-	-	5,2	0,4	0,2	4,5
A104 100-086	100X86X22,5	100	86	22,5	96	99,4	-	-	5,2	0,4	0,2	4,5
A104 110-096	110X96X22,5	110	96	22,5	106	109,4	-	-	5,2	0,4	0,2	4,5
A104 115-101	115X101X22,5	115	101	22,5	111	114,4	-	-	5,2	0,4	0,2	4,5
A104 120-106	120X106X22,5	120	106	22,5	116	119,4	-	-	5,2	0,4	0,2	4,5
A104 125-103	125X103X26,5	125	103	26,5	121	124,4	-	-	7,2	0,4	0,2	6
A104 125-108	125X108X26,5	125	108	26,5	121	124,4	-	-	7,2	0,4	0,2	5
A104 140-123	140X123X26,5	140	123	26,5	136	139,4	-	-	7,2	0,4	0,2	5
A104 150-133	150X133X26,5	150	133	26,5	146	149,4	-	-	7,2	0,4	0,2	5
A104 160-140	160X140X25	160	140	25	156	159,4	-	-	6,3	0,4	0,2	6
A104 160-143	160X143X26,5	160	143	26,5	156	159,4	-	-	7,2	0,4	0,2	5
A104 180-163	180X163X26,5	180	163	26,5	176	179,4	-	-	7,2	0,4	0,2	5
A104 200-180	200X180X31,5	200	180	31,5	196	199,4	-	-	9,2	0,4	0,2	6
A104 220-200	220X200X31,5	220	200	31,5	216	219,4	-	-	9,2	0,4	0,2	6
A104 250-225	250X225X31,5	250	225	31,5	246	249,4	-	-	6,6	0,4	0,2	6
A104 250-230	250X230X31,5	250	230	31,5	246	249,4	-	-	9,2	0,4	0,2	6

A104



全球密封方案



A105

A105 组合密封被广泛用于双向密封的液压缸系统的活塞密封中。它由5个零件组成、分别是两个POM 支撑环、两个TPE 导向环、一个NBR密封环。装配简单。

注脚：A105活塞密封导向环当孔尺寸小于50毫米时由POM制成。当孔径大于等于50毫米时，A105活塞密封导向环由玻璃填充的POM制成，以提高导向性能和压缩强度。

A105 compact seals which have a widespread use are used as double acting sealing elements in hydraulic cylinders' piston applications. They can be easily assembled thanks to their 5-piece design.

A105 piston seal guide rings are made of POM, when bore dimension is smaller than 50mm. When bore dimension is bigger than and equal to 50mm, A105 piston seal guide rings are made of glass filled POM to increase guiding performance and compression strength.

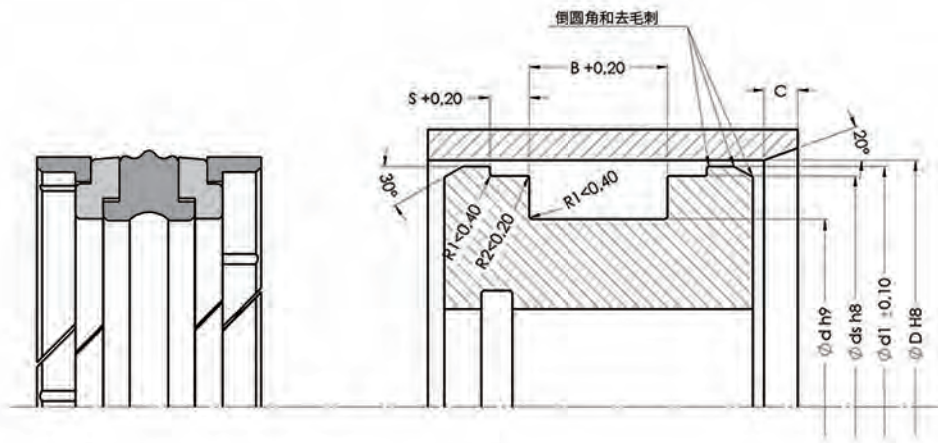
技术参数 / TECHNICAL DATA

工作压力 / Working Pressure	400 Bar
工作温度 / Working Temperature	-30 +105°C
滑动速度 / Sliding Speed	0.5 m/sn
材料 / Material	80 NBR/TPE/ 玻璃填充POM
介质 / Media	矿物基液压油 / Mineral Base Hydraulic Oil

表面粗糙度 / Surface Roughness

	Ra	Rmax
动态表面 / Dynamic Surface	≤0.3 μm	≤ 3 μm
槽底部 / Groove Base	≤1.8 μm	≤ 10 μm
槽侧面 / Groove Flanks	≤3.2 μm	≤ 16 μm



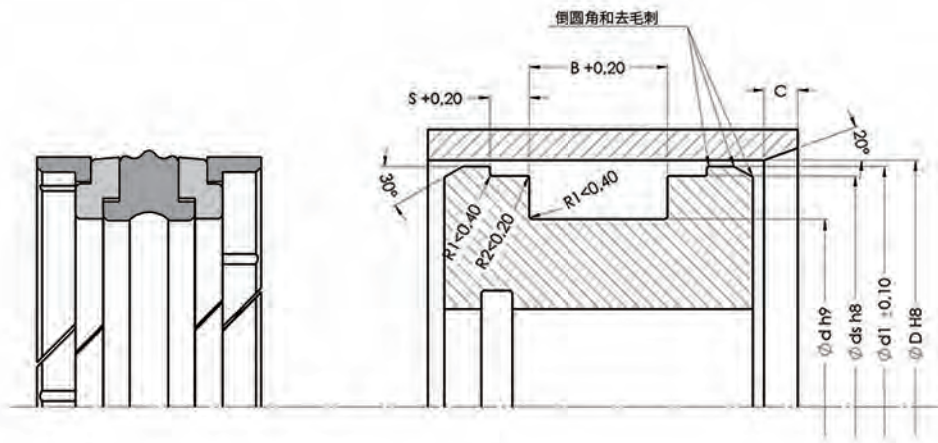


ALP 码 - Code	尺寸 - Dimension	ØD	Ød	B	Øds	Ød1	S	C
A105 020-011	20X11X13,5X2,1	20	11	13,5	17	19	2,1	4
A105 025-015/1	25X15X12,5X4	25	15	12,5	22	24	4	4
A105 025-015	25X15X16,4	25	15	16,4	21,45	23,5	6,35	4
A105 025-016	25X16X13,5X2,1	25	16	13,5	22	24	2,1	4
A105 025-017	25X17X10X4	25	17	10	22	24	4	4
A105 025-017/1	25X17X13,5X3,2	25	17	13,5	21	24,4	3,2	4
A105 030-017	30X17X15,4	30	17	15,4	26,5	28,5	6,35	4
A105 030-021	30X21X13,5	30	21	13,5	27	29	2,1	4
A105 030-022	30X22X13,5	30	22	13,5	26	29,4	3,2	4
A105 032-022/2	32X22X12,5	32	22	12,5	29	31	4	4
A105 032-022/1	32X22X15,5	32	22	15,5	28	31	2,6	4
A105 032-022	32X22X16,4	32	22	16,4	28,5	30,5	6,35	4
A105 032-024/1	32X24X10X4	32	24	10	29	31	4	4
A105 032-024	32X24X15,5	32	24	15,5	28	31	3,1	4
A105 035-025	35X25X16,4	35	25	16,4	31,4	33,5	6,35	4
A105 038,1-25,4	38,1X25,4X15,87	38,1	25,4	15,87	34,54	37,08	6,35	4
A105 040-024	40X24X18,4	40	24	18,4	35,4	38,5	6,35	5
A105 040-026	40X26X15,5	40	26	15,5	36	39	2,6	4,5
A105 040-030/2	40X30X12,3	40	30	12,3	36	39	4	4
A105 040-030/1	40X30X12,5	40	30	12,5	37	39	4	4
A105 040-030	40X30X16,4	40	30	16,4	35,4	38,5	6,35	4
A105 040-032/1	40X32X10X4	40	32	10	37	39	4	4
A105 040-032	40X32X15,5	40	32	15,5	36	39,4	3,2	4
A105 044,45-028,57	44,45X28,57X19,05	44,45	28,57	19,05	39,85	43,12	6,35	5
A105 045-029	45X29X18,4	45	29	18,4	40,4	43,5	6,35	5
A105 045-031	45X31X15,5	45	31	15,5	41	44	2,6	4,5
A105 045-035	45X35X16,4	45	35	16,4	40,4	43,5	6,35	4
A105 045-037	45X37X15,5X3,2	45	37	15,5	41	44,4	3,2	4
A105 050-034/1	50X34X18,4	50	34	18,4	45,41	48,66	6,35	5
A105 050-034	50X34X20,5	50	34	20,5	46	49	3,1	5
A105 050-035	50X35X20	50	35	20	46	48,5	5	5
A105 050-038	50X38X20,5	50	38	20,5	46	49,4	4,2	4
A105 050-040	50X40X12,5	50	40	12,5	47	49	4	4
A105 050,8-34,92	50,8X34,92X19,05	50,8	34,92	19,05	46,23	49,48	6,35	5
A105 050,8-41,27	50,8X41,27X11,1X3,81	50,8	41,27	11,1	46,27	49,19	3,81	4
A105 055-039/1	55X39X18,4	55	39	18,4	50,37	53,65	6,35	5
A105 055-039	55X39X20,5	55	39	20,5	51	54	3,1	5
A105 055-045	55X45X11	55	45	11	50,5	54	4	4
A105 055-045/1	55X45X12,5	55	45	12,5	52	54	4	4

A105



全球密封方案



ALP 码 - Code	尺寸 - Dimension	ØD	Ød	B	Øds	Ød1	S	C
A105 056-040	56X40X20,5	56	40	20,5	52	55	3,1	5
A105 057,15-41,27	57,15X41,27X19,45	57,15	41,27	19,45	52,55	55,8	6,35	5
A105 060-044/1	60X44X18,4	60	44	18,4	55,39	58,65	6,35	5
A105 060-044	60X44X20,5	60	44	20,5	56	59	3,1	5
A105 060-048	60X48X20,5	60	48	20,5	56	59,4	4,2	4
A105 063-047/1	63X47X18,4	63	47	18,4	58,39	61,63	6,35	5
A105 063-047/2	63X47X19,4	63	47	19,4	58,39	61,5	6,35	5
A105 063-047	63X47X20,5	63	47	20,5	59	62	3,1	5
A105 063-048	63X48X20	63	48	20	59	61,5	5	5
A105 063-051	63X51X20,5	63	51	20,5	59	62,4	4,2	4
A105 063-053	63X53X12,5	63	53	12,5	60	62	4	4
A105 063,5-47,62	63,5X47,62X19,05	63,5	47,62	19,05	58,9	62,12	6,35	5
A105 063,5-53,97	63,5X53,97X11,1	63,5	53,97	11,1	59,12	62,12	3,81	4
A105 065-049	65X49X20,5	65	49	20,5	61	64	3,1	5
A105 065-050	65X50X18,4	65	50	18,4	60,41	63,64	6,35	5
A105 066,67-050,80	66,67X50,8X19,05	66,67	50,8	19,05	62,1	65,27	6,35	5
A105 070-050	70X50X22,4	70	50	22,4	64,18	68,34	6,35	6
A105 070-054	70X54X20,5	70	54	20,5	66	69	3,1	5
A105 070-055	70X55X20	70	55	20	66	68,5	5	5
A105 070-058	70X58X20,5	70	58	20,5	66	69,4	4,2	4
A105 075-055	75X55X22,4	75	55	22,4	69,2	73,3	6,35	6
A105 075-059	75X59X20,5	75	59	20,5	71	74	3,1	5
A105 076,2-057,15	76,2X57,15X23,8	76,2	57,15	23,8	70,38	74,5	6,35	5
A105 080-060	80X60X22,4	80	60	22,4	74,15	78,3	6,35	6
A105 080-060/1	80X60X25	80	60	25	75	78	6,35	6
A105 080-062	80X62X22,5	80	62	22,5	76	79	3,6	5
A105 080-065	80X65X20	80	65	20	76	78,5	5	5
A105 080-066	80X66X22,4	80	66	22,4	76	79,4	5,2	4,5
A105 082,55-63,50	82,55X63,5X23,8	82,55	63,5	23,8	76,73	80,9	6,35	5
A105 085-065/1	85X65X21,4	85	65	21,4	79,15	83,3	6,35	6
A105 085-065	85X65X22,4	85	65	22,4	79,15	83,3	6,35	6
A105 088,9-69,85/1	88,9X69,85X23,81	88,9	69,85	23,81	83,08	87,22	6,35	5
A105 088,9-69,85/2	88,9X69,85X24,81X6,35	88,9	69,85	24,81	83,08	87,22	6,35	6,35
A105 088,9-69,85	88,9X69,85X30,15	88,9	69,85	30,15	82,16	87,29	6,35	5
A105 090-070	90X70X22,4	90	70	22,4	84,15	88,3	6,35	6
A105 090-072	90X72X22,5	90	72	22,5	86	89	3,2	5
A105 090-072/1	90X72X22,5X3,6	90	72	22,5	86	89	3,6	5
A105 090-075	90X75X20	90	75	20	86	88,5	5	5
A105 090-076	90X76X22,4	90	76	22,4	86	89,4	5,2	4,5

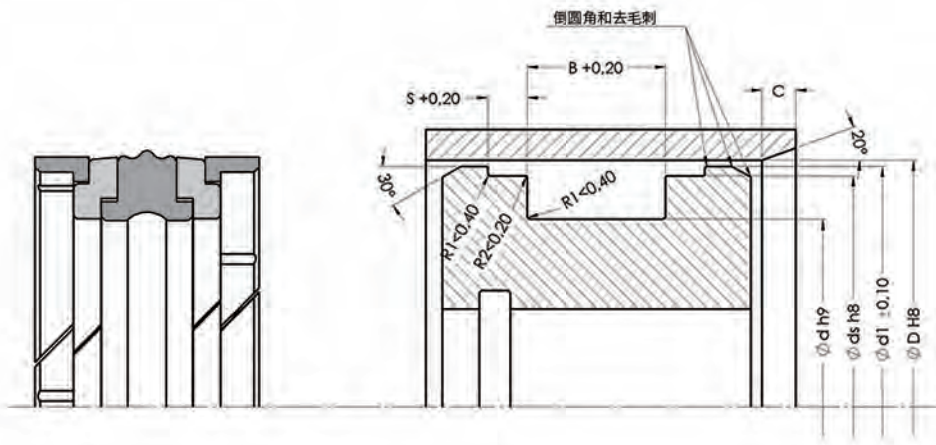
A105



ALP 码 - Code	尺寸- Dimension	ØD	Ød	B	Øds	Ød1	S	C
A105 095-075	95X75X22,4	95	75	22,4	89,15	93,31	6,35	6
A105 095-081	95X81X22,4	95	81	22,4	91	94,4	5,2	4,5
A105 100-075	100X75X22,4	100	75	22,4	93,13	98	6,35	6
A105 100-080/1	100X80X25	100	80	25	95	98	6,35	6
A105 100-080	100X80X25,4	100	80	25,4	95	98	6,35	6
A105 100-080/2	100X80X35	100	80	35	92,61	97,51	9,52	6
A105 100-082	100X82X22,5	100	82	22,5	96	99	3,6	5
A105 100-085	100X85X20	100	85	20	96	98,5	5	5
A105 100-086	100X86X22,4	100	86	22,4	96	99,4	5,2	4,5
A105 101,6-82,55	101,6X82,55X23,81	101,6	82,55	23,81	95,76	100,07	6,35	5
A105 105-080	105X80X22,4	105	80	22,4	98,1	103	6,5	6
A105 110-085	110X85X22,4	110	85	22,4	103,1	108	6,35	6
A105 110-085/1	110X85X25,4	110	85	25,4	103,1	108	6,35	6
A105 110-090/1	110X90X25,3X9,52	110	90	25,3	102,6	108,3	9,52	6
A105 110-090/2	110X90X25,4X9,52	110	90	25,4	104,1	108,3	6,35	6
A105 110-090	110X90X35	110	90	35	102,6	107,51	9,52	6
A105 110-092	110X92X22,5	110	92	22,5	106	109	3,6	5
A105 110-095	110X95X20	110	95	20	105	108	5	5
A105 110-096	110X96X22,4	110	96	22,4	106	109,4	5,2	4,5
A105 115-090	115X90X22,4	115	90	22,4	108,1	113,02	6,35	6
A105 115-097	115X97X22,4	115	97	22,4	111	114	4,2	5
A105 115-097/1	115X97X22,5X3,6X111	115	97	22,5	111	114	3,6	5
A105 115-101	115X101X22,4	115	101	22,4	111	114,4	5,2	4,5
A105 120-095	120X95X22,4	120	95	22,4	113,1	118	6,35	6
A105 120-100	120X100X35	120	100	35	112,8	117,5	9,5	6
A105 120-106	120X106X22,4	120	106	22,4	116	119,4	5,2	4,5
A105 125-100	125X100X25,4	125	100	25,4	118,1	123	6,35	6
A105 125-100/1	125X100X45	125	100	45	116,82	122,33	12,7	6
A105 125-103	125X103X26,5	125	103	26,5	121	124	5,1	6
A105 125-105/1	125X105X25X6,35	125	105	25	119,1	123	6,35	6
A105 125-105	125X105X25,4	125	105	25,4	120	123	6,35	6
A105 125-108	125X108X26,5	125	108	26,5	121	124,4	7,2	5
A105 127-101,6	127X101,6X31,75	127	101,6	31,75	120,09	124,98	9,52	6
A105 130-105	130X105X25,4	130	105	25,4	123,1	128	6,35	6
A105 130-105/1	130X105X25,4X9,52X123,1	130	105	25,4	123,1	128	9,52	6
A105 130-105/2	130X105X25,4X9,52X122,6	130	105	25,4	122,6	127,5	9,52	6
A105 135-110	135X110X25,4X9,52	135	110	25,4	127,6	132,5	9,52	6
A105 135-110/1	135X110X25,4	135	110	25,4	128,1	133	6,35	6
A105 140-115	140X115X25,4X6,35X132,6	140	115	25,4	132,6	137,5	6,35	6
A105 140-115/1	140X115X25,4X9,52X132,6	140	115	25,4	132,6	137,5	9,52	6
A105 140-115/2	140X115X25,4X6,35X133	140	115	25,4	133	138	6,35	6
A105 140-118	140X118X26,5	140	118	26,5	136	139	5,1	6
A105 140-120	140X120X25X6,35	140	120	25	135	138	6,35	6
A105 140-123	140X123X26,5	140	123	26,5	136	139,4	7,2	5
A105 145-120	145X120X25,4X9,52	145	120	25,4	137,6	142,5	9,52	6
A105 150-125	150X125X25,4X9,5	150	125	25,4	142,6	147,5	9,5	6
A105 150-125/1	150X125X25,4X6,35	150	125	25,4	143	148	6,35	6
A105 150-128	150X128X26,5	150	128	26,5	146	149	5,1	6
A105 150-130	150X130X25,4X6,35	150	130	25,4	144,1	148,3	6,35	6
A105 152,4-127	152,4X127X31,75	152,4	127	31,75	145	149,91	9,52	6
A105 155-130	155X130X25,4	155	130	25,4	147,6	152,5	9,52	6
A105 160-130	160X130X25,4	160	130	25,4	153	157,5	6,35	6
A105 160-130/1	160X130X25,4X9,52	160	130	25,4	152,6	157,5	9,52	6
A105 160-135	160X135X25,4	160	135	25,4	152,6	157,5	9,52	6

A105





ALP 码 - Code	尺寸 - Dimension	ØD	Ød	B	Øds	Ød1	S	C
A105 160-135/2	160X135X32X10X154	160	135	32	154	158	10	6
A105 160-135/1	160X135X45	160	135	45	151,72	157,1	12,7	6
A105 160-138	160X138X26,5X5,1	160	138	26,5	156	159	5,1	6
A105 160-140	160X140X25X6,35	160	140	25	155	158	6,35	6
A105 160-143	160X143X26,5	160	143	26,5	156	159,4	7,2	5
A105 165-140	165X140X25,4	165	140	25,4	157,6	162,5	9,52	6
A105 165-143	165X143X26,5X5,25	165	143	26,5	161	163,5	5,25	6
A105 170-145	170X145X25,4	170	145	25,4	161,72	167,1	12,7	6
A105 170-148	170X148X26,5	170	148	26,5	166	169	5,1	6
A105 175-150	175X150X25,4X12,7	175	150	25,4	166,72	173	12,7	6
A105 177,8-152,4	177,8X152,4X31,75	177,8	152,4	31,75	170,51	175,52	9,52	6
A105 180-150	180X150X35,4	180	150	35,4	172,95	177,87	6,35	6
A105 180-155	180X155X25,4X12,7	180	155	25,4	171,72	177,1	12,7	6
A105 180-158	180X158X26,5	180	158	26,5	176	179	5,1	6
A105 180-163	180X163X26,5	180	163	26,5	176	179,4	7,2	5
A105 185-160	185X160X25,4X12,7	185	160	25,4	176,72	182,1	12,7	6
A105 190-165	190X165X25,4X12,7	190	165	25,4	181,72	187,05	12,7	6
A105 195-170	195X170X25,4X12,7	195	170	25,4	187,1	192,05	12,7	6
A105 200-170	200X170X35,4	200	170	35,4	193	198	6,35	6
A105 200-175/1	200X175X25,4	200	175	25,4	191,62	197	12,7	6
A105 200-175	200X175X31,5X6,6	200	175	31,5	196	199	6,6	6
A105 200-180	200X180X31,5	200	180	31,5	196	199,4	9,2	6
A105 210-185	210X185X25,4	210	185	25,4	201,62	207	12,7	6
A105 220-190	220X190X35,4	220	190	35,4	212,7	217,9	6,35	6
A105 220-190/1	220X190X35,4X6,35X213,5	220	190	35,4	213,5	217,9	6,35	6
A105 220-195	220X195X25,4X12,7	220	195	25,4	211,62	217	12,7	6
A105 220-200	220X200X31,5	220	200	31,5	216	219,4	9,2	6
A105 225-200	225X200X31,5	225	200	31,5	221	224	6,6	6
A105 230-205	230X205X25,4	230	205	25,4	221,62	227	12,7	6
A105 240-215	240X215X25,4X12,7	240	215	25,4	231,62	237	12,7	6
A105 250-220	250X220X35,4	250	220	35,4	242,9	247,85	6,35	6
A105 250-225	250X225X25,4	250	225	25,4	241,62	247	12,7	6
A105 250-230	250X230X31,5	250	230	31,5	246	249,4	9,2	6
A105 280-250/1	280X250X35,4X9,52	280	250	35,4	272,9	277,85	9,52	6
A105 280-250	280X250X36,4	280	250	36,4	273	278	10	6
A105 320-290	320X290X36X12,5	320	290	36	312	317	12,5	6

A105





A106

A106 活塞密封件用于双向密封的液压系统中。

A106 piston seals are used on double acting hydraulic cylinders.

2个POM支撑环密封环由特殊的抗挤压PU材料制成的。在高压下使用寿命长。

2 POM back-up rings provide sealing ring, made up of special extrusion resistant PU material, long service life under high pressures.

A106活塞密封件包括4个零件,除了PU密封环还具有一个NBR和两个POM环。

A106 piston seals consists of 4 pieces, including NBR energising ring.

技术参数 / TECHNICAL DATA

工作压力 / Working Pressure	400 Bar
工作温度 / Working Temperature	-30 +105°C
滑动速度 / Sliding Speed	0.5 m/sn
材料 / Material	80 NBR + 98 PU + POM
介质 / Media	矿物基液压油 / Mineral Base Hydraulic Oil

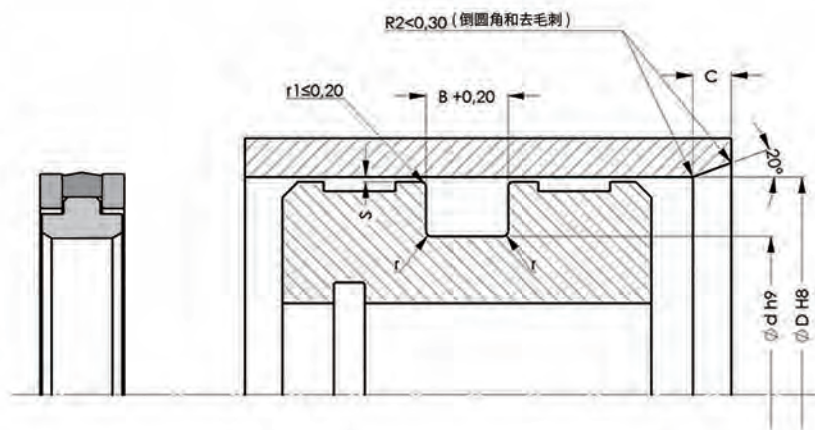
表面粗糙度 / Surface Roughness

	Ra	Rmax
动态表面 / Dynamic Surface	≤0.4 μm	≤ 3.0 μm
槽底部 / Groove Base	≤1.6 μm	≤ 6.3 μm
槽侧面 / Groove Flanks	≤3.2 μm	≤ 16 μm

材料最大许允间隙 / Permissible Gap (s max.)

	压力值 (巴) / Pressure (bar)	
	P≤350	350<P≤600
S Max (mm)	0.45	0.25





ALP 码 - Code	尺寸 - Dimension	ØD	Ød	B	C	r
A106 050-036	50X36X9	50	36	9	6,5	0,3
A106 055-041	55X41X9	55	41	9	6,5	0,3
A106 060-046	60X46X9	60	46	9	6,5	0,3
A106 060-050	60X50X8	60	50	8	5	0,3
A106 063-048	63X48X11	63	48	11	7,5	0,5
A106 065-050	65X50X11	65	50	11	7,5	0,5
A106 070-055	70X55X11	70	55	11	7,5	0,5
A106 075-060	75X60X11	75	60	11	7,5	0,5
A106 080-065	80X65X11	80	65	11	7,5	0,5
A106 080-070	80X70X11	80	70	11	5	0,3
A106 085-070	85X70X11	85	70	11	7,5	0,5
A106 090-075	90X75X11	90	75	11	7,5	0,5
A106 095-080	95X80X11	95	80	11	7,5	0,5
A106 100-085	100X85X12,5	100	85	12,5	7,5	0,5
A106 105-088	105X88X14	105	88	14	7,5	0,5
A106 105-090	105X90X12,5	105	90	12,5	7,5	0,5
A106 105-090/1	105X90X13,5	105	90	13,5	7,5	0,5
A106 110-095	110X95X12,5	110	95	12,5	7,5	0,5
A106 115-100	115X100X12,5	115	100	12,5	7,5	0,5
A106 120-105	120X105X12,5	120	105	12,5	7,5	0,6
A106 125-102	125X102X16	125	102	16	11,5	0,6
A106 130-107	130X107X16	130	107	16	11,5	0,6
A106 135-112	135X112X16	135	112	16	11,5	0,6
A106 145-122	145X122X16	145	122	16	11,5	0,6
A106 150-127	150X127X16	150	127	16	11,5	0,6
A106 160-137	160X137X16	160	137	16	11,5	0,6
A106 170-147	170X147X16	170	147	16	11,5	0,6
A106 190-167	190X167X16	190	167	16	11,5	0,6
A106 200-177	200X177X16	200	177	16	11,5	0,6
A106 225-202	225X202X16	225	202	16	11,5	0,6
A106 250-222	250X222X17,5	250	222	17,5	13	0,6
A106 250-227	250X227X16	250	227	16	11,5	0,6

A106



A107

A107 杆--活塞密封件是由于NBR和橡胶夹织物组成, 这种橡胶夹织物是用浸渍过的模花纤维织物和NBR材料组成。用模压工艺将NBR 和橡胶夹织物粘连在一起成为一个整体。

A107 piston seals are made up of NBR material impregnated on cotton fabric which is initially prepared and moulded with NBR material.

当A107型杆--活塞密封件的内部尺寸小于40 毫米时, 推荐使用开式沟槽结构。

A107 piston seals with inner dimension shorter than 40 mm are recommended to be used accompanied by open housing seal.

技术参数 / TECHNICAL DATA

工作压力 / Working Pressure	250 Bar
工作温度 / Working Temperature	-30 +105°C
滑动速度 / Sliding Speed	0.5 m/sn
材料 / Material	80 NBR + 橡胶夹织物
介质 / Media	矿物基液压油 / Mineral Base Hydraulic Oil

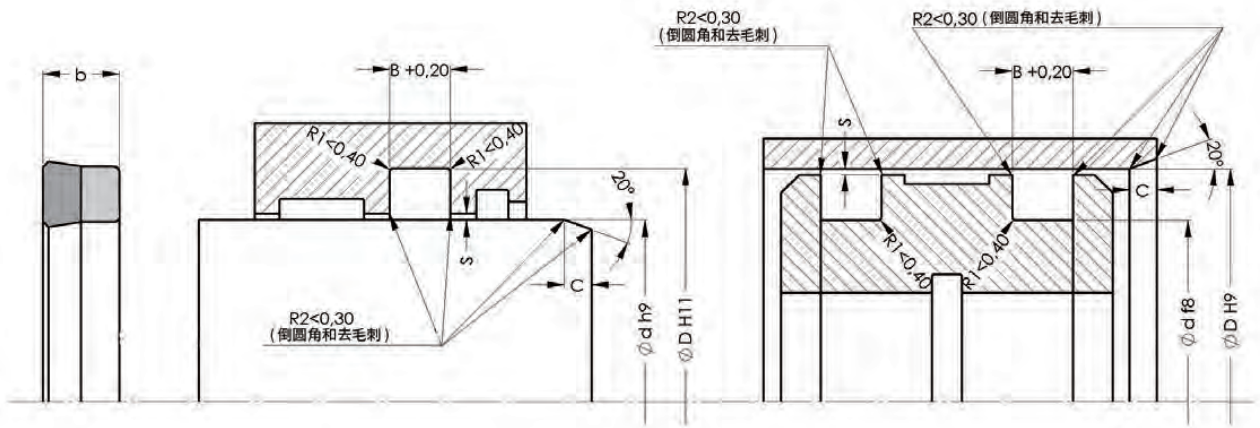
表面粗糙度 / Surface Roughness

	Ra	Rmax
动态表面 / Dynamic Surface	≤0.3 μm	≤3 μm
槽底部 / Groove Base	≤1.8 μm	≤10 μm
槽侧面 / Groove Flanks	≤3.2 μm	≤16 μm

NBR 材料最大许允间隙 / Permissible Gap (max.) for NBR

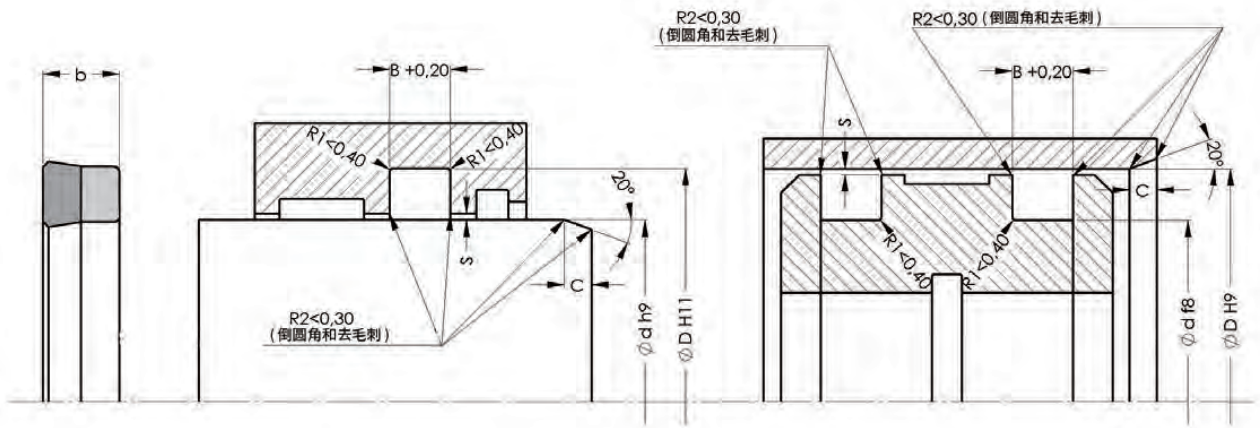
工作压力 / Working Pressure	S (mm)
150	0.2
250	0.1





ALP 码 - Code	尺寸 - Dimension	Ød	ØD	B	b	C
A107-010	10X17X6,3	10	17	6,3	5,65	5
A107-010/2	10X18X6	10	18	6	5,4	5
A107-012	12X20X6,3	12	20	6,3	5,65	5
A107-014	14X22X6,3	14	22	6,3	5,65	5
A107-015	15X23X6,3	15	23	6,3	5,65	5
A107-016	16X24X6,3	16	24	6,3	5,65	5
A107-016/1	16X24X6,5	16	24	6,5	5,85	5
A107-018/2	18X25X7	18	25	7	6,3	5
A107-018	18X26X6,3	18	26	6,3	5,65	5
A107-020/1	20X26X5,5	20	26	5,5	4,95	5
A107-020/2	20X27X6,5	20	27	6,5	5,85	5
A107-020/5	20X28X6	20	28	6	5,4	5
A107-020	20X28X6,3	20	28	6,3	5,65	5
A107-020/3	20X28X7	20	28	7	6,3	5
A107-020/4	20X30X8,5	20	30	8,5	7,65	5
A107-022	22X30X6,3	22	30	6,3	5,65	5
A107-022/1	22X30X6,5	22	30	6,5	5,85	5
A107-022/2	22X30X7	22	30	7	6,3	5
A107-022/4	22X32X7	22	32	7	6,3	5
A107-022/3	22X32X7,3	22	32	7,3	6,55	5
A107-025/2	25X33X6	25	33	6	5,4	5
A107-025/1	25X33X6,3	25	33	6,3	5,65	5
A107-025/4	25X33X6,4	25	33	6,4	5,75	5
A107-025/6	25X35X6	25	35	6	5,4	5
A107-025/5	25X35X9	25	35	9	8,1	5
A107-028/1	28X36X6	28	36	6	5,4	5
A107-028	28X36X6,3	28	36	6,3	5,65	5
A107-030/1	30X38X6	30	38	6	5,4	5
A107-030	30X38X6,3	30	38	6,3	5,65	5
A107-030/6	30X38X6,4	30	38	6,4	5,75	5
A107-030/8	30X40X6	30	40	6	5,4	5
A107-030/2	30X40X6,3	30	40	6,3	5,65	5
A107-030/4	30X40X7	30	40	7	6,3	5
A107-030/3	30X40X7,5	30	40	7,5	6,75	5
A107-031	31,75X47,62X11,6	31,75	47,62	11,6	10,45	5
A107-032	32X40X6,3	32	40	6,3	5,65	5
A107-035/2	35X43X6	35	43	6	5,4	5
A107-035	35X43X6,3	35	43	6,3	5,65	5
A107-035/4	35X43X6,5	35	43	6,5	5,85	5

A107



ALP 码 - Code	尺寸- Dimension	Ød	ØD	B	b	C
A107-035/6	35X45X7,5	35	45	7,5	6,75	5
A107-035/1	35X45X8	35	45	8	7,2	5
A107-035/3	35X50X11,5	35	50	11,5	10,35	5
A107-036	36X44X6,3	36	44	6,3	5,65	5
A107-040	40X48X6,3	40	48	6,3	5,65	5
A107-040/4	40X48X6,5	40	48	6,5	5,85	5
A107-040/8	40X48X7	40	48	7	6,3	5
A107-040/2	40X48X8	40	48	8	7,2	5
A107-040/9	40X48X9	40	48	9	8,1	5
A107-040/3	40X50X7	40	50	7	6,3	5
A107-040/1	40X50X8	40	50	8	7,2	5
A107-040/6	40X50X11	40	50	11	9,9	5
A107-040/5	40X60X14,5	40	60	14,5	13,05	5
A107-042	42X50X6,3	42	50	6,3	5,65	5
A107-045/7	45X53X6	45	53	6	5,4	5
A107-045/6	45X53X6,3	45	53	6,3	5,65	5
A107-045	45X53X8,5	45	53	8,5	7,65	5
A107-045/1	45X55X8	45	55	8	7,2	5
A107-045/2	45X55X10,5	45	55	10,5	9,45	5
A107-045/3	45X60X11	45	60	11	9,9	5
A107-045/5	45X65X14,5	45	65	14,5	13,05	5
A107-048	48X60X10	48	60	10	9	5
A107-050/1	50X60X7,5	50	60	7,5	6,75	5
A107-050/2	50X60X8	50	60	8	7,2	5
A107-050/3	50X60X10	50	60	10	9	5
A107-050/5	50X62X9	50	62	9	8,1	5
A107-050	50X62X9,5	50	62	9,5	8,55	5
A107-050/4	50X70X14,5	50	70	14,5	13,05	5
A107-055/3	55X63X8,3	55	63	8,3	7,45	5
A107-055/4	55X65X7	55	65	7	6,3	5
A107-055	55X65X8	55	65	8	7,2	5
A107-056	56X66X8	56	66	8	7,2	5
A107-056/2	56X71X14	56	71	14	12,6	5
A107-060/1	60X70X7,5	60	70	7,5	6,75	5
A107-060	60X70X8	60	70	8	7,2	5
A107-060/2	60X72X9,5	60	72	9,5	8,55	5
A107-060/4	60X72X10	60	72	10	9	5
A107-060/5	60X75X13	60	75	13	11,7	5
A107-060/6	60X80X14,5	60	80	14,5	13,05	5

A107



全球密封方案



A108

A108 U 型密封其外密封唇比内密封唇短、用于活塞应用中。

A108 U-rings, having shorter outer sealing lips are produced for only piston applications.

POM支撑环提供特殊的泄压槽和抗挤压性能, 可提供高性能和长使用寿命。

Special pressure relieving grooves and extrusion resistance provided by POM back-up ring provide high performance and long working life.

技术参数 / TECHNICAL DATA

工作压力 / Working Pressure	400 Bar
工作温度 / Working Temperature	-40 +100°C
滑动速度 / Sliding Speed	0.5 m/sn
材料 / Material	92 PU + POM
介质 / Media	矿物基液压油 / Mineral Base Hydraulic Oil

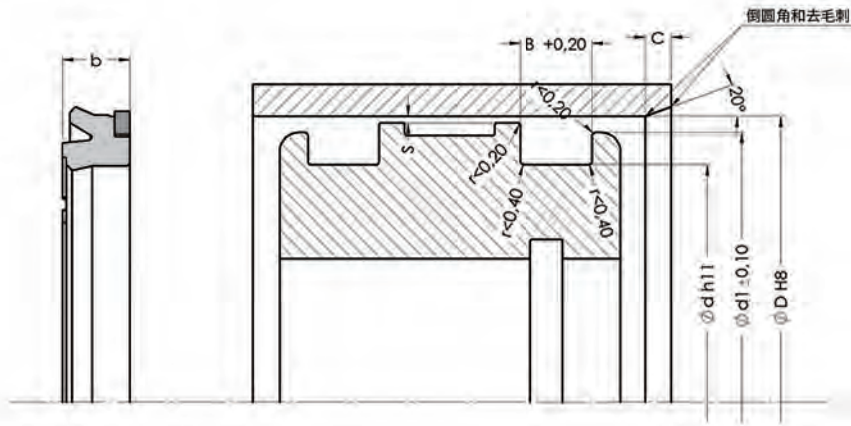
表面粗糙度 / Surface Roughness

	Ra	Rmax
动态表面 / Dynamic Surface	≤0.4 μm	≤3.2 μm
槽底部 / Groove Base	≤1.6 μm	≤10 μm
槽侧面 / Groove Flanks	≤3.2 μm	≤16 μm

材料最大许允间隙 / Permissible Gap (max.)

	压力值 (巴) / Pressure (bar)			
	100	150	250	400
S max (mm)	1	0,8	0,7	0,6





ALP 码 - Code	尺寸- Dimension	ØD	Ød	B	Ød1	C
A108-040	40X25X11	40	25	11	35	4
A108-045	45X30X11	45	30	11	40	4
A108-050	50X35X11	50	35	11	45	4
A108-055	55X40X11	55	40	11	50	4
A108-060	60X45X11	60	45	11	55	4
A108-063	63X48X10	63	48	10	58	4
A108-063/1	63X50X10	63	50	10	60	4
A108-065	65X50X11	65	50	11	60	4
A108-070	70X50X13	70	50	13	64	5
A108-075	75X55X13	75	55	13	69	5
A108-080	80X60X13	80	60	13	74	5
A108-085	85X70X9,3	85	70	9,3	79	5
A108-090	90X70X13	90	70	13	84	5
A108-100	100X80X13	100	80	13	94	5
A108-100/1	100X85X10	100	85	10	95	5
A108-110	110X90X13	110	90	13	104	5
A108-125	125X100X16,2	125	100	16,2	119	6,5
A108-130	130X110X12,5	130	110	12,5	124	6,5
A108-140	140X115X15	140	115	15	134	6,5
A108-150	150X120X19	150	120	19	144	8
A108-160	160X145X12	160	145	12	154	6,5
A108-170	170X155X12	170	155	12	164	6,5



A109

A109 组合密封由于采用“V”型TPE支撑环，使得它可以在0-700 bar压力范围内不会产生任何密封间隙。A109由一个NBR密封环，两个TPE支撑环以及两个填充玻璃纤维的POM环组成。

With its “V” shaped TPE support rings, A109 heavy duty compact seals can operate without any sealing gaps between 0-700 bar. Each one consists of one NBR ring, two TPE support rings and 2 Glass Filled POM rings.

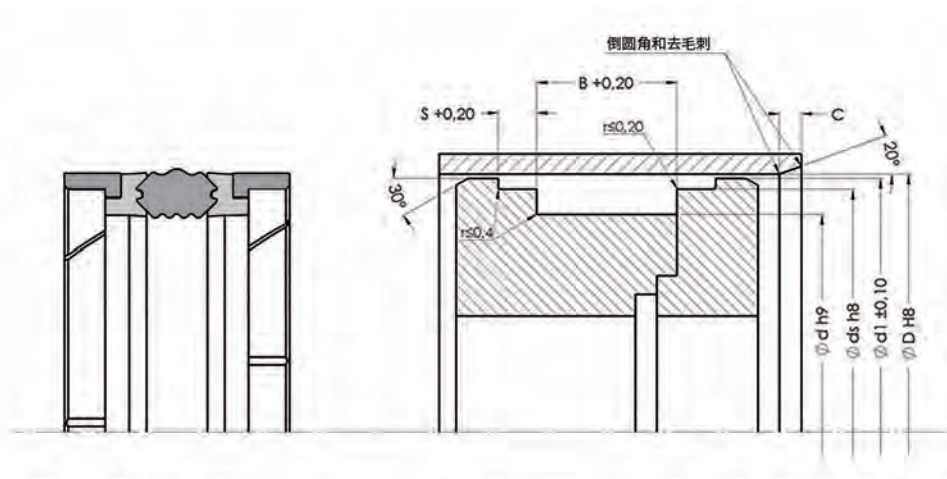
技术参数 / TECHNICAL DATA

工作压力 / Working Pressure	700 Bar
工作温度 / Working Temperature	-30 +105°C
滑动速度 / Sliding Speed	0.5 m/sn
材料 / Material	80 NBR/TPE/ 玻璃填充POM
介质 / Media	矿物基液压油 / Mineral Base Hydraulic Oil

表面粗糙度 / Surface Roughness

	Ra	Rmax
动态表面 / Dynamic Surface	≤0.4 μm	≤4.0 μm
槽底部 / Groove Base	≤1.6 μm	≤6.3 μm
槽侧面 / Groove Flanks	≤3.2 μm	≤16 μm





ALP 码 - Code	尺寸 - Dimension	ØD	Ød	B	Øds	Ød1	S	C
A109 050-034	50X34X32	50	34	32	43,77	47,8	6,35	5
A109 100-080	100X80X35	100	80	35	92,6	97,5	9,52	7
A109 110-090	110X90X35	110	90	35	102,7	107,5	9,52	7
A109 125-100	125X100X45	125	100	45	116,82	122,3	12,7	7
A109 140-115	140X115X45	140	115	45	131,7	137,3	12,7	6
A109 150-125	150X125X45	150	125	45	141,72	147,3	12,7	7
A109 160-135	160X135X45	160	135	45	151,72	157,1	12,7	7
A109 170-140	170X140X45	170	140	45	163	167,8	12,7	7

A109



A110

A110 活塞密封由一个PU环和一个NBR环组成。

A110 sealing elements consist of one PU ring and one NBR ring.

这种密封件具有双向密封作用, 性价比非常高, 因此得到广泛使用。

These seals work as double acting. They are commonly used, thanks to their price-performance ratio.

技术参数 / TECHNICAL DATA

工作压力 / Working Pressure	400 Bar
工作温度 / Working Temperature	-30 +100°C
滑动速度 / Sliding Speed	0.5 m/sn
材料 / Material	80 NBR / 98 PU
介质 / Media	矿物基液压油 / Mineral Base Hydraulic Oil

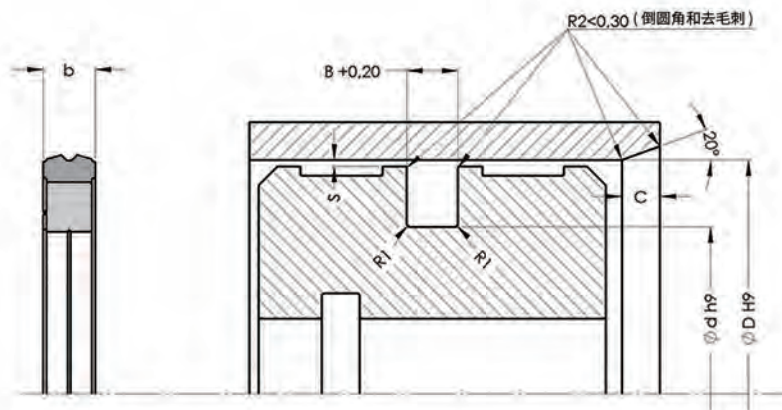
表面粗糙度 / Surface Roughness

	Ra	Rmax
动态表面 / Dynamic Surface	≤0.4 μm	≤3.0 μm
槽底部 / Groove Base	≤1.6 μm	≤6.3 μm
槽侧面 / Groove Flanks	≤3.2 μm	≤16 μm

材料最大许允间隙 / Permissible Gap (s max.)

外壳长度 (B) / Housing Length (B)	压力值 (巴) / Pressure (bar)		
	150	250	400
3.20	0.30	0.20	-
4.20	0.40	0.30	-
6.30	0.50	0.40	0.25
8.10	0.60	0.50	0.35



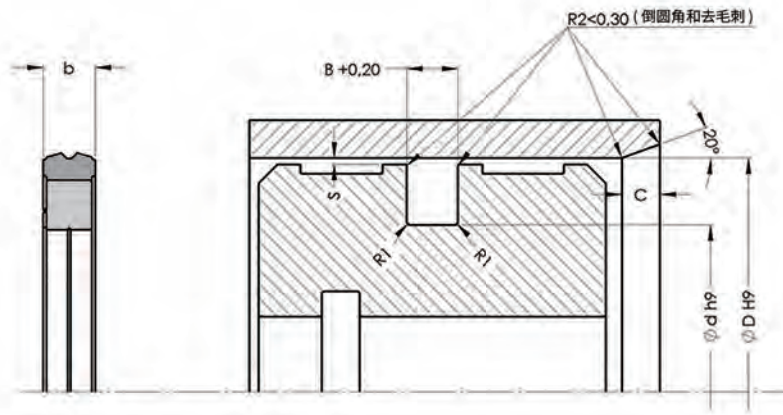


ALP 码 - Code	尺寸 - Dimension	ØD	Ød	B	b	C	R1
A110 020-012,5	20X12,5X3,2	20	12,5	3,2	3	2	0,2
A110 020-014	20X14X4,2	20	14	4,2	4	2,5	0,3
A110 025-017,5	25X17,5X3,2	25	17,5	3,2	3	2	0,2
A110 030-022,5	30X22,5X3,2	30	22,5	3,2	3	2	0,2
A110 032-021	32X21X4,2	32	21	4,2	4	2,5	0,3
A110 032-024,5	32X24,5X3,2	32	24,5	3,2	3	2	0,2
A110 040-027	40X27X6,3	40	27	6,3	6	3	0,3
A110 040-029	40X29X4,2	40	29	4,2	4	2,5	0,3
A110 040-032,5	40X32,5X3,2	40	32,5	3,2	3	2	0,2
A110 045-032	45X32X6,3	45	32	6,3	6	3	0,3
A110 045-034	45X34X4,2	45	34	4,2	4	2,5	0,3
A110 050-034,5	50X34,5X6,3	50	34,5	6,3	6	3	0,3
A110 050-037	50X37X6,3	50	37	6,3	6	3	0,3
A110 050-039	50X39X4,2	50	39	4,2	4	2,5	0,3
A110 055-039,5	55X39,5X6,3	55	39,5	6,3	6	3	0,3
A110 060-044,5	60X44,5X6,3	60	44,5	6,3	6	3	0,3
A110 060-049	60X49X4,2	60	49	4,2	4	2,5	0,3
A110 063-047,5	63X47,5X6,3	63	47,5	6,3	6	3	0,3
A110 063-050	63X50X6,3	63	50	6,3	6	3	0,3
A110 063-052	63X52X4,2	63	52	4,2	4	2,5	0,3
A110 065-049,5	65X49,5X6,3	65	49,5	6,3	6	3	0,3
A110 065-052	65X52X6,3	65	52	6,3	6	3	0,3
A110 065-054	65X54X6,3	65	54	6,3	6	4	0,3
A110 070-054,5	70X54,5X6,3	70	54,5	6,3	6	4	0,3
A110 070-057	70X57X6,3	70	57	6,3	6	4	0,3
A110 070-059	70X59X4,2	70	59	4,2	4	3	0,3
A110 075-059,5	75X59,5X6,3	75	59,5	6,3	6	4	0,3
A110 075-062	75X62X6,3	75	62	6,3	6	4	0,3
A110 080-059	80X59X8,1	80	59	8,1	7,75	5	0,4
A110 080-059/1	80X59X10,5	80	59	10,5	10	7	0,4
A110 080-064,5	80X64,5X6,3	80	64,5	6,3	6	4	0,3
A110 080-066,5	80X66,5X6,3	80	66,5	6,3	6	4	0,3
A110 080-069	80X69X4,2	80	69	4,2	4	3	0,3
A110 085-069,5	85X69,5X6,3	85	69,5	6,3	6	4	0,3
A110 085-071,5	85X71,5X6,3	85	71,5	6,3	6	4	0,3
A110 090-069	90X69X8,1	90	69	8,1	7,75	5	0,4
A110 090-069/1	90X69X10,5	90	69	10,5	10	7	0,4
A110 090-074,5	90X74,5X6,3	90	74,5	6,3	6	4	0,3
A110 095-079,5	95X79,5X6,3	95	79,5	6,3	6	4	0,3

A110



全球密封方案



ALP 码 - Code	尺寸 - Dimension	ØD	Ød	B	b	C	R1
A110 100-079	100X79X8,1	100	79	8,1	7,75	5	0,4
A110 100-084,5	100X84,5X6,3	100	84,5	6,3	6	4	0,3
A110 100-086,5	100X86,5X6,3	100	86,5	6,3	6	4	0,3
A110 100-089,5	100X89,5X6,3	100	89,5	6,3	6	4	0,3
A110 105-089,5	105X89,5X6,3	105	89,5	6,3	6	4	0,3
A110 110-089	110X89X8,1	110	89	8,1	7,75	5	0,4
A110 110-089/1	110X89X10,5	110	89	10,5	10	7	0,4
A110 110-094,5	110X94,5X6,3	110	94,5	6,3	6	4	0,3
A110 115-094	115X94X8,1	115	94	8,1	7,75	5	0,4
A110 120-099	120X99X8,1	120	99	8,1	7,75	5	0,4
A110 120-099/1	120X99X10,5	120	99	10,5	10	7	0,4
A110 120-104,5	120X104,5X6,3	120	104,5	6,3	6	4	0,3
A110 125-104/1	125X104X8,1	125	104	8,1	7,75	5	0,4
A110 125-104	125X104X10,5	125	104	10,5	10	7	0,4
A110 125-109,5	125X109,5X6,3	125	109,5	6,3	6	4	0,3
A110 130-109	130X109X8,1	130	109	8,1	7,75	5	0,4
A110 140-119	140X119X8,1	140	119	8,1	7,75	5	0,4
A110 140-119/1	140X119X10,5	140	119	10,5	10	7	0,4
A110 150-129	150X129X8,1	150	129	8,1	7,75	5	0,4
A110 150-129/1	150X129X10,5	150	129	10,5	10	7	0,4
A110 160-139	160X139X8,1	160	139	8,1	7,75	5	0,4
A110 180-159	180X159X8,1	180	159	8,1	7,75	5	0,4
A110 200-175	200X175X12,5	200	175	12,5	12	9	0,4
A110 200-179	200X179X8,1	200	179	8,1	7,75	5	0,4

A110



全球密封方案



A120

A120由多个V型环组合而成, 这些V型环是由预先制成的模花纤维织物和NBR材料模压而成。

它们总共由七个元件组成而成, 一个POM前环, 三个橡胶夹织物中环, 两个NBR中环以及一个橡胶夹织物承托环。

这种组合密封推荐使用于杆密封, 且装配于开式密封沟槽中。

如果开式密封沟槽外的尺寸B与组合密封总高度之间的比例调整在7.5%, 使用将更加方便。不建议在装配过程中过度挤压密封环, 因为这样会增加密封的摩擦力。

A120 Packings are made up of "V" shaped rings combination that are preformed and moulded with NBR applied on cotton fabric.

They consist of 7 elements in total which are 1 front POM ring, 3 fabricated NBR middle ring, 2 NBR middle ring and 1 fabricated NBR back ring.

These packings are recommended to be used in rod applications and be assembled to open seal housing.

If the ratio between the "B" height of open seal housing and total packing's height is adjusted at %7.5, it offers easier usage. It is not recommended to overpress the rings during assembly because it will lead to high friction.

技术参数 / TECHNICAL DATA

工作压力 / Working Pressure	400 Bar
工作温度 / Working Temperature	-30 +105°C
滑动速度 / Sliding Speed	0.5 m/sn
材料 / Material	90 NBR + 橡胶夹织物 + POM
介质 / Media	矿物基液压油 / Mineral Base Hydraulic Oil

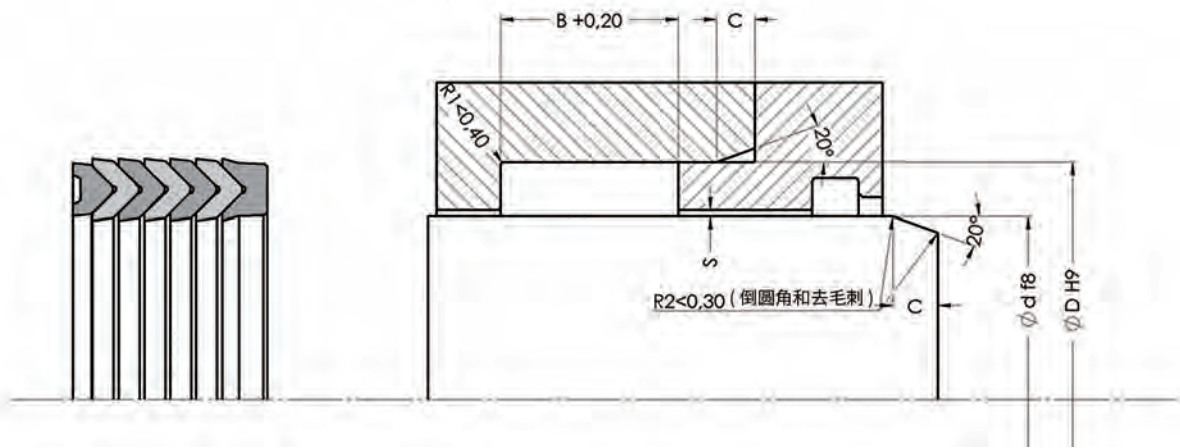
表面粗糙度 / Surface Roughness

	Ra	Rmax
动态表面 / Dynamic Surface	≤0.4 μm	≤3.2 μm
槽底部 / Groove Base	≤1.6 μm	≤6.3 μm
槽侧面 / Groove Flanks	≤3.2 μm	≤16 μm

材料最大许允间隙 / Permissible Gap (s max.)

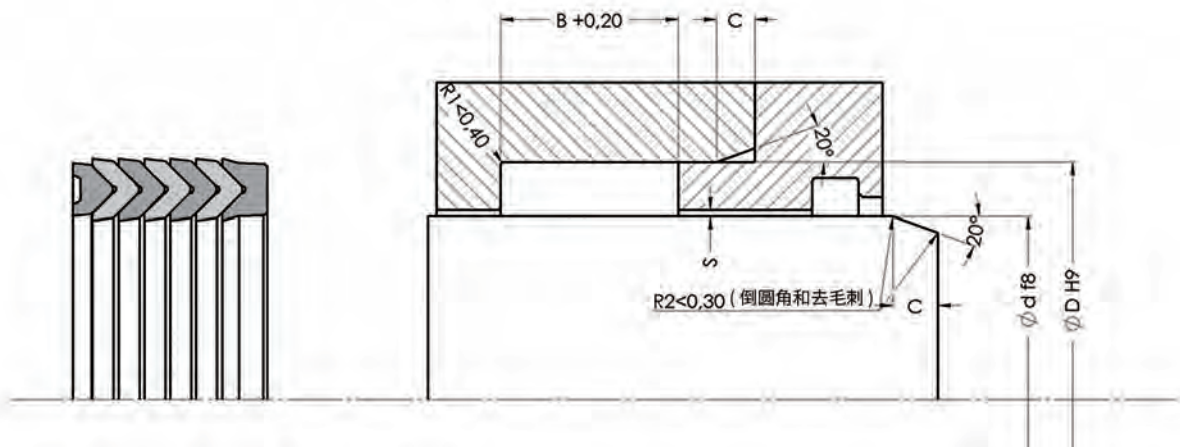
工作压力 / Working Pressure	S(mm)
P≤350	0.45
350<P≤600	0.25





ALP 码 - Code	尺寸 - Dimension	Ød	ØD	B	C
A120-008	8X18X18,5	8	18	18,5	4
A120-010	10X20X18,5	10	20	18,5	4
A120-012	12X22X18,5	12	22	18,5	4
A120-013	13,5X25X16,5	13,5	25	16,5	4
A120-014	14X24X18,5	14	24	18,5	4
A120-015	15X25X18,5	15	25	18,5	4
A120-015/1	15X32X25	15	32	25	6
A120-016	16X26X18,5	16	26	18,5	4
A120-018	18X28X18,5	18	28	18,5	4
A120-018/2	18X32X18,5	18	32	18,5	4
A120-018/1	18X32X23,5	18	32	23,5	4
A120-020	20X30X18,5	20	30	18,5	4
A120-020/1	20X32X22,5	20	32	22,5	4
A120-022	22X32X18,5	22	32	18,5	4
A120-022/1	22X34X22,5	22	34	22,5	4
A120-025	25X37X22,5	25	37	22,5	4
A120-025/1	25X40X22,5	25	40	22,5	6
A120-028	28X40X22,5	28	40	22,5	4
A120-028/1	28X43X22,5	28	43	22,5	6
A120-030	30X42X22,5	30	42	22,5	4
A120-030/1	30X45X22,5	30	45	22,5	6
A120-030/3	30X50X22,5	30	50	22,5	6
A120-030/2	30X50X37	30	50	37	6
A120-032	32X44X22,5	32	44	22,5	4
A120-032/1	32X47X22,5	32	47	22,5	6
A120-035	35X47X22,5	35	47	22,5	4
A120-035/1	35X50X22,5	35	50	22,5	6
A120-036	36X48X22,5	36	48	22,5	4
A120-036/1	36X51X22,5	36	51	22,5	6
A120-040	40X52X22,5	40	52	22,5	4
A120-040/1	40X55X22,5	40	55	22,5	6
A120-040/2	40X55X25	40	55	25	6
A120-040/3	40X56X22,5	40	56	22,5	6
A120-042	42X54X22,5	42	54	22,5	4
A120-042/1	42X57X22,5	42	57	22,5	6
A120-045	45X60X22,5	45	60	22,5	6
A120-045/3	45X62X26	45	62	26	6
A120-045/1	45X65X22,5	45	65	22,5	6
A120-045/2	45X65X27,5	45	65	27,5	6

A120



ALP 码 - Code	尺寸 - Dimension	Ød	ØD	B	C
A120-047	47X65X33	47	65	33	6
A120-048	48X63X22,5	48	63	22,5	6
A120-050	50X65X22,5	50	65	22,5	6
A120-050/1	50X70X30	50	70	30	6
A120-055/2	55X67X24	55	67	24	4
A120-055	55X70X22,5	55	70	22,5	6
A120-055/1	55X75X30	55	75	30	6
A120-056	56X71X22,5	56	71	22,5	6
A120-056/2	56X72X49	56	72	49	6
A120-056/1	56X76X37	56	76	37	6
A120-060	60X75X22,5	60	75	22,5	6
A120-060/1	60X80X37	60	80	37	6
A120-060/3	60X85X37	60	85	37	8
A120-063	63X78X22,5	63	78	22,5	6
A120-063/1	63X83X37	63	83	37	6
A120-063/2	63,5X78X40	63,5	78	40	6
A120-065	65X80X22,5	65	80	22,5	6
A120-065/1	65X85X40	65	85	40	6
A120-070	70X85X22,5	70	85	22,5	6
A120-070/1	70X90X40	70	90	40	6
A120-070/3	70X95X40	70	95	40	8
A120-070/2	70X100X45	70	100	45	8
A120-075/2	75X87X25	75	87	25	4
A120-075	75X90X22,5	75	90	22,5	6
A120-075/1	75X95X40	75	95	40	6
A120-075/3	75X100X34	75	100	34	8
A120-080	80X95X22,5	80	95	22,5	6
A120-080/1	80X100X40	80	100	40	6
A120-085	85X100X22,5	85	100	22,5	6
A120-085/1	85X105X40	85	105	40	6
A120-090	90X105X22,5	90	105	22,5	6
A120-090/3	90X110X22,5	90	110	22,5	6
A120-090/2	90X110X26	90	110	26	6
A120-090/1	90X110X40	90	110	40	6
A120-095	95X120X50	95	120	50	8
A120-100	100X115X30	100	115	30	6
A120-100/1	100X120X40	100	120	40	6
A120-105	105X120X30	105	120	30	6
A120-105/1	105X125X40	105	125	40	6

A120





A121

A121密封由V型组合而成, 这些V型环是由预先制成的模花纤维织物和NBR材料模压而成。

它们总共包含三个元件组成: 一个POM前环, 一个NBR中环和一个橡胶夹织物承托环。

这种密封件推荐使用于活塞应用中, 且装配于开式密封沟槽中。

A121 Packings are made up of "V" shaped rings combination that are preformed and moulded with NBR applied on cotton fabric.

They consist of 3 elements in total which are 1 POM front ring, fabricated NBR middle ring and 1 fabricated NBR back ring.

These packings are recommended to be used in piston applications and assembled to open seal housing.

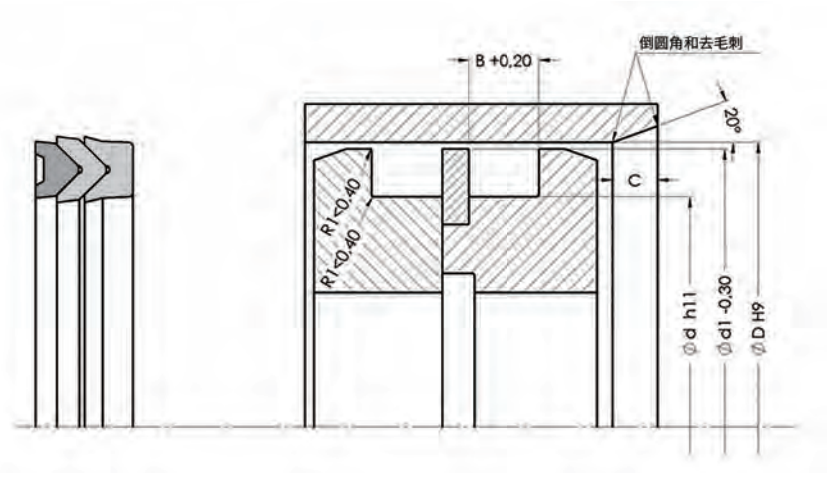
技术参数 / TECHNICAL DATA

工作压力 / Working Pressure	400 Bar
工作温度 / Working Temperature	-30 +105°C
滑动速度 / Sliding Speed	0.5 m/sn
材料 / Material	橡胶夹织物 + POM
介质 / Media	矿物基液压油 / Mineral Base Hydraulic Oil

表面粗糙度 / Surface Roughness

	Ra	Rmax
动态表面 / Dynamic Surface	≤0.4 μm	≤3.2 μm
槽底部 / Groove Base	≤1.6 μm	≤6.3 μm
槽侧面 / Groove Flanks	≤3.2 μm	≤16 μm





ALP 码 - Code	尺寸- Dimension	ØD	Ød	B	Ød1	C
A121-020	20X10X8,9	20	10	9,3	19,5	6
A121-022	22X12X8,9	22	12	9,3	21,5	6
A121-025	25X15X8,9	25	15	9,3	24,5	6
A121-028	28X18X8,9	28	18	9,3	27,5	6
A121-030	30X20X8,9	30	20	9,3	29,5	6
A121-032	32X20X10,4	32	20	10,9	31	6
A121-035	35X23X10,4	35	23	10,9	34	6
A121-036	36X24X10,4	36	24	10,9	35	6
A121-040	40X25X11	40	25	11,5	39	6
A121-042	42X27X11	42	27	11,5	41	6
A121-045	45X30X11	45	30	11,5	44	6
A121-050	50X35X11	50	35	11,5	49	6
A121-055	55X40X11	55	40	11,5	54	6
A121-056	56X41X11	56	41	11,5	55	6
A121-060	60X45X11	60	45	11,5	59	6
A121-063	63X48X12,5	63	48	13	62	6
A121-070	70X50X14,6	70	50	15,2	69	7
A121-080	80X60X14,6	80	60	15,2	79	7
A121-090	90X70X20,6	90	70	21,2	89	7
A121-100	100X80X20,6	100	80	21,2	99	7
A121-110	110X90X20,6	110	90	21,2	109	7
A121-115	115X95X20,6	115	95	21,2	114	7
A121-125	125X100X25	125	100	25,8	124	8
A121-140	140X115X25	140	115	25,8	139	8
A121-150	150X120X28	150	120	29	148,5	8
A121-160	160X130X28	160	130	29	158,5	8
A121-180	180X150X30,5	180	150	31,5	178,5	8
A121-200	200X170X32,5	200	170	33,5	198,5	8
A121-250	250X220X32,5	250	220	33,5	248,5	8
A121-300	300X270X32,5	300	270	33,5	299,5	8



A122

A122 由多个 V 型环组合而成, 这些 V 型环是由预先制成的模花纤维织物和 NBR 材料模压而成。

它们总共由七个元件组成而成, 一个 POM 前环, 三个橡胶夹织物中环, 两个 NBR 中环以及一个橡胶夹织物承托环。

建议将这些密封垫用于活塞杆应用, 并组装成可打开密封的壳体。如果将开放式密封罩的“B”高度与总包装高度之间的比例调整为 7.5%, 则使用起来会更容易。不建议在组装过程中过度压紧环, 因为这会导致高摩擦。

A122 Packings are made up of “V” shaped rings combination that are preformed and moulded with NBR applied on cotton fabric.

They consist of 7 elements in total which are 1 front POM ring, 3 fabricated NBR middle ring, 2 NBR middle ring and 1 fabricated NBR back ring.

These packings are recommended to be used in rod applications and be assembled to open seal housing. If the ratio between the “B” height of open seal housing and total packing’s height is adjusted at 7.5%, it offers easier usage. Its is not recommended to overpress the rings during assembly because it will lead to high friction.

技术参数 / TECHNICAL DATA

工作压力 / Working Pressure	400 Bar
工作温度 / Working Temperature	-30 +105°C
滑动速度 / Sliding Speed	0.5 m/sn
材料 / Material	90 NBR + 橡胶夹织物 + POM
介质 / Media	矿物基液压油 / Mineral Base Hydraulic Oil

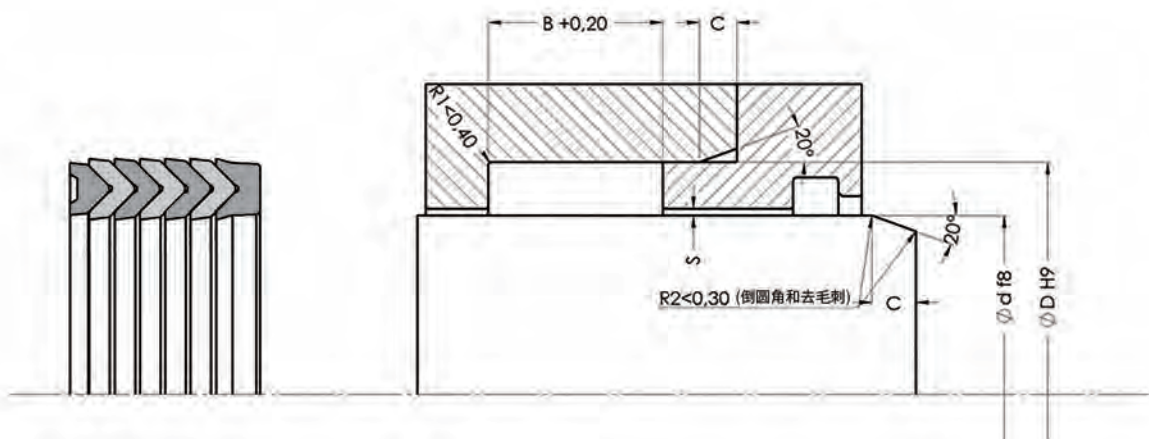
表面粗糙度 / Surface Roughness

	Ra	Rmax
动态表面 / Dynamic Surface	≤0.4 μm	≤3.2 μm
槽底部 / Groove Base	≤1.6 μm	≤6.3 μm
槽侧面 / Groove Flanks	≤3.2 μm	≤16 μm

材料最大许允间隙 / Permissible Gap (s max.)

工作压力 / Working Pressure	S(mm)
P≤350	0.45
350<P≤600	0.25





ALP 码 - Code	尺寸- Dimension	Ød	ØD	B	C
A122-012	12,7X25,4X19,05	12,7	25,4	19,05	4
A122-019	19,05X28,5X17,46	19,05	28,5	17,46	4
A122-020	20,62X33,32X33,32	20,62	33,32	33,32	4
A122-022	22,22X34,92X19,05	22,22	34,92	19,05	4
A122-031	31,75X44,45X25,4	31,75	44,45	25,4	4
A122-038	38,1X50,8X25,4	38,1	50,8	25,4	4
A122-038/1	38,1X53,98X25,4	38,1	53,98	25,4	6
A122-044	44,45X57,15X25,4	44,45	57,15	25,4	4
A122-044/1	44,45X63,5X38,1	44,45	63,5	38,1	6
A122-044/2	44,45X69,85X50,8	44,45	69,85	50,8	8
A122-050	50,8X63,5X25,4	50,8	63,5	25,4	4
A122-050/1	50,8X65X25,4	50,8	65	25,4	4
A122-050/2	50,8X66,67X25,4	50,8	66,67	25,4	6
A122-050/3	50,8X69,85X25,4	50,8	69,85	25,4	6
A122-053	53,98X69,85X28,5	53,98	69,85	28,5	6
A122-057	57,16X76,2X25,4	57,16	76,2	25,4	6
A122-063	63,5X76,2X28,5	63,5	76,2	28,5	4
A122-063/1	63,5X78X41	63,5	78	41	4
A122-063/2	63,5X79,37X28,5	63,5	79,37	28,5	6
A122-063/3	63,5X82,55X28,5	63,5	82,55	28,5	6
A122-069/1	69,85X82,55X31,75	69,85	82,55	31,75	4
A122-069	69,85X88,9X31,75	69,85	88,9	31,75	6
A122-076	76,2X88,9X25,4	76,2	88,9	25,4	4
A122-076/1	76,2X95,25X31,75	76,2	95,25	31,75	6
A122-076/2	76,2X101,6X38,1	76,2	101,6	38,1	8
A122-082	82,55X101,6X31,75	82,55	101,6	31,75	6
A122-088	88,9X104,8X28,5	88,9	104,8	28,5	6
A122-088/1	88,9X107,95X30,16	88,9	107,95	30,16	6
A122-088/2	88,9X114,3X38,1	88,9	114,3	38,1	8
A122-095	95,25X114,3X30,16	95,25	114,3	30,16	6
A122-101	101,6X127X38,1	101,6	127	38,1	8
A122-107	107,95X127X31,75	107,95	127	31,75	6
A122-107/1	107,95X130,18X38,1	107,95	130,18	38,1	6
A122-114	114,3X133,36X31,75	114,3	133,36	31,75	6
A122-114/1	114,3X139,7X38,1	114,3	139,7	38,1	8
A122-127	127X158,75X60	127	158,75	60	8

A122





A123

A123具有双向密封做的活塞密封件由特殊形状的PU密封环和一个O型圈组成。此O型圈的作用是使PU密封环能有效的合缸套表面贴合在一起提高密封效果。

由于高性价比,它们常被用于轻液压缸中。在必要时,它们可以作为活塞密封件用于气动密封中。

A123 Double acting piston seals consist of special formed PU ring and O-ring that is used as energizing ring.

They are commonly used in light duty cylinders thanks to their efficient price-performance ratio. In case of necessity they can be used in pneumatic applications as a piston seal.

技术参数 / TECHNICAL DATA

工作压力 / Working Pressure	400 Bar
工作温度 / Working Temperature	-30 +100°C
滑动速度 / Sliding Speed	0.5 m/sn
材料 / Material	98 PU + 70 NBR
介质 / Media	矿物基液压油 / Mineral Base Hydraulic Oil

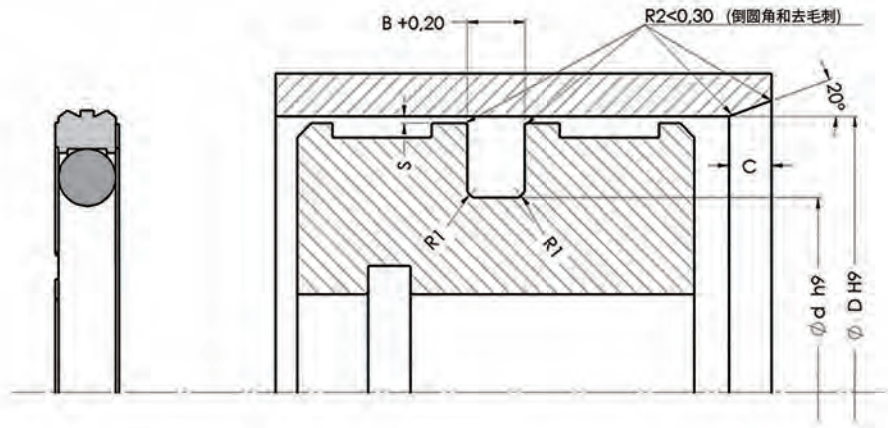
表面粗糙度 / Surface Roughness

	Ra	Rmax
动态表面 / Dynamic Surface	≤0.4 μm	≤ 3.2 μm
槽底部 / Groove Base	≤1.6 μm	≤ 6.3 μm
槽侧面 / Groove Flanks	≤3.2 μm	≤ 16 μm

材料最大许允间隙/ Permissible Gap (s max.)

外壳长度 (B) / Housing Length (B)	S (max)
3.20	0.25
4.20	0.25
6.30	0.30
8.10	0.30





ALP 码 - Code	尺寸- Dimension	ØD	Ød	B	C	R1
A123 016-008,5	16X8,5X3,2	16	8,5	3,2	3	0,6
A123 025-017,5	25X17,5X3,2	25	17,5	3,2	3	0,6
A123 030-022,5	30X22,5X3,2	30	22,5	3,2	3	0,6
A123 032-024,5	32X24,5X3,2	32	24,5	3,2	3	0,6
A123 035-027,5	35X27,5X3,2	35	27,5	3,2	3	0,6
A123 038-030,5	38X30,5X3,2	38	30,5	3,2	3	0,6
A123 025-014	25X14X4,2	25	14	4,2	4	1
A123 032-021	32X21X4,2	32	21	4,2	4	1
A123 040-029	40X29X4,2	40	29	4,2	4	1
A123 050-039	50X39X4,2	50	39	4,2	4	1
A123 060-049	60X49X4,2	60	49	4,2	4	1
A123 063-052	63X52X4,2	63	52	4,2	4	1
A123 065-054	65X54X4,2	65	54	4,2	4	1
A123 070-059	70X59X4,2	70	59	4,2	4	1
A123 075-064	75X64X4,2	75	64	4,2	4	1
A123 080-069	80X69X4,2	80	69	4,2	4	1
A123 050-034,5	50X34,5X6,3	50	34,5	6,3	5	1,3
A123 055-039,5	55X39,5X6,3	55	39,5	6,3	5	1,3
A123 060-044,5	60X44,5X6,3	60	44,5	6,3	5	1,3
A123 063-047,5	63X47,5X6,3	63	47,5	6,3	5	1,3
A123 065-049,5	65X49,5X6,3	65	49,5	6,3	5	1,3
A123 070-054,5	70X54,5X6,3	70	54,5	6,3	5	1,3
A123 075-059,5	75X59,5X6,3	75	59,5	6,3	5	1,3
A123 080-064,5	80X64,5X6,3	80	64,5	6,3	5	1,3
A123 085-069,5	85X69,5X6,3	85	69,5	6,3	5	1,3
A123 090-074,5	90X74,5X6,3	90	74,5	6,3	5	1,3
A123 100-084,5	100X84,5X6,3	100	84,5	6,3	5	1,3
A123 110-094,5	110X94,5X6,3	110	94,5	6,3	5	1,3
A123 120-104,5	120X104,5X6,3	120	104,5	6,3	5	1,3
A123 125-109,5	125X109,5X6,3	125	109,5	6,3	5	1,3
A123 130-114,5	130X114,5X6,3	130	114,5	6,3	5	1,3
A123 115-094	115X94X8,1	115	94	8,1	7	1,3
A123 125-104	125X104X8,1	125	104	8,1	7	1,3

A123



A124

A124活塞密封件用于双向密封的液压系统中, 并通过金属嵌件和NBR的模制生产。

A124活塞密封件通过使用在密封唇上产生预紧力的弹簧, 即使在低压下, 也可以提供更高的性能。

它也可以用于气动应用。

可以在高达16巴的气压下安全使用, 在液压应用中高达60巴的情况下可以安全使用。

A124 Piston seals designed as double acting and produced by molding of NBR with metal inserts.

By using spring which create pre-load on sealing lips, A124 piston seals provides increased performance even under low pressures.

They can be used in pneumatic applications too.

Can be used safely under up to 16 bar in pneumatic, up to 60 bar in hydraulic applications.

技术参数 / TECHNICAL DATA

工作压力 / Working Pressure	到60巴 (液压) - 到16巴 (气动) Up to 60 Bar (Hydraulic) - 16 Bar (Pneumatic)
工作温度 / Working Temperature	-30 +105°C
滑动速度 / Sliding Speed	0.5 m/sn
材料 / Material	90 NBR + 金属+弹簧
介质 / Media	矿物基液压油 / Mineral Base Hydraulic Oil

表面粗糙度 / Surface Roughness

	Rmax
工作面 / Working Surface	≤ 2 μm





A127

A127活塞密封件具有双向密封作用, 专为重负荷活塞密封而设计。由于它的Z切口密封环, 它们装配起来很简单。

A127重型活塞密封对于液压冲击负荷具有高的抗耐性。且由于它的高性能特殊材料, 它同时具高的抗挤出特性。

甚至在一台长时间待机的液压缸中, 无论用于加压或非加压情形, A127密封件都可以在首次启动中具有较小的摩擦力。它们具有'优异的静密封特性和动密封特性。

A127 series piston seals, that work double acting, are designed for heavy duty applications as piston seals. They are easily assembled thanks to the their "Z" cutted sealing ring.

They are highly resistant to hydraulic shock loads while working and they show resistance to extrusion thanks to the their high performed special material.

A127 seals have very low friction forces even at the first starting movement in for-a-long-time-awaited hydraulic cylinders in pressurized or nonpressurized environment. They have great static and dynamic sealing property.

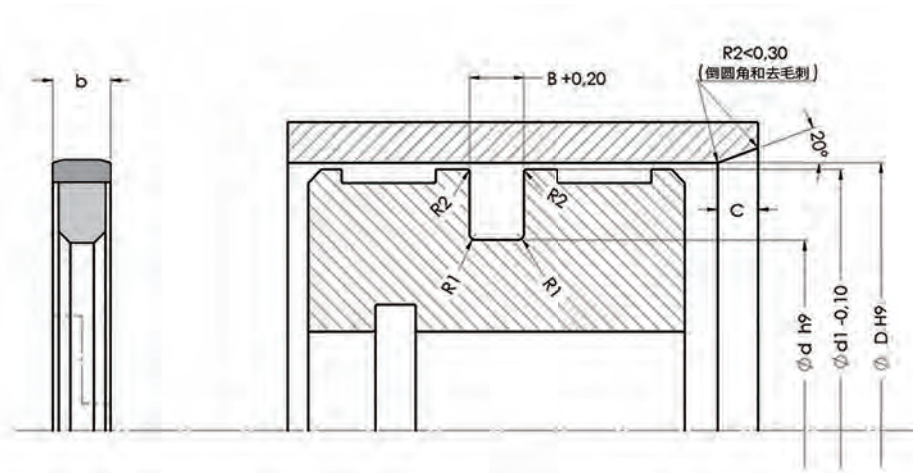
技术参数 / TECHNICAL DATA

工作压力 / Working Pressure	800 Bar
工作温度 / Working Temperature	-30 +105°C
滑动速度 / Sliding Speed	1.00 m/sn
材料 / Material	80 NBR / PA + 玻璃 填充
介质 / Media	矿物基液压油 / Mineral Base Hydraulic Oil

表面粗糙度 / Surface Roughness

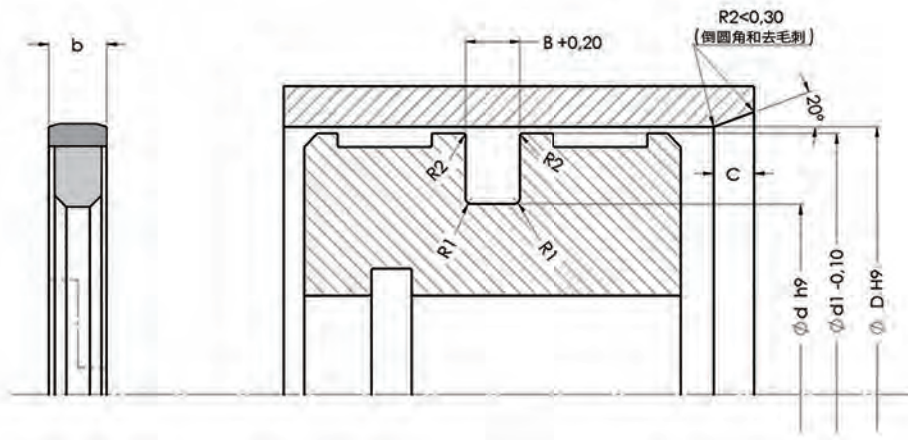
	Ra	Rmax
动态表面 / Dynamic Surface	≤0.2 μm	≤ 2 μm
槽底部 / Groove Base	≤1.6 μm	≤ 6.3 μm
槽侧面 / Groove Flanks	≤3.2 μm	≤ 15 μm





ALP 码 - Code	尺寸 - Dimension	ØD	Ød	B	b	Ød1	R1	R2
A127-045	45X34X4,2	45	34	4,2	4	44,3	0,9	0,3
A127-050	50X39X4,2	50	39	4,2	4	49,3	0,9	0,3
A127-060	60X49X4,2	60	49	4,2	4	59,3	0,9	0,3
A127-063/1	63X47,5X6,3	63	47,5	6,3	6	62	0,9	0,3
A127-063	63X52X4,2	63	52	4,2	4	62,2	0,9	0,3
A127-070	70X59X4,2	70	59	4,2	4	69,3	0,9	0,3
A127-075	75X54X8,1	75	54	8,1	7,8	74,2	0,9	0,3
A127-080	80X59X8,1	80	59	8,1	7,8	79	0,9	0,3
A127-080/1	80X69X4,2	80	69	4,2	4	79,3	0,9	0,3
A127-090	90X69X8,1	90	69	8,1	7,8	89	0,9	0,3
A127-090/2	90X74,5X6,3	90	74,5	6,3	6	89	0,9	0,3
A127-090/1	90X79X4,2	90	79	4,2	4	89,3	0,9	0,3
A127-095	95X74X8,1	95	74	8,1	7,8	94	0,9	0,3
A127-100	100X79X8,1	100	79	8,1	7,8	99	0,9	0,3
A127-100/2	100X84,5X6,3	100	84,5	6,3	6	99	0,9	0,3
A127-100/1	100X89X4,2	100	89	4,2	4	99,3	0,9	0,3
A127-110	110X89X8,1	110	89	8,1	7,8	108,8	0,9	0,3
A127-115	115X94X8,1	115	94	8,1	7,8	113,8	0,9	0,3
A127-120	120X99X8,1	120	99	8,1	7,8	118,8	0,9	0,3
A127-120/2	120X104,5X6,3	120	104,5	6,3	6	119	0,9	0,3
A127-120/1	120X109X4,2	120	109	4,2	4	119,3	0,9	0,3
A127-125	125X104X8,1	125	104	8,1	7,8	123,8	0,9	0,3
A127-125/1	125X114X4,2	125	114	4,2	4	124,3	0,9	0,3
A127-127	127X112,7X7,14	127	112,7	7,14	6,85	126	0,9	0,3
A127-130/1	130X109X8,1	130	109	8,1	7,8	128,8	0,9	0,3
A127-130	130X114,5X6,3	130	114,5	6,3	6	129	0,9	0,3
A127-135	135X114X8,1	135	114	8,1	7,8	133,8	0,9	0,3
A127-140	140X119X8,1	140	119	8,1	7,8	138,8	0,9	0,3
A127-140/1	140X129X4,2	140	129	4,2	4	139,3	0,9	0,3
A127-145	145X124X8,1	145	124	8,1	7,8	143,8	0,9	0,3
A127-150	150X129X8,1	150	129	8,1	7,8	148,8	0,9	0,3
A127-150/1	150X130,62X9,6	150	130,62	9,6	9,3	148,8	0,9	0,3
A127-150/2	150X134,5X4,2	150	134,5	4,2	4	149	0,9	0,3
A127-150/3	150X134,5X6,3	150	134,5	6,3	6	149	0,9	0,3
A127-160	160X139X8,1	160	139	8,1	7,8	158,8	0,9	0,3
A127-160/1	160X140,62X9,6	160	140,62	9,6	9,3	158,8	0,9	0,3
A127-165	165X144X8,1	165	144	8,1	7,8	163,8	0,9	0,3
A127-170/1	170X149X8,1	170	149	8,1	7,8	168,8	0,9	0,3
A127-170	170X150,62X9,6	170	150,62	9,6	9,3	168,9	0,9	0,3

A127



ALP 码 - Code	尺寸 - Dimension	$\varnothing D$	$\varnothing d$	B	b	$\varnothing d1$	R1	R2
A127-175	175X154X8,1	175	154	8,1	7,8	173,8	0,9	0,3
A127-180	180X159X8,1	180	159	8,1	7,8	178,8	0,9	0,3
A127-190	190X169X8,1	190	169	8,1	7,8	188,8	0,9	0,3
A127-200	200X179X8,1	200	179	8,1	7,8	198,8	0,9	0,3
A127-215	215X194X8,1	215	194	8,1	7,8	213,4	0,9	0,3
A127-220	220X199X8,1	220	199	8,1	7,8	218,4	0,9	0,3
A127-225	225X204X8,1	225	204	8,1	7,8	223,4	0,9	0,3
A127-230	230X209X8,1	230	209	8,1	7,8	228,4	0,9	0,3
A127-250	250X229X8,1	250	229	8,1	7,8	248,4	0,9	0,3
A127-260	260X239X8,1	260	239	8,1	7,8	258,4	0,9	0,3

A127



A151

A151 U 型杆密封件只活用于杆的密封,它的内密封唇比外密封唇经短。

A151 rod nutrings are designed only for rod applications with shorter inner sealing lip.

技术参数 / TECHNICAL DATA

标准材料 / Standard Materials	NBR	PU
工作压力 / Working Pressure	160 Bar	400 Bar
工作温度 / Working Temperature	-30 +105°C	-40 +100°C
滑动速度 / Sliding Speed	0.5 m/sn	0.5 m/sn
材料 / Material	90 NBR	92 PU
介质 / Media	矿物基液压油 / Mineral Base Hydraulic Oil	

表面粗糙度 / Surface Roughness

	Ra	Rmax
动态表面 / Dynamic Surface	≤0.3 μm	≤3 μm
槽底部 / Groove Base	≤1.8 μm	≤10 μm
槽侧面 / Groove Flanks	≤3.2 μm	≤16 μm

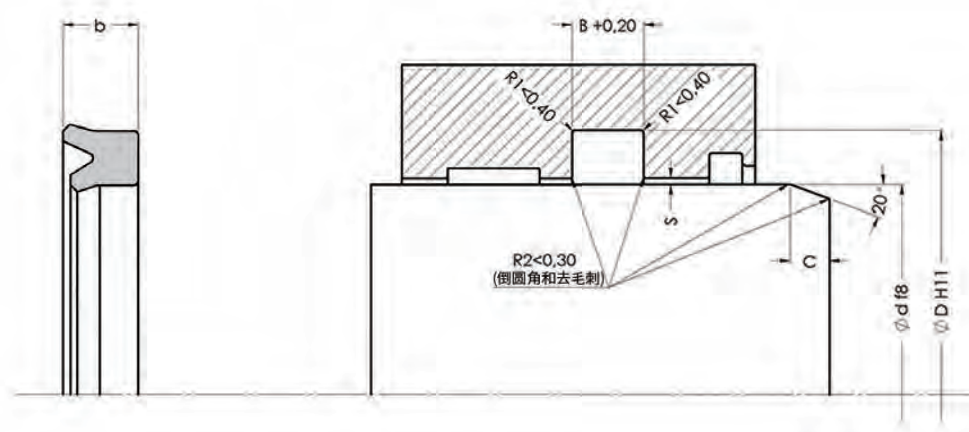
NBR 材料最大许允间隙 / Permissible Gap (max.) for NBR

横截面 / Cross Section	压力值 (巴) / Pressure (bar)		
	50	100	160
≤5	0.4	0.2	0.1
>5	0.45	0.25	0.15

PU 材料最大许允间隙 / Permissible Gap (max.) for PU

横截面 / Cross Section	压力值 (巴) / Pressure (bar)		
	150	250	400
≤5	0.3	0.2	0.15
>5	0.35	0.25	0.2

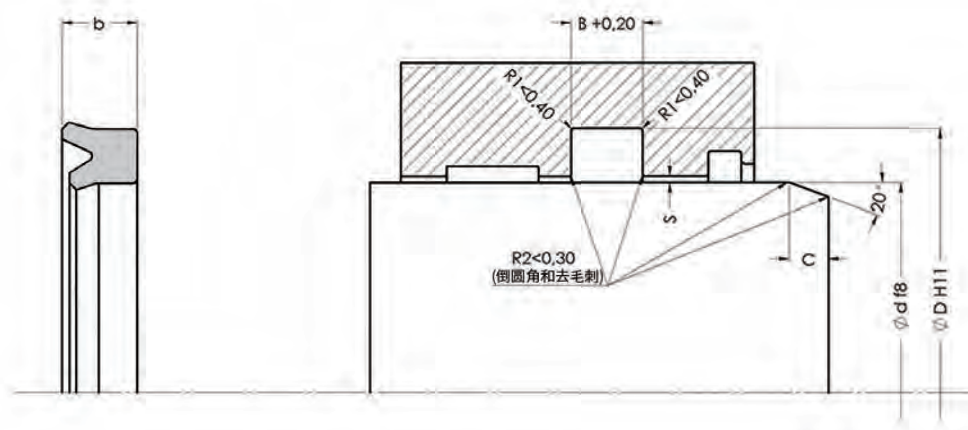




ALP 码 - Code	尺寸 - Dimension	Ød	ØD	b	B	C	PU	NBR
A151-002	2X5,5X2,6	2	5,5	2,6	3,1	2	PU	NBR
A151-004/2	4X8X3	4	8	3	3,5	2	PU	NBR
A151-004/1	4X12X4,5	4	12	4,5	5	4	PU	NBR
A151-004	4X12X6	4	12	6	7	4	PU	NBR
A151-005	5X10X4	5	10	4	4,5	2	PU	NBR
A151-006/1	6X12X4	6	12	4	4,5	3	PU	NBR
A151-006	6,35X12,7X3,96	6,35	12,7	3,96	4,46	3	PU	NBR
A151-008	8X13,2X3,1	8	13,2	3,1	3,6	2	PU	NBR
A151-008/3	8X14X4	8	14	4	4,5	3	PU	NBR
A151-008/2	8X14X4,5	8	14	4,5	5	3	PU	NBR
A151-008/1	8X16X5,5	8	16	5,5	6,5	4	PU	NBR
A151-009	9,52X16,5X3,96	9,52	16,5	3,96	4,46	3,5	PU	NBR
A151-010/2	10X13,6X2,3	10	13,6	2,3	2,8	2	PU	NBR
A151-010/3	10X14X2	10	14	2	2,5	2	PU	NBR
A151-010	10X14X4	10	14	4	4,5	2	PU	NBR
A151-010/4	10X16X4,5	10	16	4,5	5	3	PU	NBR
A151-010/1	10X18X5,5	10	18	5,5	6,5	4	PU	NBR
A151-012/1	12X18X4,5	12	18	4,5	5	3	PU	NBR
A151-012/2	12X20X5,5	12	20	5,5	6,5	4	PU	NBR
A151-012	12X22X7,5	12	22	7,5	8,5	4,5	PU	NBR
A151-014	14X18X4	14	18	4	4,5	2	PU	NBR
A151-014/3	14X19X3,5	14	19	3,5	4	2	PU	NBR
A151-014/1	14X22X5,5	14	22	5,5	6,5	4	PU	NBR
A151-014/2	14,28X20,63X4,76	14,28	20,63	4,76	5,76	3	PU	NBR
A151-015	15X23X6,3	15	23	6,3	7,3	4	PU	NBR
A151-015/1	15,87X22,22X4,76	15,87	22,22	4,76	5,76	3	PU	NBR
A151-016/6	16X20,6X3,3	16	20,6	3,3	3,8	3	PU	NBR
A151-016/5	16X22X5	16	22	5	6	3	PU	NBR
A151-016/4	16X22,5X4,5	16	22,5	4,5	5	3	PU	NBR
A151-016/3	16X23X5,5	16	23	5,5	6,5	3,5	PU	NBR
A151-016	16X24X5	16	24	5	6	4	PU	NBR
A151-016/1	16X24X5,5	16	24	5,5	6,5	4	PU	NBR
A151-016/2	16X26X7	16	26	7	8	4,5	PU	NBR
A151-018	18X24X5	18	24	5	6	3	PU	NBR
A151-018/5	18X25X4,5	18	25	4,5	5	3,5	PU	NBR
A151-018/1	18X25X5	18	25	5	6	3,5	PU	NBR
A151-018/2	18X25X5,5	18	25	5,5	6,5	3,5	PU	NBR
A151-018/3	18X26X4,5	18	26	4,5	5	4	PU	NBR
A151-018/6	18X26X5,5	18	26	5,5	6,5	4	PU	NBR

A151





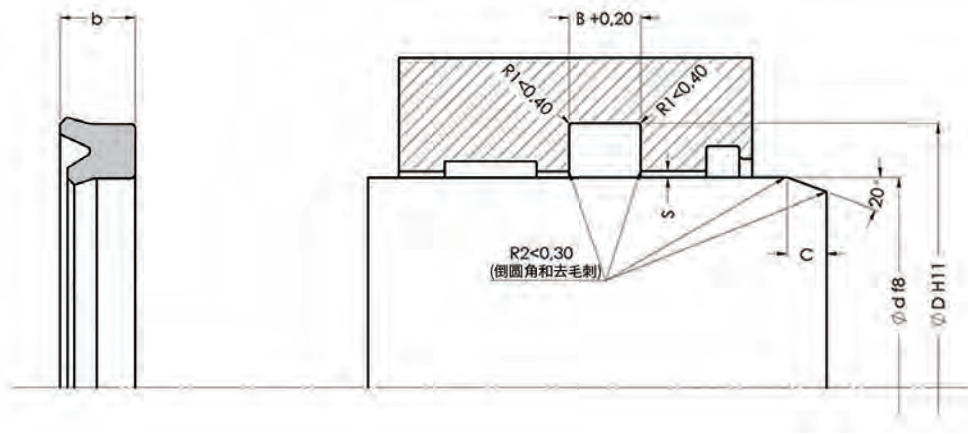
ALP 码 - Code	尺寸- Dimension	Ød	ØD	b	B	C	PU	NBR
A151-018/4	18X28X8,2	18	28	8,2	9,2	4,5	PU	NBR
A151-019	19,05X25,4X4,76	19,05	25,4	4,76	5,76	3	PU	NBR
A151-020/1	20X28X5,5	20	28	5,5	6,5	4	PU	NBR
A151-020	20X30X6	20	30	6	7	4,5	PU	NBR
A151-020/3	20X30X7	20	30	7	8	4,5	PU	NBR
A151-020/2	20X30X8	20	30	8	9	4,5	PU	NBR
A151-022/3	22X30X5,7	22	30	5,7	6,7	4	PU	NBR
A151-022	22X30X7	22	30	7	8	4	PU	NBR
A151-022/1	22X30X8	22	30	8	9	4	PU	NBR
A151-022/2	22X32X6	22	32	6	7	4,5	PU	NBR
A151-022/4	22,4X30X4,5	22,4	30	4,5	5	4	PU	NBR
A151-024/1	24X32X5,5	24	32	5,5	6,5	4	PU	NBR
A151-024	24X34X8,5	24	34	8,5	9,5	4,5	PU	NBR
A151-025/4	25X32X5,5	25	32	5,5	6,5	3,5	PU	NBR
A151-025/3	25X32X6	25	32	6	7	3,5	PU	NBR
A151-025/6	25X32X7	25	32	7	8	3,5	PU	NBR
A151-025/2	25X33X5,5	25	33	5,5	6,5	4	PU	NBR
A151-025/7	25X33X10	25	33	10	11	4	PU	NBR
A151-025	25X35X6	25	35	6	7	4,5	PU	NBR
A151-025/8	25X35X7	25	35	7	8	4,5	PU	NBR
A151-025/1	25X35X8	25	35	8	9	4,5	PU	NBR
A151-025/5	25X37X6	25	37	6	7	5	PU	NBR
A151-026	26,99X36,51X6,35	26,99	36,51	6,35	7,35	4,5	PU	NBR
A151-028/6	28X35,5X5	28	35,5	5	6	4	PU	NBR
A151-028/4	28X36X5,5	28	36	5,5	6,5	4	PU	NBR
A151-028/3	28X36X5,7	28	36	5,7	6,7	4	PU	NBR
A151-028/5	28X36X8	28	36	8	9	4	PU	NBR
A151-028	28X38X6	28	38	6	7	4,5	PU	NBR
A151-028/1	28X38X7	28	38	7	8	4,5	PU	NBR
A151-028/2	28X38X8	28	38	8	9	4,5	PU	NBR
A151-030/3	30X38X5,7	30	38	5,7	6,7	4	PU	NBR
A151-030/5	30X38X6,3	30	38	6,3	7,3	4	PU	NBR
A151-030/4	30X38X8	30	38	8	9	4	PU	NBR
A151-030/2	30X40X7	30	40	7	8	4,5	PU	NBR
A151-030	30X40X8	30	40	8	9	4,5	PU	NBR
A151-030/1	30X42X8,5	30	42	8,5	9,5	5	PU	NBR
A151-030/6	30,16X38,1X6,35	30,16	38,1	6,35	7,35	4	PU	NBR
A151-032/1	32X40X5,7	32	40	5,7	6,7	4	PU	NBR
A151-032/2	32X40X8	32	40	8	9	4	PU	NBR

A151

ALP 码 - Code	尺寸- Dimension	Ød	ØD	b	B	C	PU	NBR
A151-032	32X42X7	32	42	7	8	4,5	PU	NBR
A151-032/3	32X48X8	32	48	8	9	5,5	PU	NBR
A151-034	34X44X7	34	44	7	8	4,5	PU	NBR
A151-035/4	35X43X6	35	43	6	7	4	PU	NBR
A151-035/3	35X43X8	35	43	8	9	4	PU	NBR
A151-035/1	35X45X7	35	45	7	8	4,5	PU	NBR
A151-035	35X45X8	35	45	8	9	4,5	PU	NBR
A151-035/2	35X45X10	35	45	10	11	4,5	PU	NBR
A151-035/5	35,5X45,2X6	35,5	45,2	6	7	4,5	PU	NBR
A151-036/3	36X44X5,5	36	44	5,5	6,5	4	PU	NBR
A151-036/2	36X44X5,7	36	44	5,7	6,7	4	PU	NBR
A151-036/5	36X44X6	36	44	6	7	4	PU	NBR
A151-036/4	36X46X7	36	46	7	8	4,5	PU	NBR
A151-036	36X46X8	36	46	8	9	4,5	PU	NBR
A151-036/1	36X46X10	36	46	10	11	4,5	PU	NBR
A151-037	37X47X8	37	47	8	9	4,5	PU	NBR
A151-038	38,1X50,8X9,52	38,1	50,8	9,52	10,52	5	PU	NBR
A151-040/5	40X48X5,4	40	48	5,4	6,4	4	PU	NBR
A151-040/6	40X48X5,8	40	48	5,8	6,8	4	PU	NBR
A151-040/2	40X48X8	40	48	8	9	4	PU	NBR
A151-040/3	40X50X7	40	50	7	8	4,5	PU	NBR
A151-040/1	40X50X8	40	50	8	9	4,5	PU	NBR
A151-040	40X50X10	40	50	10	11	4,5	PU	NBR
A151-041	41,27X50,8X5,56	41,27	50,8	5,56	6,56	4,5	PU	NBR
A151-045/5	45X55X6	45	55	6	7	4,5	PU	NBR
A151-045/1	45X55X7	45	55	7	8	4,5	PU	NBR
A151-045/4	45X55X7,3	45	55	7,3	8,3	4,5	PU	NBR
A151-045	45X55X10	45	55	10	11	4,5	PU	NBR
A151-045/3	45X60X7	45	60	7	8	5,5	PU	NBR
A151-045/2	45X60X9	45	60	9	10	5,5	PU	NBR
A151-045/6	45X61X12	45	61	12	13	5,5	PU	NBR
A151-045/7	45X62X8	45	62	8	9	5,5	PU	NBR
A151-050/2	50X60X7	50	60	7	8	4,5	PU	NBR
A151-050	50X60X10	50	60	10	11	4,5	PU	NBR
A151-050/3	50X62X8	50	62	8	9	5	PU	NBR
A151-050/1	50X65X10	50	65	10	11	5,5	PU	NBR
A151-055/1	55X65X7,3	55	65	7,3	8,3	4,5	PU	NBR
A151-055	55X65X10	55	65	10	11	4,5	PU	NBR
A151-056	56X68X8,5	56	68	8,5	9,5	5	PU	NBR
A151-060	60X70X10	60	70	10	11	4,5	PU	NBR
A151-060/3	60X70X11	60	70	11	12	4,5	PU	NBR
A151-060/1	60X70X12	60	70	12	13	4,5	PU	NBR
A151-060/5	60X72X8,5	60	72	8,5	9,5	5	PU	NBR
A151-060/4	60X74X8	60	74	8	9	5	PU	NBR
A151-060/2	60X75X12	60	75	12	13	5,5	PU	NBR
A151-060/6	60X80X12	60	80	12	13	6	PU	NBR
A151-063/1	63X73X6,5	63	73	6,5	7,5	4,5	PU	NBR
A151-063	63X75X8,5	63	75	8,5	9,5	5	PU	NBR
A151-063/3	63X78,1X5,8	63	78,1	5,8	6,8	5,5	PU	NBR
A151-063/4	63X83X12	63	83	12	13	6	PU	NBR
A151-063/2	63,5X76,2X9,52	63,5	76,2	9,52	10,52	5	PU	NBR
A151-065	65X75X10	65	75	10	11	4,5	PU	NBR
A151-070	70X80X12	70	80	12	13	4,5	PU	NBR
A151-070/3	70X82X8,5	70	82	8,5	9,5	5	PU	NBR

A151





ALP 码 - Code	尺寸 - Dimension	Ød	ØD	b	B	C	PU	NBR
A151-070/1	70X85X10	70	85	10	11	5,5	PU	NBR
A151-070/2	70X85X12	70	85	12	13	5,5	PU	NBR
A151-075/1	75X85X7,2	75	85	7,2	8,2	4,5	PU	NBR
A151-075	75X85X12	75	85	12	13	4,5	PU	NBR
A151-078	78X88X8	78	88	8	9	4,5	PU	NBR
A151-080	80X90X12	80	90	12	13	4,5	PU	NBR
A151-080/1	80X92X8,5	80	92	8,5	9,5	5	PU	NBR
A151-080/2	80X92X9,5	80	92	9,5	10,5	5	PU	NBR
A151-085/1	85X95X7	85	95	7	8	4,5	PU	NBR
A151-085	85X95X12	85	95	12	13	4,5	PU	NBR
A151-085/2	85X100X9	85	100	9	10	5,5	PU	NBR
A151-090	90X100X12	90	100	12	13	4,5	PU	NBR
A151-090/1	90X102X8,5	90	102	8,5	9,5	5	PU	NBR
A151-095	95X105X12	95	105	12	13	4,5	PU	NBR
A151-100	100X110X14	100	110	14	15	4,5	PU	NBR
A151-100/2	100X115X10	100	115	10	11	5,5	PU	NBR
A151-100/1	100X115X12	100	115	12	13	5,5	PU	NBR
A151-105	105X120X12	105	120	12	13	5,5	PU	NBR
A151-110	110X130X14	110	130	14	15	6	PU	NBR
A151-120/1	120X135X9,5	120	135	9,5	10,5	5,5	PU	NBR
A151-120	120X140X14,6	120	140	14,6	15,6	6	PU	NBR
A151-125	125X145X12	125	145	12	13	6	PU	NBR
A151-135	135X145X12	135	145	12	13	4,5	PU	NBR
A151-140	140X160X14	140	160	14	15	6	PU	NBR
A151-155	155X165X12	155	165	12	13	4,5	PU	NBR
A151-160	160X170X12	160	170	12	13	4,5	PU	NBR
A151-180	180X200X11,5	180	200	11,5	12,5	6	PU	NBR
A151-190	190X210X15	190	210	15	16	6	PU	NBR
A151-220	220X240X15	220	240	15	16	6	PU	NBR
A151-240	240X260X15	240	260	15	16	6	PU	NBR

A151



A152

A152重型密封件在重型应用中具有不可挑剔的密封性能，因为它具有两个密封唇和POM 密封支撑环。

A152 heavy duty rod seals offer perfect sealing in heavy duty applications thanks to their double sealing lips and POM back-up ring.

即使在极低的压力下，NBR O型圈也能保证最佳的密封性能。

NBR O-ring guarantees the maximum sealing performance even in very low pressures.

技术参数 / TECHNICAL DATA

工作压力 / Working Pressure	600 Bar
工作温度 / Working Temperature	-40 +100°C
滑动速度 / Sliding Speed	0.5 m/sn
材料 / Material	92 PU + POM + 70 NBR
介质 / Media	矿物基液压油 / Mineral Base Hydraulic Oil

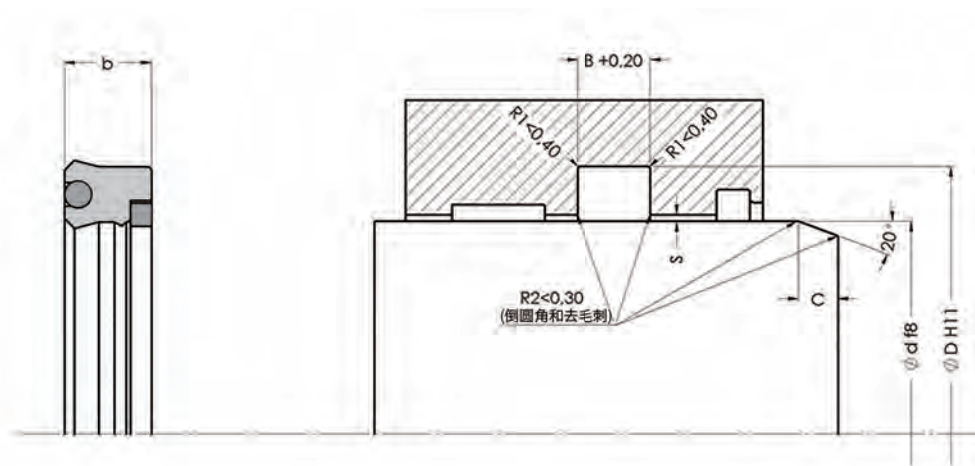
表面粗糙度 / Surface Roughness

	Ra	Rmax
动态表面 / Dynamic Surface	≤0.4 μm	≤3.2 μm
槽底部 / Groove Base	≤1.6 μm	≤10 μm
槽侧面 / Groove Flanks	≤3.2 μm	≤16 μm

材料最大许允间隙 / Permissible Gap (s max.)

	压力值 (巴) / Pressure (bar)			
	150	250	400	600
S max (mm)	1	0,8	0,6	0,4

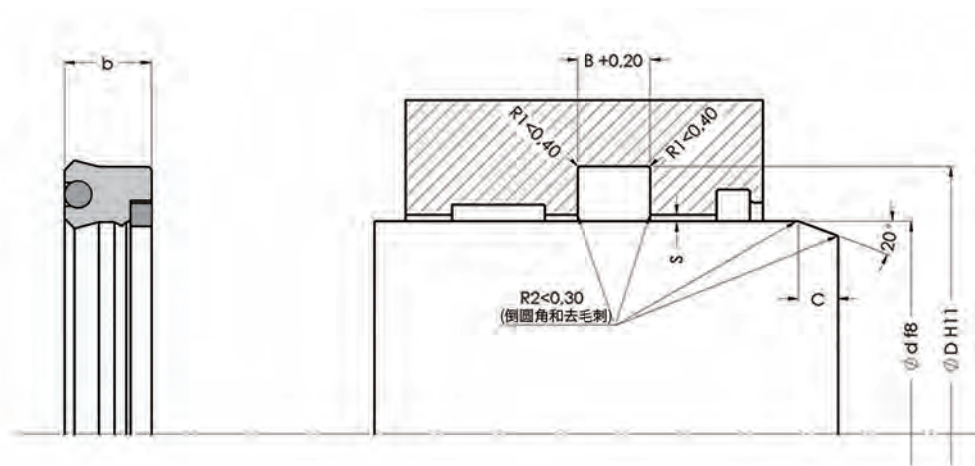




ALP 码 - Code	尺寸- Dimension	Ød	ØD	b	B	C
A152-020	20X28X5,3	20	28	5,3	6,3	3
A152-022/1	22X30X5,3	22	30	5,3	6,3	3
A152-022	22X30X7	22	30	7	8	3
A152-025	25X33X5,3	25	33	5,3	6,3	3
A152-028	28X38X7	28	38	7	8	4
A152-031	31,75X38,10X6,35	31,75	38,1	6,35	7,35	3
A152-032	32X42X7	32	42	7	8	4
A152-035	35X50X9,5	35	50	9,5	10,5	5
A152-036	36X46X7	36	46	7	8	4,5
A152-037	37X47X8	37	47	8	9	4
A152-038	38,1X47,625X6,35	38,1	47,625	6,35	7,35	4
A152-040/1	40X50X7,3	40	50	7,3	8,3	4
A152-040/3	40X50X10	40	50	10	11	4
A152-040	40X55X9,5	40	55	9,5	10,5	5
A152-040/2	40X55X11,4	40	55	11,4	12,4	5
A152-044	44,45X57,15X9,52	44,45	57,15	9,52	10,52	4,5
A152-044/1	44,45X60,32X9,52	44,45	60,32	9,52	10,52	5,5
A152-045/1	45X55X7	45	55	7	8	4
A152-045/2	45X55X10	45	55	10	11	4
A152-045/3	45X57X12	45	57	12	13	4,5
A152-045	45X60X11,4	45	60	11,4	12,4	5
A152-046	46X56X10	46	56	10	11	4
A152-050/4	50X60X7,3	50	60	7,3	8,3	4
A152-050	50X65X11,4	50	65	11,4	12,4	5
A152-050/3	50X70X10	50	70	10	11	6
A152-050/1	50,8X60,32X9,52	50,8	60,32	9,52	10,52	4
A152-050/2	50,8X63,5X9,525	50,8	63,5	9,525	10,525	4,5
A152-052	52X62X10	52	62	10	11	4
A152-055/2	55X65X12	55	65	12	13	4
A152-055/3	55X68X12	55	68	12	13	4,5
A152-055/1	55X68X13	55	68	13	14	4,5
A152-055	55X70X11,4	55	70	11,4	12,4	5
A152-056	56X71X11,5	56	71	11,5	12,5	5
A152-057	57,15X69,85X9,52	57,15	69,85	9,52	10,52	4,5
A152-060/1	60X73X13	60	73	13	14	4,5
A152-060/2	60X75X7,5	60	75	7,5	8,5	5
A152-060	60X75X11,4	60	75	11,4	12,4	5
A152-063/2	63X75X8,7	63	75	8,7	9,7	4,5
A152-063/1	63X78X11,5	63	78	11,5	12,5	5

A152





ALP 码 - Code	尺寸- Dimension	Ød	ØD	b	B	C
A152-063	63,5X76,2X9,52	63,5	76,2	9,52	10,52	4,5
A152-065	65X78X10	65	78	10	11	4,5
A152-065/1	65X80X9	65	80	9	10	5
A152-065/2	65X80X11,5	65	80	11,5	12,5	5
A152-068	68X78X12	68	78	12	13	4
A152-070/3	70X80X12	70	80	12	13	4
A152-070/6	70X82X12	70	82	12	13	4,5
A152-070/1	70X83X10	70	83	10	11	4,5
A152-070/2	70X85X9	70	85	9	10	5
A152-070	70X85X11,4	70	85	11,4	12,4	5
A152-070/5	70X85X12	70	85	12	13	5
A152-070/4	70X88X10	70	88	10	11	5,5
A152-075	75X88X10	75	88	10	11	4,5
A152-075/1	75X90X9	75	90	9	10	5
A152-075/2	75X90X10	75	90	10	11	5
A152-075/5	75X90X11,5	75	90	11,5	12,5	5
A152-075/3	75X90X12	75	90	12	13	5
A152-075/4	75X95X12	75	95	12	13	6
A152-076/2	76,2X88,9X9,52	76,2	88,9	9,52	10,52	4,5
A152-076	76,2X92,7X12,7	76,2	92,7	12,7	13,7	5,5
A152-080/1	80X93X10	80	93	10	11	4,5
A152-080/2	80X95X9	80	95	9	10	5
A152-080	80X95X11,4	80	95	11,4	12,4	5
A152-080/3	80X95X12	80	95	12	13	5
A152-082	82,55X95,25X9,52	82,55	95,25	9,52	10,52	4,5
A152-085	85X100X10	85	100	10	11	5
A152-085/3	85X100X11,5	85	100	11,5	12,5	5
A152-085/2	85X100X12	85	100	12	13	5
A152-085/1	85X105X15	85	105	15	16	6
A152-088	88,9X101,6X9,52	88,9	101,6	9,52	10,52	4,5
A152-090/1	90X105X10	90	105	10	11	5
A152-090	90X105X11,4	90	105	11,4	12,4	5
A152-090/3	90X110X14,5	90	110	14,5	15,5	6
A152-090/2	90X110X17	90	110	17	18	6
A152-095	95X110X10	95	110	10	11	5
A152-095/4	95X110X11,5	95	110	11,5	12,5	5
A152-095/3	95X110X12	95	110	12	13	5
A152-095/2	95X115X13,5	95	115	13,5	14,5	6
A152-095/1	95X115X15	95	115	15	16	6

A152



A153

A153 型U形杆密封的内密封唇比外密封唇短,只活用于杆的密封。

由于A153 的第二个动密封唇的设计,使得用它可以维持较薄的油膜厚度。同时可以防止有害的颗粒物进入液压缸内。POM 支撑环具有高度的抗挤出特性。

A153 U-ring rod nutings, that have shorter inner sealing lips, are produced for only rod applications.

They leave lower oil film thickness due to the their second dynamic sealing lip. At the same time, they prevent the entry of unfavourable particles into the cylinder.

POM back up rings offer high resistance to extrusion.

技术参数 / TECHNICAL DATA

工作压力 / Working Pressure	400 Bar
工作温度 / Working Temperature	-40 +100°C
滑动速度 / Sliding Speed	0.5 m/sn
材料 / Material	92 PU + POM
介质 / Media	矿物基液压油 / Mineral Base Hydraulic Oil

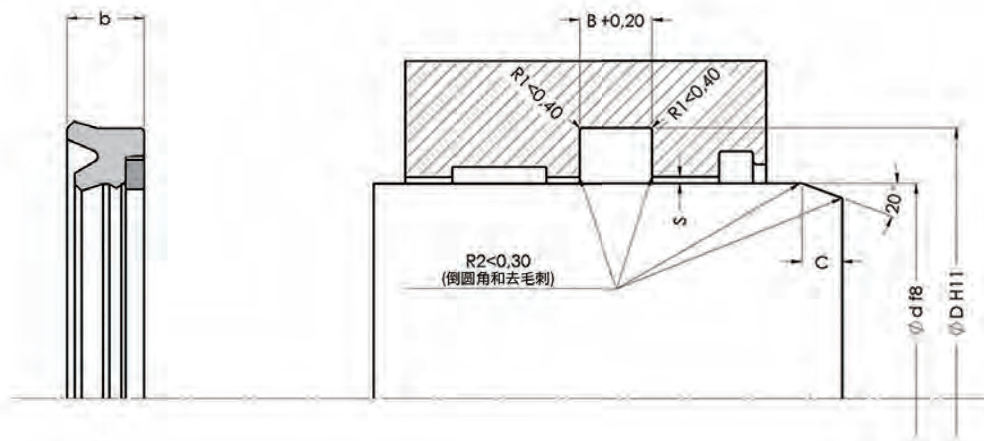
表面粗糙度 / Surface Roughness

	Ra	Rmax
动态表面 / Dynamic Surface	≤0.4 μm	≤3 μm
槽底部 / Groove Base	≤1.6 μm	≤10 μm
槽侧面 / Groove Flanks	≤3.2 μm	≤16 μm

PU 材料最大许允间隙 / Permissible Gap (max.) for PU

	压力值 (巴) / Pressure (bar)		
	150	250	400
S max (mm)	1.0	0.8	0.6





ALP 码 - Code	尺寸 - Dimension	Ød	ØD	b	B	C
A153-022	22X30X6	22	30	6	7	4
A153-025	25X35X5	25	35	5	6	4
A153-028/1	28X35,5X5	28	35,5	5	6	4
A153-028	28X38X6	28	38	6	7	4
A153-030	30X40X8	30	40	8	9	4
A153-032	32X45X9,5	32	45	9,5	10,5	6
A153-035/2	35X44X5,5	35	44	5,5	6,5	4
A153-035/1	35X45X7	35	45	7	8	4
A153-035	35X45X8	35	45	8	9	4
A153-036/1	36X44X5,5	36	44	5,5	6,5	4
A153-036	36X46X8	36	46	8	9	4
A153-040	40X50X10	40	50	10	11	4
A153-040/2	40X52X10,9	40	52	10,9	11,9	6
A153-040/1	40X52X12	40	52	12	13	6
A153-045/1	45X55X7	45	55	7	8	4
A153-045	45X55X10	45	55	10	11	4
A153-050	50X60X10	50	60	10	11	4
A153-050/1	50X62X8	50	62	8	9	6
A153-052	52X68X10	52	68	10	11	6,5
A153-055	55X65X10	55	65	10	11	4
A153-055/1	55X65X12	55	65	12	13	4
A153-056	56X71X10	56	71	10	11	6,5
A153-060/2	60X68X13,5	60	68	13,5	14,5	4
A153-060	60X70X10	60	70	10	11	4
A153-060/1	60X75X12	60	75	12	13	6,5
A153-063	63X75X8	63	75	8	9	6
A153-063/2	63X75X8,5	63	75	8,5	9,5	6
A153-063/1	63X75X9	63	75	9	10	6
A153-063/3	63X78X10	63	78	10	11	6,5
A153-065	65X80X12	65	80	12	13	6,5
A153-070	70X80X10	70	80	10	11	4
A153-070/1	70X82X12	70	82	12	13	6
A153-070/2	70X85X11,5	70	85	11,5	12,5	6,5
A153-075	75X85X12	75	85	12	13	4
A153-078	78X86X13,5	78	86	13,5	14,5	4
A153-080	80X90X12	80	90	12	13	4
A153-080/1	80X92X11	80	92	11	12	6
A153-080/2	80X95X11,4	80	95	11,4	12,4	6,5
A153-085	85X100X12	85	100	12	13	6,5

A153





A154

A154 型U形杆密封的内密封唇比外密封唇短,只活用于杆的密封。

由于A154 的第二个动密封唇的设计,使得用它可以维持较薄的油膜厚度。同时可以防止有害的颗粒物进入液压缸内。

A154 U-ring rod nutrings, that have shorter inner sealing lips, are produced for only rod applications.

They ensure lower oil film thickness due to the their second dynamic sealing lip. At the same time, they prevent the entry of unfavourable particles into the cylinder.

技术参数 / TECHNICAL DATA

工作压力 / Working Pressure	400 Bar
工作温度 / Working Temperature	-40 +100°C
滑动速度 / Sliding Speed	0.5 m/sn
材料 / Material	92 PU
介质 / Media	矿物基液压油 / Mineral Base Hydraulic Oil

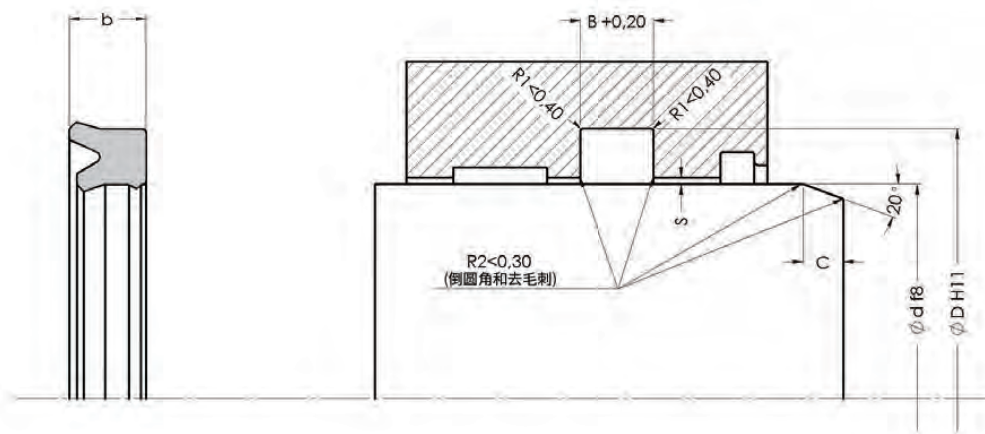
表面粗糙度 / Surface Roughness

	Ra	Rmax
动态表面 / Dynamic Surface	≤0.4 μm	≤3 μm
槽底部 / Groove Base	≤1.6 μm	≤10 μm
槽侧面 / Groove Flanks	≤3.2 μm	≤16 μm

材料最大许允间隙 / Permissible Gap (s max.)

横截面 / Cross Section	压力值 (巴) / Pressure (bar)		
	150	250	400
≤5	0.3	0.2	0.15
>5	0.35	0.25	0.2

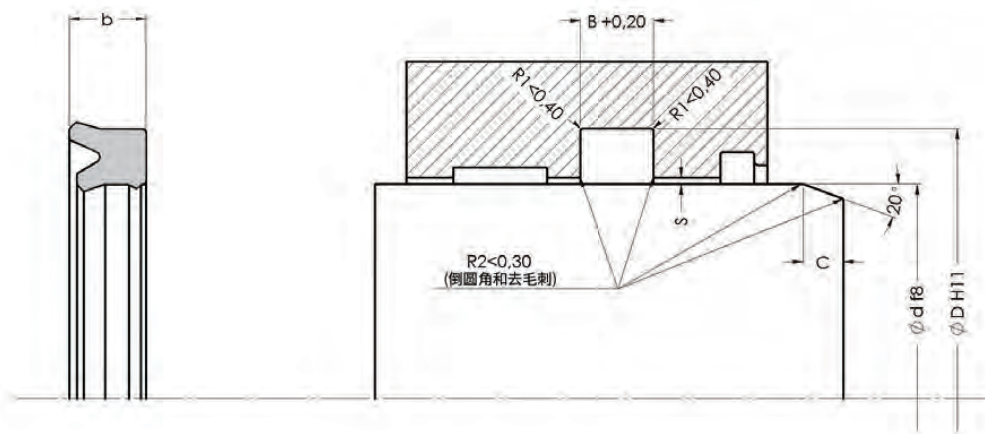




ALP 码 - Code	尺寸 - Dimension	Ød	ØD	b	B	C
A154-006	6X14X5,8	6	14	5,8	6,8	4
A154-010	10X18X5,8	10	18	5,8	6,8	4
A154-010/1	10X22X7	10	22	7	8	5
A154-012	12X20X6,5	12	20	6,5	7,5	4
A154-012/1	12X22X7	12	22	7	8	4,5
A154-014	14X22X5,8	14	22	5,8	6,8	4
A154-015	15,4X25,5X7,4	15,4	25,5	7,4	8,4	4,5
A154-016/1	16X22X4,5	16	22	4,5	5	4
A154-016	16X24X5,8	16	24	5,8	6,8	4
A154-016/2	16X24X6,3	16	24	6,3	7,3	4
A154-016/3	16X26X7,3	16	26	7,3	8,3	4,5
A154-018/2	18X24X5	18	24	5	6	4
A154-018/5	18X25X5	18	25	5	6	4
A154-018/6	18X26X5	18	26	5	6	4
A154-018/3	18X26X5,8	18	26	5,8	6,8	4
A154-018/1	18X26X6	18	26	6	7	4
A154-018	18X26X6,3	18	26	6,3	7,3	4
A154-018/4	18X28X7,3	18	28	7,3	8,3	4,5
A154-019	19,05X25,4X6,35	19,05	25,4	6,35	7,35	4
A154-020/6	20X26X5	20	26	5	6	4
A154-020/3	20X26X5,5	20	26	5,5	6,5	4
A154-020/5	20X28X5	20	28	5	6	4
A154-020/1	20X28X6	20	28	6	7	4
A154-020	20X30X6	20	30	6	7	4,5
A154-020/4	20X30X8	20	30	8	9	4,5
A154-020/2	20X30X10	20	30	10	11	4,5
A154-022/4	22X30X5,8	22	30	5,8	6,8	4
A154-022/5	22X30X6	22	30	6	7	4
A154-022/1	22X30X8	22	30	8	9	4
A154-022	22X32X6	22	32	6	7	4,5
A154-022/3	22X32X7,3	22	32	7,3	8,3	4,5
A154-022/2	22X32X8	22	32	8	9	4,5
A154-022/7	22,4X30X5	22,4	30	5	6	4
A154-022/6	22,4X30X5,7	22,4	30	5,7	6,7	4
A154-025/4	25X33X5	25	33	5	6	4
A154-025/8	25X33X5,5	25	33	5,5	6,5	4
A154-025/12	25X33X5,8	25	33	5,8	6,8	4
A154-025/1	25X33X6	25	33	6	7	4
A154-025/3	25X33X6,5	25	33	6,5	7,5	4

A154





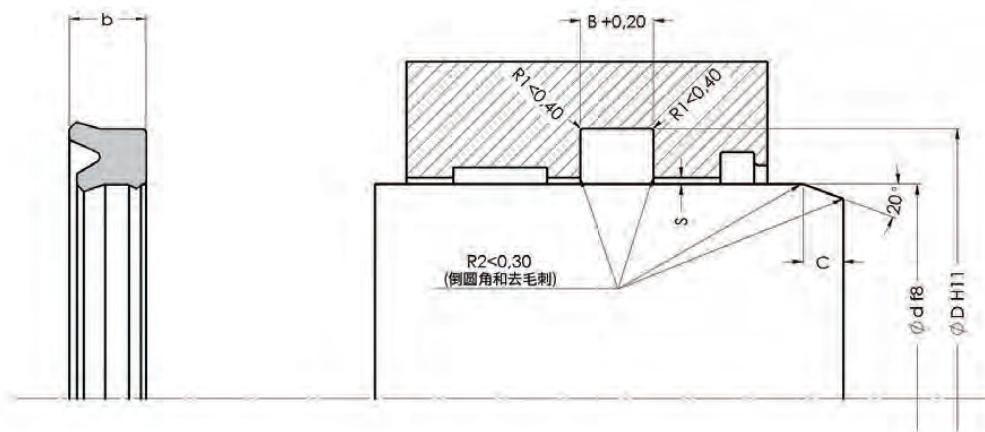
ALP 码 - Code	尺寸 - Dimension	Ød	ØD	b	B	C
A154-025/10	25X33X7,3	25	33	7,3	8,3	4
A154-025/6	25X33X8	25	33	8	9	4
A154-025/13	25X33X10	25	33	10	11	4
A154-025	25X35X6	25	35	6	7	4,5
A154-025/2	25X35X7	25	35	7	8	4,5
A154-025/14	25X35X7,3	25	35	7,3	8,3	4,5
A154-025/9	25X35X8	25	35	8	9	4,5
A154-025/11	25X35X10	25	35	10	11	4,5
A154-025/5	25,4X31,8X8	25,4	31,8	8	9	4
A154-025/7	25,4X38,1X6,35	25,4	38,1	6,35	7,35	5
A154-028/7	28X35,5X5	28	35,5	5	6	4
A154-028/3	28X36X5,8	28	36	5,8	6,8	4
A154-028	28X36X6	28	36	6	7	4
A154-028/1	28X38X6	28	38	6	7	4,5
A154-028/5	28X38X7	28	38	7	8	4,5
A154-028/6	28X38X7,3	28	38	7,3	8,3	4,5
A154-028/4	28X38X8	28	38	8	9	4,5
A154-028/2	28X38X10	28	38	10	11	4,5
A154-030/3	30X38X6	30	38	6	7	4
A154-030/6	30X38X7	30	38	7	8	4
A154-030/5	30X40X6	30	40	6	7	4,5
A154-030/1	30X40X7	30	40	7	8	4,5
A154-030/8	30X40X7,3	30	40	7,3	8,3	4,5
A154-030	30X40X8	30	40	8	9	4,5
A154-030/2	30X40X10	30	40	10	11	4,5
A154-030/7	30X42X10	30	42	10	11	5
A154-030/4	30X45X10	30	45	10	11	5,5
A154-031	31,75X44,45X6,35	31,75	44,45	6,35	7,35	5
A154-032/2	32X40X5,5	32	40	5,5	6,5	4
A154-032/7	32X40X6	32	40	6	7	4
A154-032	32X40X7	32	40	7	8	4
A154-032/5	32X40X8	32	40	8	9	4
A154-032/4	32X42X6	32	42	6	7	4,5
A154-032/3	32X42X7,3	32	42	7,3	8,3	4,5
A154-032/1	32X42X10	32	42	10	11	4,5
A154-032/6	32X45X11	32	45	11	12	5
A154-035/6	35X42X7	35	42	7	8	4
A154-035/8	35X43X5,7	35	43	5,7	6,7	4
A154-035/5	35X43X8	35	43	8	9	4

A154

ALP 码 - Code	尺寸 - Dimension	Ød	ØD	b	B	C
A154-035/7	35X45X6	35	45	6	7	4,5
A154-035/3	35X45X7	35	45	7	8	4,5
A154-035/4	35X45X7,3	35	45	7,3	8,3	4,5
A154-035	35X45X8	35	45	8	9	4,5
A154-035/2	35X45X10	35	45	10	11	4,5
A154-035/1	35X50X10	35	50	10	11	5,5
A154-036/5	36X44X5,8	36	44	5,8	6,8	4
A154-036/4	36X44X7,8	36	44	7,8	8,8	4
A154-036/3	36X46X7	36	46	7	8	4,5
A154-036/1	36X46X7,3	36	46	7,3	8,3	4,5
A154-036	36X46X8	36	46	8	9	4,5
A154-036/2	36X48X7	36	48	7	8	5
A154-038/1	38X48X8	38	48	8	9	4,5
A154-038	38X48X9	38	48	9	10	4,5
A154-038/2	38X55X10	38	55	10	11	6
A154-040/6	40X48X5,7	40	48	5,7	6,7	4
A154-040/7	40X50X6	40	50	6	7	4,5
A154-040/8	40X50X6,5	40	50	6,5	7,5	4,5
A154-040/3	40X50X7	40	50	7	8	4,5
A154-040/5	40X50X7,3	40	50	7,3	8,3	4,5
A154-040/2	40X50X8	40	50	8	9	4,5
A154-040	40X50X10	40	50	10	11	4,5
A154-040/1	40X55X10	40	55	10	11	5,5
A154-040/4	40X60X11,5	40	60	11,5	12,5	6
A154-045/6	45X55X6	45	55	6	7	4,5
A154-045/2	45X55X7	45	55	7	8	4,5
A154-045/5	45X55X7,3	45	55	7,3	8,3	4,5
A154-045/4	45X55X8	45	55	8	9	4,5
A154-045	45X55X10	45	55	10	11	4,5
A154-045/3	45X55X11	45	55	11	12	4,5
A154-045/1	45X60X10	45	60	10	11	5,5
A154-045/7	45X60X11,4	45	60	11,4	12,4	5,5
A154-050/6	50X58X8	50	58	8	9	4
A154-050/2	50X58X11	50	58	11	12	4
A154-050/14	50X60X6	50	60	6	7	4,5
A154-050/5	50X60X7	50	60	7	8	4,5
A154-050/8	50X60X7,3	50	60	7,3	8,3	4,5
A154-050/13	50X60X7,5	50	60	7,5	8,5	4,5
A154-050/7	50X60X8	50	60	8	9	4,5
A154-050	50X60X10	50	60	10	11	4,5
A154-050/3	50X60X11	50	60	11	12	4,5
A154-050/11	50X60X12	50	60	12	13	4,5
A154-050/12	50X63X9	50	63	9	10	5
A154-050/9	50X63X10	50	63	10	11	5
A154-050/1	50X65X10	50	65	10	11	5,5
A154-050/4	50X65X11,5	50	65	11,5	12,5	5,5
A154-050/10	50X65,7X10	50	65,7	10	11	5,5
A154-053	53X63X7,3	53	63	7,3	8,3	4,5
A154-055/3	55X63X11,5	55	63	11,5	12,5	4
A154-055/8	55X65X6	55	65	6	7	4,5
A154-055/9	55X65X6,5	55	65	6,5	7,5	4,5
A154-055/1	55X65X7	55	65	7	8	4,5
A154-055/7	55X65X9	55	65	9	10	4,5
A154-055	55X65X10	55	65	10	11	4,5

A154





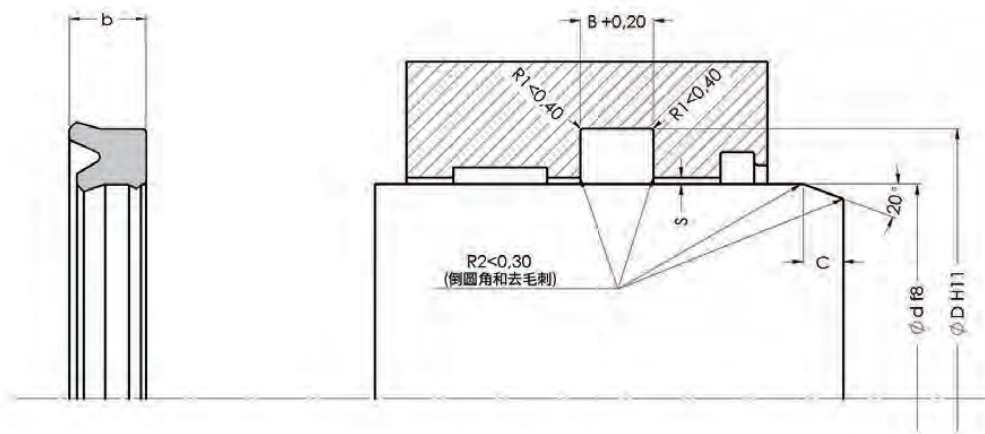
ALP 码 - Code	尺寸 - Dimension	Ød	ØD	b	B	C
A154-055/2	55X65X12	55	65	12	13	4,5
A154-055/5	55X68X10	55	68	10	11	5
A154-055/6	55X70X9	55	70	9	10	5,5
A154-055/4	55X75X12	55	75	12	13	6
A154-056/3	56X66X6	56	66	6	7	4,5
A154-056/2	56X66X10	56	66	10	11	4,5
A154-056	56X71X10	56	71	10	11	5,5
A154-056/1	56X71X11,4	56	71	11,4	12,4	5,5
A154-060/6	60X68X11,5	60	68	11,5	12,5	4
A154-060/10	60X70X6	60	70	6	7	4,5
A154-060/9	60X70X7	60	70	7	8	4,5
A154-060/8	60X70X7,5	60	70	7,5	8,5	4,5
A154-060/1	60X70X10	60	70	10	11	4,5
A154-060/3	60X70X11,5	60	70	11,5	12,5	4,5
A154-060/5	60X72X9	60	72	9	10	5
A154-060/7	60X73X10	60	73	10	11	5
A154-060/4	60X75X10	60	75	10	11	5,5
A154-060/2	60X75X12	60	75	12	13	5,5
A154-060	60X80X12	60	80	12	13	6
A154-060/11	60,32X73,02X9,52	60,32	73,02	9,52	10,52	5
A154-063	63X73X11,5	63	73	11,5	12,5	4,5
A154-063/4	63X75X10	63	75	10	11	5
A154-063/3	63X78X10	63	78	10	11	5,5
A154-063/1	63X78X11	63	78	11	12	5,5
A154-063/2	63X78X11,4	63	78	11,4	12,4	5,5
A154-065/1	65X73X8	65	73	8	9	4
A154-065/2	65X73X11,5	65	73	11,5	12,5	4
A154-065/8	65X75X6	65	75	6	7	4,5
A154-065/9	65X75X7	65	75	7	8	4,5
A154-065	65X75X10	65	75	10	11	4,5
A154-065/3	65X75X12	65	75	12	13	4,5
A154-065/6	65X78X10	65	78	10	11	5
A154-065/5	65X80X9	65	80	9	10	5,5
A154-065/7	65X80X10	65	80	10	11	5,5
A154-065/4	65X80X11,5	65	80	11,5	12,5	5,5
A154-068	68X78X12	68	78	12	13	4,5
A154-069	69,85X82,55X9,52	69,85	82,55	9,52	10,52	5
A154-070/3	70X78X8	70	78	8	9	4
A154-070/1	70X78X11,5	70	78	11,5	12,5	4

A154

ALP 码 - Code	尺寸 - Dimension	Ød	ØD	b	B	C
A154-070/9	70X80X6	70	80	6	7	4,5
A154-070/8	70X80X10	70	80	10	11	4,5
A154-070	70X80X12	70	80	12	13	4,5
A154-070/6	70X83X10	70	83	10	11	5
A154-070/5	70X85X9	70	85	9	10	5,5
A154-070/4	70X85X11,5	70	85	11,5	12,5	5,5
A154-070/2	70X85X12	70	85	12	13	5,5
A154-070/7	70X90X12	70	90	12	13	6
A154-072	72X80X10	72	80	10	11	4
A154-075/3	75X83X11,5	75	83	11,5	12,5	4
A154-075/2	75X83X12	75	83	12	13	4
A154-075/6	75X85X6	75	85	6	7	4,5
A154-075/1	75X85X11,5	75	85	11,5	12,5	4,5
A154-075	75X85X12	75	85	12	13	4,5
A154-075/4	75X88X10	75	88	10	11	5
A154-075/8	75X88X12	75	88	12	13	5
A154-075/5	75X90X9	75	90	9	10	5,5
A154-075/7	75X90X12	75	90	12	13	5,5
A154-080/1	80X88X11	80	88	11	12	4
A154-080/5	80X88X11,5	80	88	11,5	12,5	4
A154-080/7	80X90X6	80	90	6	7	4,5
A154-080	80X90X12	80	90	12	13	4,5
A154-080/8	80X95X9	80	95	9	10	5,5
A154-080/12	80X95X11,4	80	95	11,4	12,4	5,5
A154-080/6	80X95X11,8	80	95	11,8	12,8	5,5
A154-080/2	80X95X12,5	80	95	12,5	13,5	5,5
A154-080/9	80X100X9	80	100	9	10	6
A154-080/4	80X100X12	80	100	12	13	6
A154-080/3	80X100X15	80	100	15	16	6
A154-085/1	85X95X12	85	95	12	13	4,5
A154-085/3	85X100X9	85	100	9	10	5,5
A154-085	85X100X11,5	85	100	11,5	12,5	5,5
A154-085/2	85X100X12	85	100	12	13	5,5
A154-085/4	85X105X10	85	105	10	11	6
A154-085/5	85X105X12	85	105	12	13	6
A154-088	88,5X97X11	88,5	97	11	12	4,5
A154-090/7	90X98X8	90	98	8	9	4
A154-090/8	90X98X11,5	90	98	11,5	12,5	4
A154-090/6	90X98X12	90	98	12	13	4
A154-090/3	90X100X11,5	90	100	11,5	12,5	4,5
A154-090	90X100X12	90	100	12	13	4,5
A154-090/2	90X100X13	90	100	13	14	4,5
A154-090/11	90X105X9	90	105	9	10	5,5
A154-090/12	90X105X10	90	105	10	11	5,5
A154-090/13	90X105X11,4	90	105	11,4	12,4	5,5
A154-090/9	90X105X11,5	90	105	11,5	12,5	5,5
A154-090/1	90X105X12	90	105	12	13	5,5
A154-090/4	90X110X10	90	110	10	11	6
A154-090/10	90X110X12	90	110	12	13	6
A154-090/5	90X110X15	90	110	15	16	6
A154-095/2	95X103X11,5	95	103	11,5	12,5	4
A154-095/1	95X103X12	95	103	12	13	4
A154-095	95X105X12	95	105	12	13	4,5
A154-095/5	95X110X9	95	110	9	10	5,5

A154





ALP 码 - Code	尺寸 - Dimension	Ød	ØD	b	B	C
A154-095/4	95X110X10	95	110	10	11	5,5
A154-095/3	95X115X12	95	115	12	13	6
A154-097	97X105X13	97	105	13	14	4
A154-100/3	100X108X11,5	100	108	11,5	12,5	4
A154-100/2	100X110X11,5	100	110	11,5	12,5	4,5
A154-100/1	100X115X9	100	115	9	10	5,5
A154-100/8	100X115X10	100	115	10	11	5,5
A154-100	100X115X12	100	115	12	13	5,5
A154-100/7	100X118X11,5	100	118	11,5	12,5	6
A154-100/4	100X120X12	100	120	12	13	6
A154-100/9	100X120X14,5	100	120	14,5	15,5	6
A154-100/6	100X120X15	100	120	15	16	6
A154-100/5	100X130X12	100	130	12	13	8
A154-105/1	105X115X11,5	105	115	11,5	12,5	4,5
A154-105	105X115X12	105	115	12	13	4,5
A154-105/2	105X120X9	105	120	9	10	5,5
A154-105/4	105X120X10	105	120	10	11	5,5
A154-110/3	110X118X11,5	110	118	11,5	12,5	4
A154-110/5	110X120X10	110	120	10	11	4,5
A154-110/9	110X120X11,5	110	120	11,5	12,5	4,5
A154-110/6	110X120X14	110	120	14	15	4,5
A154-110/7	110X125X9	110	125	9	10	5,5
A154-110/8	110X125X10	110	125	10	11	5,5
A154-110/2	110X125X12	110	125	12	13	5,5
A154-110/4	110X125X15	110	125	15	16	5,5
A154-110/1	110X130X12	110	130	12	13	6
A154-110	110X130X15	110	130	15	16	6
A154-112	112X125X9	112	125	9	10	5
A154-113,5	113,5X121,5X8	113,5	121,5	8	9	4
A154-114	114X124X11	114	124	11	12	4,5
A154-115/1	115X123X12	115	123	12	13	4
A154-115	115X125X12	115	125	12	13	4,5
A154-115/2	115X130X9	115	130	9	10	5,5
A154-115/3	115X130X10	115	130	10	11	5,5
A154-120	120X130X11,5	120	130	11,5	12,5	4,5
A154-120/4	120X135X9	120	135	9	10	5,5
A154-120/2	120X135X15	120	135	15	16	5,5
A154-120/1	120X140X12	120	140	12	13	6
A154-120/3	120X140X15	120	140	15	16	6

A154

ALP 码 - Code	尺寸- Dimension	Ød	ØD	b	B	C
A154-125	125X135X12	125	135	12	13	4,5
A154-125/2	125X140X9	125	140	9	10	5,5
A154-125/1	125X145X15	125	145	15	16	6
A154-128	128X136X12,5	128	136	12,5	13,5	4
A154-129	129X139X14	129	139	14	15	4,5
A154-130/1	130X140X10	130	140	10	11	4,5
A154-130/2	130X145X9	130	145	9	10	5,5
A154-130/4	130X145X10	130	145	10	11	5,5
A154-130/3	130X150X12	130	150	12	13	6
A154-130	130X150X15	130	150	15	16	6
A154-132	132X142X11,5	132	142	11,5	12,5	4,5
A154-135/1	135X143X12	135	143	12	13	4
A154-135	135X145X12	135	145	12	13	4,5
A154-140/2	140X155X9	140	155	9	10	5,5
A154-140/1	140X160X12	140	160	12	13	6
A154-140	140X160X15	140	160	15	16	6
A154-145	145X153X8	145	153	8	9	4
A154-145/3	145X160X9	145	160	9	10	5,5
A154-149	149X159X14	149	159	14	15	4,5
A154-150/1	150X160X10	150	160	10	11	4,5
A154-150/3	150X165X9	150	165	9	10	5,5
A154-150/4	150X170X12	150	170	12	13	6
A154-150/2	150X170X14	150	170	14	15	6
A154-150	150X170X15	150	170	15	16	6
A154-152	152X162X11,5	152	162	11,5	12,5	4,5
A154-155	155X165X12	155	165	12	13	4,5
A154-160	160X170X12	160	170	12	13	4,5
A154-160/3	160X175X9	160	175	9	10	5,5
A154-160/2	160X180X12	160	180	12	13	6
A154-160/1	160X180X15	160	180	15	16	6
A154-165	165X175X12	165	175	12	13	4,5
A154-170/2	170X180X10	170	180	10	11	4,5
A154-170	170X180X12	170	180	12	13	4,5
A154-170/1	170X190X15	170	190	15	16	6
A154-172	172X182X11,5	172	182	11,5	12,5	4,5
A154-175	175X185X12	175	185	12	13	4,5
A154-180/1	180X200X12	180	200	12	13	6
A154-180	180X200X15	180	200	15	16	6
A154-185	185X195X12	185	195	12	13	4,5
A154-190	190X210X15	190	210	15	16	6
A154-192	192X212X12	192	212	12	13	6
A154-200/3	200X210X11,5	200	210	11,5	12,5	4,5
A154-200	200X212X15	200	212	15	16	5
A154-200/2	200X220X12	200	220	12	13	6
A154-200/1	200X220X15	200	220	15	16	6
A154-207	207X217X13,5	207	217	13,5	14,5	4,5
A154-212/1	212X220X13,5	212	220	13,5	14,5	4
A154-212	212X222X12	212	222	12	13	4,5
A154-215/1	215X225X12	215	225	12	13	4,5
A154-215	215X235X12	215	235	12	13	6
A154-220	220X250X18	220	250	18	19	8
A154-240	240X260X15	240	260	15	16	6
A154-252	252X273X10	252	273	10	11	6
A154-258	258X278X15	258	278	15	16	6

A154





A155

A155重型杆密封件是作为V形组合密封的替代品而设计的。

具有特殊的外形结构,由NBR 密封环, TPE支撑环和POM挡环组成。当使用于有冲击压力的系统中时A155杆密封件可提供更好的效果。

A155 heavy duty rod seals are designed as an alternative for packings. Its special profile consist of NBR ring, POM back-up ring and TPE ring.

A155 rod seals offer better results especially in systems in which hydraulic shock pressures occur.

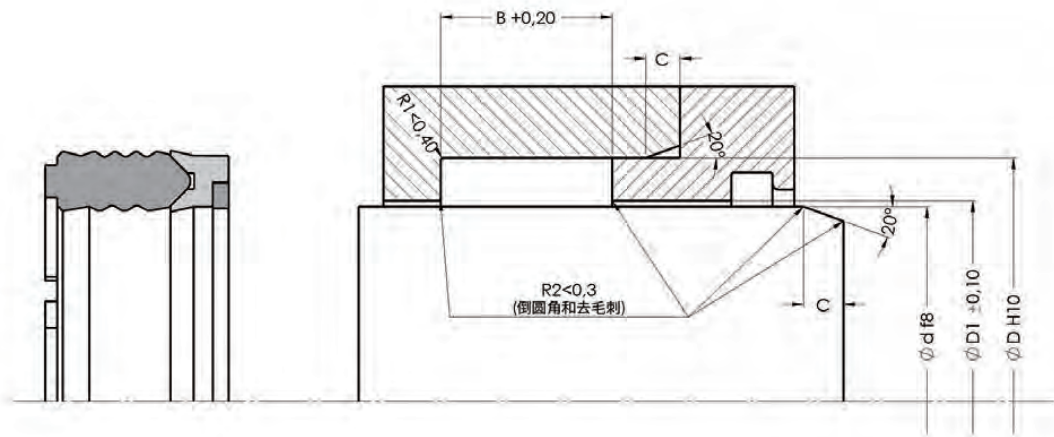
技术参数 / TECHNICAL DATA

工作压力 / Working Pressure	700 Bar
工作温度 / Working Temperature	-30 +105°C
滑动速度 / Sliding Speed	0.5 m/sn
材料 / Material	80 NBR + TPE + POM
介质 / Media	矿物基液压油 / Mineral Base Hydraulic Oil

表面粗糙度 / Surface Roughness

	Ra	Rmax
动态表面 / Dynamic Surface	≤0.4 μm	≤ 3.2 μm
槽底部 / Groove Base	≤1.6 μm	≤ 6.3 μm
槽侧面 / Groove Flanks	≤3.2 μm	≤16 μm





ALP 码 - Code	尺寸 - Dimension	Ød	ØD	B	ØD1	C
A155-035	35X47X22,5	35	47	22,5	35,4	5
A155-040	40X55X22,5	40	55	22,5	40,4	5
A155-045	45X60X22,5	45	60	22,5	45,4	5
A155-050	50X65X22,5	50	65	22,5	50,4	5
A155-055	55X70X22,5	55	70	22,5	55,4	5
A155-060	60X75X22,5	60	75	22,5	60,4	5
A155-070	70X85X22,5	70	85	22,5	70,4	5
A155-080/1	80X95X22,5	80	95	22,5	80,4	5
A155-080	80X100X30	80	100	30	80,4	5
A155-085	85X95X22,5	85	95	22,5	85,4	5
A155-085/1	85X98X25	85	98	25	85,4	5
A155-090	90X110X30	90	110	30	90,4	5
A155-100/1	100X120X29	100	120	29	100,4	5
A155-100	100X120X30	100	120	30	100,4	5
A155-110/1	110X130X30	110	130	30	110,4	5
A155-110	110X130X32,5	110	130	32,5	110,4	5
A155-115/1	115X125X22,5	115	125	22,5	115,7	7
A155-120	120X140X30	120	140	30	120,7	7

A155



A156

具有特殊的外形结构, 由NBR 密封环, TPE支撑环和POM挡环组成。当使用于有冲击压力的系统中时A155杆密封件可提供更好的效果。

当A156型杆密封件的内部径尺寸小于40 毫米时, 推荐使用开式沟槽结构。

A156 rod seals are made up of NBR impregnated on cotton fabric which is initially prepared and moulded with NBR material. They are especially designed for rod applications. POM back-up ring provides a high rate of flow resistance.

A156 seals with inner dimension shorter than 40 mm are recommended to be used accompanied by open housing seal.

技术参数 / TECHNICAL DATA

工作压力 / Working Pressure	400 Bar
工作温度 / Working Temperature	-30 +105°C
滑动速度 / Sliding Speed	0.5 m/sn
材料 / Material	80 NBR+ 橡胶夹织物+POM
介质 / Media	矿物基液压油 / Mineral Base Hydraulic Oil

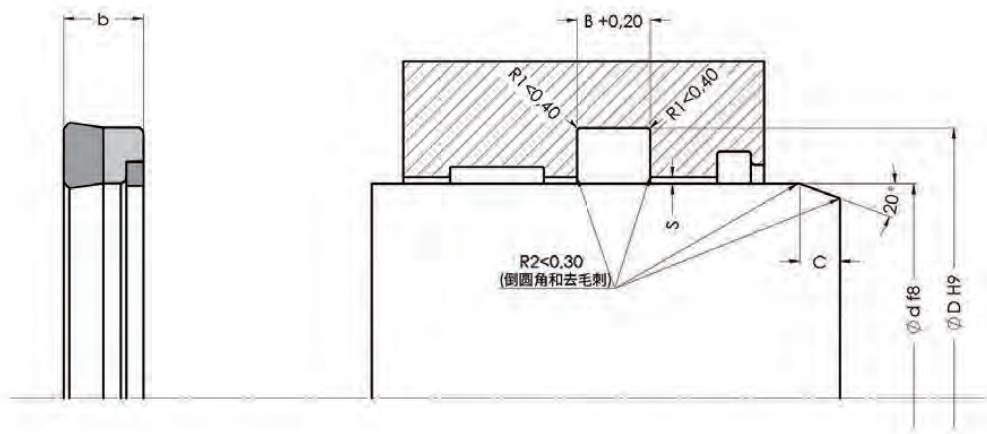
表面粗糙度 / Surface Roughness

	Ra	Rmax
动态表面 / Dynamic Surface	≤0.4 μm	≤ 3.2 μm
槽底部 / Groove Base	≤1.8 μm	≤ 6.3 μm
槽侧面 / Groove Flanks	≤3.2 μm	≤16 μm

材料最大许允间隙 / Permissible Gap (max)

S max (mm)	压力值 (巴) / Pressure (bar)		
	150	250	400
	0.4	0.3	0.2



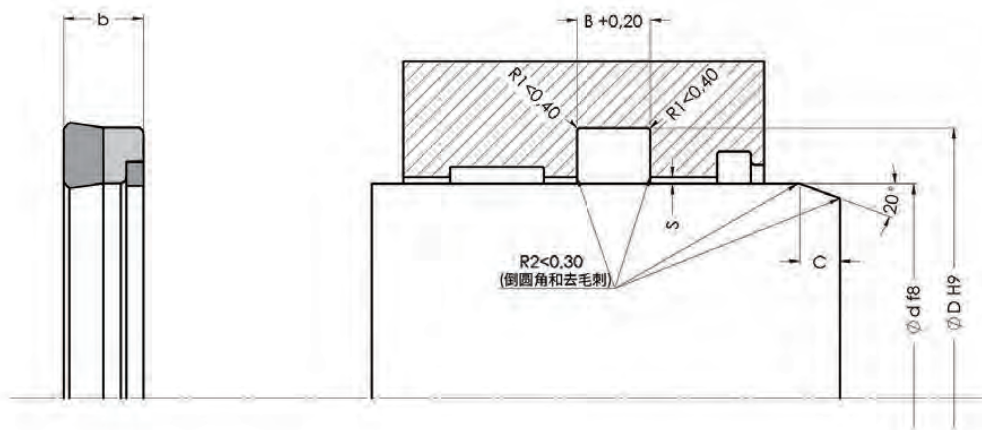


ALP 码 - Code	尺寸- Dimension	Ød	ØD	B	b	C
A156-018/1	18X28X6,3	18	28	6,3	5,67	5
A156-020/1	20X27X6	20	27	6	5,4	5
A156-020/3	20X28X7	20	28	7	6,3	5
A156-020	20X30X8	20	30	8	7,2	5
A156-020/4	20X30X8,5	20	30	8,5	7,65	5
A156-022/2	22X30X7	22	30	7	6,3	5
A156-022/5	22X35X10	22	35	10	9	5
A156-025/1	25X33X6	25	33	6	5,4	5
A156-025/3	25X33X6,4	25	33	6,4	5,76	5
A156-025/2	25X35X8	25	35	8	7,2	5
A156-025/4	25X35X9	25	35	9	8,1	5
A156-025	25X38X9,5	25	38	9,5	8,55	5
A156-025/6	25,4X38,1X10	25,4	38,1	10	9	5
A156-028/2	28X36X6,4	28	36	6,4	5,76	5
A156-028	28X38X8	28	38	8	7,2	5
A156-028/6	28X40X9	28	40	9	8,1	5
A156-028/3	28X40X9,5	28	40	9,5	8,55	5
A156-030/1	30X38X6,5	30	38	6,5	5,85	5
A156-030/2	30X40X7	30	40	7	6,3	5
A156-030/3	30X40X7,5	30	40	7,5	6,75	5
A156-030	30X40X10,5	30	40	10,5	9,45	5
A156-031	31,75X47,62X11,6	31,75	47,62	11,6	10,44	5
A156-032	32X40X9	32	40	9	8,1	5
A156-032/2	32X45X10	32	45	10	9	5
A156-035/4	35X45X7	35	45	7	6,3	5
A156-035/2	35X45X10	35	45	10	9	5
A156-035	35X45X10,5	35	45	10,5	9,45	5
A156-035/3	35X50X11,5	35	50	11,5	10,35	5
A156-036/1	36X44X6,4	36	44	6,4	5,76	5
A156-036/2	36X46X8,5	36	46	8,5	7,65	5
A156-036/4	36X48X9,5	36	48	9,5	8,55	5
A156-038/1	38,1X50,8X10	38,1	50,8	10	9	5
A156-038/3	38,1X50,8X11,68	38,1	50,8	11,68	10,512	5
A156-038/2	38,1X53,97X10,5	38,1	53,97	10,5	9,45	5
A156-040/3	40X48X6,5	40	48	6,5	5,85	5
A156-040/6	40X50X8	40	50	8	7,2	5
A156-040/5	40X50X10	40	50	10	9	5
A156-040	40X50X10,5	40	50	10,5	9,45	5
A156-040/2	40X50X11	40	50	11	9,9	5

A156



全球密封方案



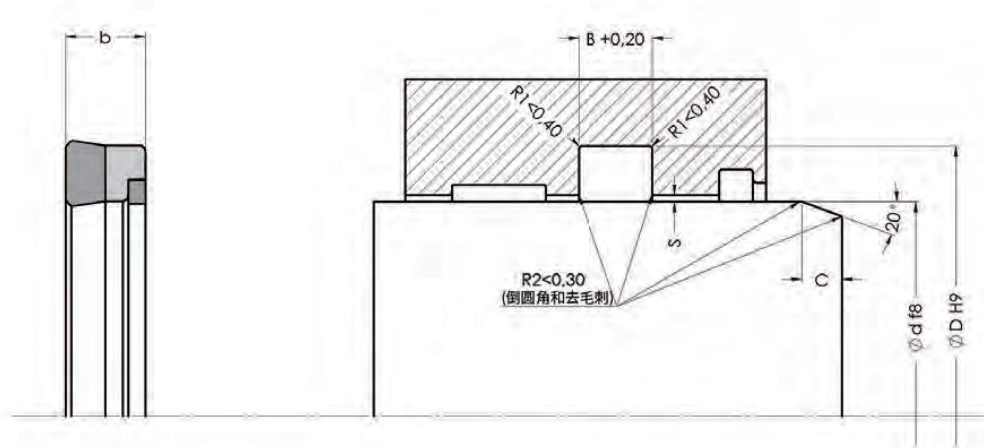
ALP 码 - Code	尺寸- Dimension	Ød	ØD	B	b	C
A156-040/7	40X55X8	40	55	8	7,2	5
A156-040/1	40X55X10,5	40	55	10,5	9,45	5
A156-040/4	40X55X11	40	55	11	9,9	5
A156-040/8	40X60X14,5	40	60	14,5	13,05	5
A156-042	42X52X9	42	52	9	8,1	5
A156-044	44,45X53,97X7,14	44,45	53,97	7,14	6,426	5
A156-044/1	44,45X53,97X7,62	44,45	53,97	7,62	6,858	5
A156-044/2	44,45X60,32X11,6	44,45	60,32	11,6	10,44	5
A156-045/4	45X55X7,5	45	55	7,5	6,75	5
A156-045/3	45X55X8	45	55	8	7,2	5
A156-045	45X55X10,5	45	55	10,5	9,45	5
A156-045/2	45X55X11	45	55	11	9,9	5
A156-045/1	45X60X10,5	45	60	10,5	9,45	5
A156-050/7	50X60X7,5	50	60	7,5	6,75	5
A156-050/8	50X60X8	50	60	8	7,2	5
A156-050/3	50X60X10	50	60	10	9	5
A156-050/2	50X60X10,5	50	60	10,5	9,45	5
A156-050/1	50X62X10	50	62	10	9	5
A156-050	50X65X10,5	50	65	10,5	9,45	5
A156-050/4	50X65X11	50	65	11	9,9	5
A156-050/10	50X70X14	50	70	14	12,6	5
A156-050/9	50X70X14,5	50	70	14,5	13,05	5
A156-050/11	50,8X63,5X9,52	50,8	63,5	9,52	8,568	5
A156-055/4	55X65X8	55	65	8	7,2	5
A156-055	55X65X10,5	55	65	10,5	9,45	5
A156-055/2	55X65X11	55	65	11	9,9	5
A156-055/1	55X65X12	55	65	12	10,8	5
A156-055/5	55X70X10,5	55	70	10,5	9,45	5
A156-055/3	55X75X14	55	75	14	12,6	5
A156-056	56X66X10,5	56	66	10,5	9,45	5
A156-056/1	56X71X10,5	56	71	10,5	9,45	5
A156-057	57,15X69,85X10	57,15	69,85	10	9	5
A156-060/5	60X69,5X7	60	69,5	7	6,3	5
A156-060/7	60X70X8	60	70	8	7,2	5
A156-060	60X70X10,5	60	70	10,5	9,45	5
A156-060/6	60X70X11	60	70	11	9,9	5
A156-060/1	60X70X12,5	60	70	12,5	11,25	5
A156-060/8	60X70X13	60	70	13	11,7	5
A156-060/9	60X72X10	60	72	10	9	5

A156

ALP 码 - Code	尺寸- Dimension	Ød	ØD	B	b	C
A156-060/4	60X75X12,5	60	75	12,5	11,25	5
A156-060/3	60X75X13	60	75	13	11,7	5
A156-060/11	60X80X14,5	60	80	14,5	13,05	5
A156-063/1	63X75X11	63	75	11	9,9	5
A156-063/2	63X78X12,5	63	78	12,5	11,25	5
A156-063/3	63X83X14,5	63	83	14,5	13,05	5
A156-063/5	63,5X76,2X8,5	63,5	76,2	8,5	7,65	5
A156-065/1	65X75X12,5	65	75	12,5	11,25	5
A156-065/2	65X75X13,5	65	75	13,5	12,15	5
A156-065/4	65X80X11,5	65	80	11,5	10,35	5
A156-065	65X80X12,5	65	80	12,5	11,25	5
A156-070/4	70X80X8	70	80	8	7,2	5
A156-070	70X80X12,5	70	80	12,5	11,25	5
A156-070/5	70X80X13	70	80	13	11,7	5
A156-070/7	70X84X12,5	70	84	12,5	11,25	5
A156-070/1	70X85X12	70	85	12	10,8	5
A156-070/2	70X85X12,5	70	85	12,5	11,25	5
A156-070/8	70X90X13	70	90	13	11,7	5
A156-070/3	70X90X14	70	90	14	12,6	5
A156-075/2	75X85X11	75	85	11	9,9	5
A156-075	75X85X12,5	75	85	12,5	11,25	5
A156-075/1	75X90X11	75	90	11	9,9	5
A156-075/3	75X90X11,5	75	90	11,5	10,35	5
A156-075/6	75X95X12,5	75	95	12,5	11,25	5
A156-075/5	75X95X14,5	75	95	14,5	13,05	5
A156-080/2	80X90X12,5	80	90	12,5	11,25	5
A156-080/4	80X93X14,5	80	93	14,5	13,05	5
A156-080/3	80X95X12	80	95	12	10,8	5
A156-080/5	80X96X10,5	80	96	10,5	9,45	5
A156-080/6	80X100X12	80	100	12	10,8	5
A156-080/1	80X100X12,5	80	100	12,5	11,25	5
A156-080	80X100X14	80	100	14	12,6	5
A156-080/7	80X100X14,5	80	100	14,5	13,05	5
A156-085/2	85X100X12	85	100	12	10,8	5
A156-085	85X100X12,5	85	100	12,5	11,25	5
A156-085/3	85X105X14,5	85	105	14,5	13,05	5
A156-090/3	90X100X10,5	90	100	10,5	9,45	5
A156-090/2	90X105X9,5	90	105	9,5	8,55	5
A156-090	90X105X12,5	90	105	12,5	11,25	5
A156-090/1	90X110X12,5	90	110	12,5	11,25	5
A156-095/1	95X112X12	95	112	12	10,8	5
A156-095/2	95X115X14,5	95	115	14,5	13,05	5
A156-100/4	100X115X11,5	100	115	11,5	10,35	7
A156-100	100X115X12,5	100	115	12,5	11,25	7
A156-100/5	100X120X12	100	120	12	10,8	7
A156-100/1	100X120X14	100	120	14	12,6	7
A156-100/6	100X120X14,5	100	120	14,5	13,05	7
A156-105	105X115X11	105	115	11	9,9	7
A156-110/1	110X125X12	110	125	12	10,8	7
A156-110	110X130X12,5	110	130	12,5	11,25	7
A156-120/2	120X135X12,5	120	135	12,5	11,25	7
A156-120/3	120X140X12,5	120	140	12,5	11,25	7
A156-125/2	125X145X16	125	145	16	14,4	7
A156-130	130X145X13	130	145	13	11,7	7

A156





ALP 码 - Code	尺寸 - Dimension	Ød	ØD	B	b	C
A156-130/1	130X145X15	130	145	15	13,5	7
A156-140/1	140X155X13	140	155	13	11,7	7
A156-140	140X160X12	140	160	12	10,8	7
A156-140/3	140X160X12,5	140	160	12,5	11,25	7
A156-140/2	140X160X14,5	140	160	14,5	13,05	7
A156-145	145X157,7X10	145	157,7	10	9	7
A156-160	160X175X16	160	175	16	14,4	7
A156-180	180X200X14,5	180	200	14,5	13,05	7
A156-200	200X220X14,5	200	220	14,5	13,05	10

A156





A157

A157 U型杆密封具有对称的密封唇设计, 同时增设一个动密封唇, 它只活用于杆密封。

在宽广的尺寸范围内, A157 U型密封件均具有高性价比, 它由PU标准材料制成。

A157 U-ring rod nutrings, are produced for only rod applications.

With a wide range of dimension availability, A157 nutrings, which have an impressive price-performance ratio, are produced using standard material PU.

技术参数 / TECHNICAL DATA

工作压力 / Working Pressure	400 Bar
工作温度 / Working Temperature	-40 +100°C
滑动速度 / Sliding Speed	0.5 m/sn
材料 / Material	92 PU
介质 / Media	矿物基液压油 / Mineral Base Hydraulic Oil

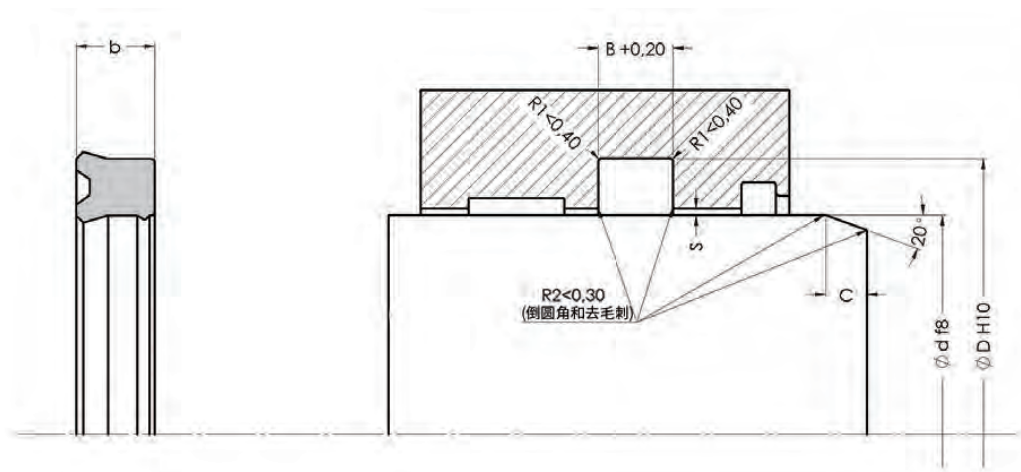
表面粗糙度 / Surface Roughness

	Ra	Rmax
动态表面 / Dynamic Surface	≤0.4 μm	≤3.2 μm
槽底部 / Groove Base	≤1.6 μm	≤10 μm
槽侧面 / Groove Flanks	≤3.2 μm	≤16 μm

PU 材料最大许允间隙 / Permissible Gap (max) for PU

横截面 / Cross Section	压力值 (巴) / Pressure (bar)		
	150	250	400
≤5	0.3	0.2	0.15
>5	0.35	0.25	0.2

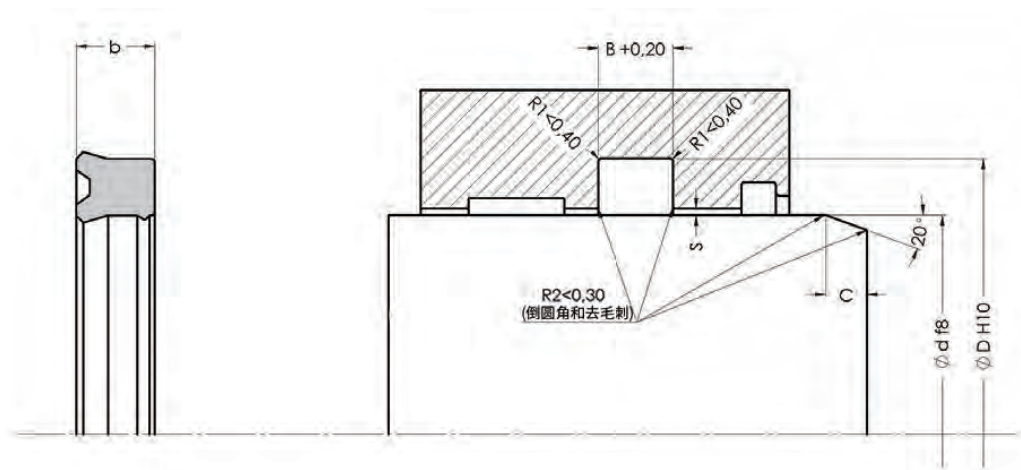




ALP 码 - Code	尺寸 - Dimension	Ød	ØD	b	B	C
A157-006	6X10X4	6	10	4	4,5	3
A157-008	8X16X5,8	8	16	5,8	6,3	4
A157-012/1	12X19X5,7	12	19	5,7	6,2	3,5
A157-012	12X20X5,8	12	20	5,8	6,3	4
A157-014	14X20X5,7	14	20	5,7	6,2	3
A157-016/1	16X20,9X3,5	16	20,9	3,5	4	3
A157-016	16X22X5	16	22	5	5,5	3
A157-018/1	18X25X5	18	25	5	5,5	3,5
A157-018	18X26X5,8	18	26	5,8	6,3	4
A157-020	20X28X5,8	20	28	5,8	6,3	4
A157-022	22X28X4,5	22	28	4,5	5	3
A157-022/2	22X30X5,8	22	30	5,8	6,3	4
A157-022/1	22X30X7	22	30	7	8	4
A157-024	24,5X30X4,5	24,5	30	4,5	5	3
A157-025	25X33X5,8	25	33	5,8	6,3	4
A157-025/1	25X36X5	25	36	5	5,5	4,5
A157-028	28X36X6	28	36	6	7	4
A157-028/1	28X36X6,3	28	36	6,3	7,3	4
A157-028/2	28X36X8	28	36	8	9	4
A157-030	30X38X5,8	30	38	5,8	6,3	4
A157-030/1	30X38X8	30	38	8	9	4
A157-030/3	30X40X8	30	40	8	9	4,5
A157-030/2	30X40X10	30	40	10	11	4,5
A157-031	31,75X38,1X6,35	31,75	38,1	6,35	7,35	3
A157-032/1	32X40X5,5	32	40	5,5	6	4
A157-032/4	32X40X6	32	40	6	7	4
A157-032	32X40X8	32	40	8	9	4
A157-032/2	32X42X7	32	42	7	8	4,5
A157-032/3	32X42X8	32	42	8	9	4,5
A157-032/5	32X47X10	32	47	10	11	5,5
A157-035	35X43X5,8	35	43	5,8	6,3	4
A157-035/1	35X43X8	35	43	8	9	4
A157-035/2	35X45X5,8	35	45	5,8	6,3	4,5
A157-035/3	35X45X10	35	45	10	11	4,5
A157-036	36X44X5,8	36	44	5,8	6,3	4
A157-038	38X50X8,5	38	50	8,5	9,5	5
A157-040	40X48X5,8	40	48	5,8	6,3	4
A157-040/1	40X48X8	40	48	8	9	4
A157-040/2	40X50X7	40	50	7	8	4,5

A157





ALP 码 - Code	尺寸 - Dimension	Ød	ØD	b	B	C
A157-040/3	40X50X10	40	50	10	11	4,5
A157-042	42X50X6	42	50	6	7	4
A157-042/1	42X52X8	42	52	8	9	4,5
A157-044	44,45X53,97X7,92	44,45	53,97	7,92	8,92	4,5
A157-045/4	45X52X12	45	52	12	13	3,5
A157-045	45X53X5,8	45	53	5,8	6,3	4
A157-045/1	45X53X8	45	53	8	9	4
A157-045/3	45X55X5,8	45	55	5,8	6,3	4,5
A157-045/2	45X55X7	45	55	7	8	4,5
A157-046	46X54X8	46	54	8	9	4
A157-050	50X58X8	50	58	8	9	4
A157-050/1	50X58X9	50	58	9	10	4
A157-050/2	50X60X10	50	60	10	11	4,5
A157-055/1	55X63X8	55	63	8	9	4
A157-055	55X65X8	55	65	8	9	4,5
A157-055/2	55X65X10	55	65	10	11	4,5
A157-056	56X64X8	56	64	8	9	4
A157-056/1	56X66X6,8	56	66	6,8	7,8	4,5
A157-060/4	60X68X6	60	68	6	7	4
A157-060	60X68X8	60	68	8	9	4
A157-060/3	60X70X10	60	70	10	11	4,5
A157-060/1	60X70X11,5	60	70	11,5	12,5	4,5
A157-060/2	60X72X9	60	72	9	10	5
A157-061/1	61X69X6	61	69	6	7	4
A157-063	63,5X73,02X9,52	63,5	73,02	9,52	10,52	4,5
A157-065	65X73X8	65	73	8	9	4
A157-065/2	65X75X12,5	65	75	12,5	13,5	4,5
A157-065/1	65X77X9	65	77	9	10	5
A157-066	66,7X76,2X9,52	66,7	76,2	9,52	10,52	4,5
A157-070	70X78X8	70	78	8	9	4
A157-070/4	70X80X6,5	70	80	6,5	7,5	4,5
A157-070/1	70X82X9	70	82	9	10	5
A157-070/3	70X85X11,5	70	85	11,5	12,5	5,5
A157-070/2	70X85X12	70	85	12	13	5,5
A157-075/2	75X83X6	75	83	6	7	4
A157-075/1	75X83X8	75	83	8	9	4
A157-075	75X85X8	75	85	8	9	4,5
A157-075/3	75X85X10	75	85	10	11	4,5
A157-076/1	76X84X6	76	84	6	7	4

A157



A159

A159杆密封件由高性能PU和NBR O型圈 组成。它们设计用于替代PTFE材料制成的密封件。

较PTFE产品A159的优点如;

在组装过程中不需要特殊的组装设备或圆锥形套筒。

与PTFE密封件相比,具有极高的价格优势。

更高的抗挤压性。

更好的密封性能。

更高的耐压性。

A159 rod seals are composed of a high performance PU and a NBR O-ring.

They are designed as an alternative for seals made of PTFE material.

Advantages over PTFE products ;

-No need of special assembly apparatus or conical sleeves during assembly.

-Compared with PTFE seals, extremely high price advantage.

-Higher extrusion resistance.

-Better sealing behaviour.

-Higher pressure resistance.

技术参数 / TECHNICAL DATA

工作压力 / Working Pressure	500 Bar
工作温度 / Working Temperature	-30 +105°C
滑动速度 / Sliding Speed	0.5 m/sn
材料 / Material	98 PU + 70 NBR
介质 / Media	矿物基液压油 / Mineral Base Hydraulic Oil

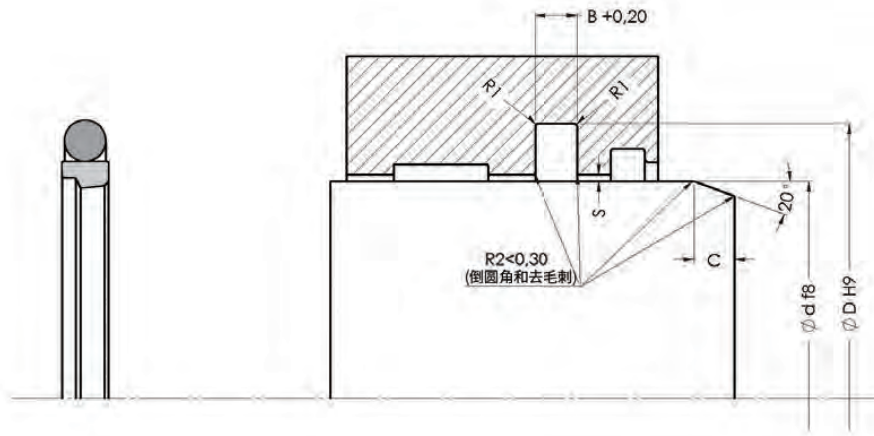
表面粗糙度 / Surface Roughness

	Ra	Rmax
动态表面 / Dynamic Surface	≤0.4 μm	≤ 3.2 μm
槽底部 / Groove Base	≤1.6 μm	≤ 6.3 μm
槽侧面 / Groove Flanks	≤3.2 μm	≤ 16 μm

材料最大许允间隙 / Permissible Gap (s max.)

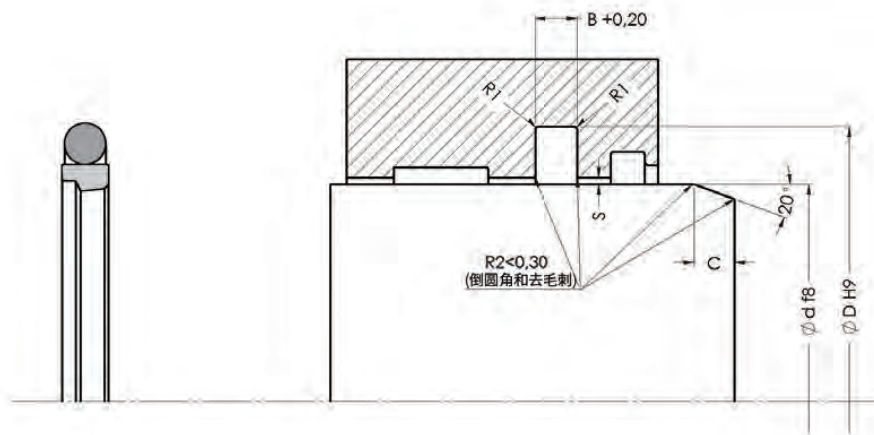
外壳长度 (B) / Housing Length (B)	压力值 (巴) / Pressure (bar)		
	150	250	500
2.2	0.25	0.15	0,1
3.2	0.35	0.2	0,1
4.0	0.35	0.2	0.15
6.3	0.45	0.25	0.15
8.1	0.55	0.30	0.2





ALP 码 - Code	尺寸 - Dimension	Ød	ØD	B	C	R1	PU
A159-020	20X30,7X4,2	20	30,7	4,2	3,5	1	PU
A159-022	22X32,7X4,2	22	32,7	4,2	3,5	1	PU
A159-025	25X35,7X4,2	25	35,7	4,2	3,5	1	PU
A159-028	28X38,7X4,2	28	38,7	4,2	3,5	1	PU
A159-030	30X40,7X4,2	30	40,7	4,2	3,5	1	PU
A159-032	32X42,7X4,2	32	42,7	4,2	3,5	1	PU
A159-035	35X45,7X4,2	35	45,7	4,2	3,5	1	PU
A159-036	36X46,7X4,2	36	46,7	4,2	3,5	1	PU
A159-038	38X48,7X4,2	38	48,7	4,2	3,5	1	PU
A159-040/1	40X50,7X4,2	40	50,7	4,2	3,5	1	PU
A159-040	40X55,1X6,3	40	55,1	6,3	5,5	1,3	PU
A159-042	42X52,7X4,2	42	52,7	4,2	3,5	1	PU
A159-045/1	45X55,7X4,2	45	55,7	4,2	3,5	1	PU
A159-045	45X60,1X6,3	45	60,1	6,3	5,5	1,3	PU
A159-048/1	48X58,7X4,2	48	58,7	4,2	3,5	1	PU
A159-048	48X63,1X6,3	48	63,1	6,3	5,5	1,3	PU
A159-050/1	50X60,7X4,2	50	60,7	4,2	3,5	1	PU
A159-050/2	50X65,1X6,3	50	65,1	6,3	5,5	1,3	PU
A159-050	50X65,5X6,3	50	65,5	6,3	5,5	1,3	PU
A159-055	55X70,1X6,3	55	70,1	6,3	5,5	1,3	PU
A159-056	56X71,1X6,3	56	71,1	6,3	5,5	1,3	PU
A159-056/3	56X71,5X6,3	56	71,5	6,3	5,5	1,3	PU
A159-060	60X75,1X6,3	60	75,1	6,3	5,5	1,3	PU
A159-063	63X78,1X6,3	63	78,1	6,3	5,5	1,3	PU
A159-065	65X80,1X6,3	65	80,1	6,3	5,5	1,3	PU
A159-070	70X85,1X6,3	70	85,1	6,3	5,5	1,3	PU
A159-075	75X90,1X6,3	75	90,1	6,3	5,5	1,3	PU
A159-080	80X95,1X6,3	80	95,1	6,3	5,5	1,3	PU
A159-080/1	80X95,5X6,3	80	95,5	6,3	5,5	1,3	PU
A159-085	85X100,1X6,3	85	100,1	6,3	5,5	1,3	PU
A159-090	90X105,1X6,3	90	105,1	6,3	5,5	1,3	PU
A159-090/2	90X105,5X6,3	90	105,5	6,3	5,5	1,3	PU
A159-095	95X110,1X6,3	95	110,1	6,3	5,5	1,3	PU
A159-095/1	95X115,1X8,1	95	115,1	8,1	7,5	1,8	PU
A159-100	100X115,1X6,3	100	115,1	6,3	5,5	1,3	PU
A159-100/2	100X120X8,1	100	120	8,1	7,5	1,8	PU
A159-105/1	105X120,1X6,3	105	120,1	6,3	5,5	1,3	PU
A159-105	105X125,5X8,1	105	125,5	8,1	7,5	1,8	PU
A159-110	110X125,1X6,3	110	125,1	6,3	5,5	1,3	PU

A159



ALP 码 - Code	尺寸 - Dimension	Ød	ØD	B	C	R1	PU
A159-110/1	110X130,5X8,1	110	130,5	8,1	7,5	1,8	PU
A159-115	115X130,1X6,3	115	130,1	6,3	5,5	1,3	PU
A159-118	118X133,1X6,3	118	133,1	6,3	5,5	1,3	PU
A159-120	120X135,1X6,3	120	135,1	6,3	5,5	1,3	PU
A159-125	125X140,1X6,3	125	140,1	6,3	5,5	1,3	PU
A159-125/2	125X140,5X6,3	125	140,5	6,3	5,5	1,3	PU
A159-125/1	125X145,5X8,1	125	145,5	8,1	7,5	1,8	PU
A159-127/1	127X142,1X6,3	127	142,1	6,3	5,5	1,3	PU
A159-130	130X145,1X6,3	130	145,1	6,3	5,5	1,3	PU
A159-130/1	130X150,5X8,1	130	150,5	8,1	7,5	1,8	PU
A159-135	135X150,1X6,3	135	150,1	6,3	5,5	1,3	PU
A159-138	138X153,1X6,3	138	153,1	6,3	5,5	1,3	PU
A159-140	140X155,1X6,3	140	155,1	6,3	5,5	1,3	PU
A159-140/2	140X155,5X6,3	140	155,5	6,3	5,5	1,3	PU
A159-145	145X160,1X6,3	145	160,1	6,3	5,5	1,3	PU
A159-150	150X165,1X6,3	150	165,1	6,3	5,5	1,3	PU
A159-155	155X170,1X6,3	155	170,1	6,3	5,5	1,3	PU
A159-155/1	155X170,5X6,3	155	170,5	6,3	5,5	1,3	PU
A159-160	160X175,1X6,3	160	175,1	6,3	5,5	1,3	PU
A159-160/1	160X175,5X6,3	160	175,5	6,3	5,5	1,3	PU
A159-165	165X180,1X6,3	165	180,1	6,3	5,5	1,3	PU
A159-170	170X185,1X6,3	170	185,1	6,3	5,5	1,3	PU
A159-170/1	170X190,5X8,1	170	190,5	8,1	7,5	1,8	PU
A159-175	175X190,1X6,3	175	190,1	6,3	5,5	1,3	PU
A159-180	180X195,1X6,3	180	195,1	6,3	5,5	1,3	PU
A159-180/2	180X200,5X8,1	180	200,5	8,1	7,5	1,8	PU
A159-185	185X200,1X6,3	185	200,1	6,3	5,5	1,3	PU
A159-190	190X205,1X6,3	190	205,1	6,3	5,5	1,3	PU
A159-192	192X207,1X6,3	192	207,1	6,3	5,5	1,3	PU
A159-195	195X210,1X6,3	195	210,1	6,3	5,5	1,3	PU
A159-200	200X220,5X8,1	200	220,5	8,1	7,5	1,8	PU
A159-200/1	200X221X8,1	200	221	8,1	7,5	1,8	PU
A159-205	205X225,5X8,1	205	225,5	8,1	7,5	1,8	PU
A159-210	210X230,5X8,1	210	230,5	8,1	7,5	1,8	PU
A159-215	215X235,5X8,1	215	235,5	8,1	7,5	1,8	PU
A159-220	220X240,5X8,1	220	240,5	8,1	7,5	1,8	PU
A159-220/1	220X241X8,1	220	241	8,1	7,5	1,8	PU
A159-225	225X245,5X8,1	225	245,5	8,1	7,5	1,8	PU
A159-230	230X250,5X8,1	230	250,5	8,1	7,5	1,8	PU

A159



全球密封方案



A161

A161杆密封环的内密封唇设计较短,它只能用于杆的活用。

A161 rod nutrings are designed only for rod applications with shorter inner sealing lip.

A161 U形环是特殊PU材料制成的,它可以安全地用于重型应用。

Thanks to endurance grade special PU material, A161 U-ring rod nutrings can be safely used in heavy duty applications.

技术参数 / TECHNICAL DATA

工作压力 / Working Pressure	400 Bar
工作温度 / Working Temperature	-35 +110°C
滑动速度 / Sliding Speed	0.5 m/sn
材料 / Material	95 PU
介质 / Media	矿物基液压油 / Mineral Base Hydraulic Oil

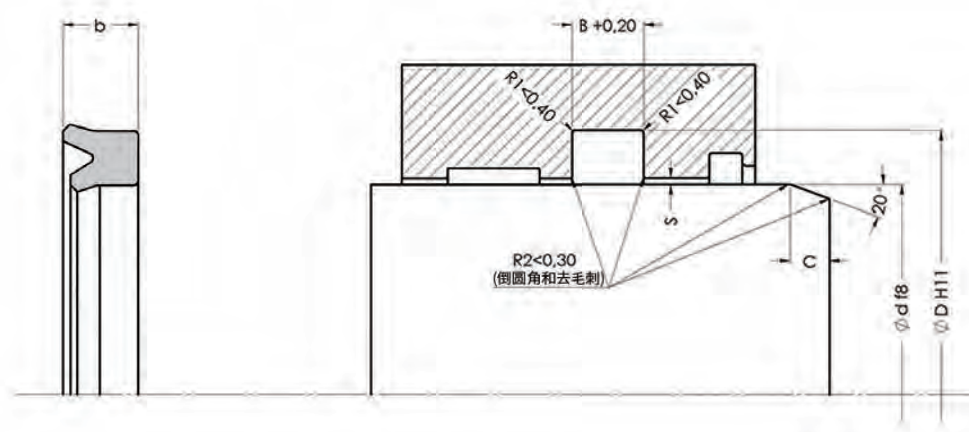
表面粗糙度 / Surface Roughness

	Ra	Rmax
动态表面 / Dynamic Surface	≤0.3 μm	≤3 μm
槽底部 / Groove Base	≤1.8 μm	≤10 μm
槽侧面 / Groove Flanks	≤3.2 μm	≤16 μm

PU 材料最大许允间隙 / Permissible Gap (max.) for PU

横截面 / Cross Section	压力值 (巴) / Pressure (bar)		
	150	250	400
≤5	0.3	0.2	0.15
>5	0.35	0.25	0.2

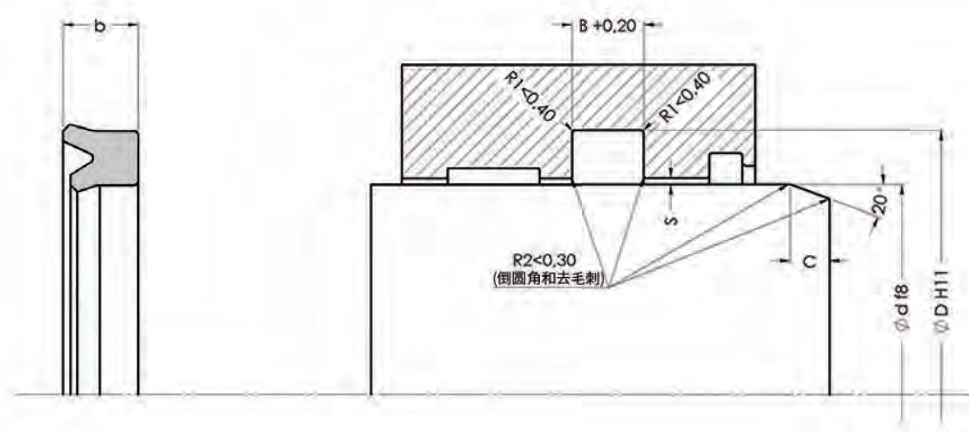




ALP 码 - Code	尺寸- Dimension	Ød	ØD	b	B	C	PU
A161-002	2X5,5X2,6	2	5,5	2,6	3,1	2	PU
A161-004/2	4X8X3	4	8	3	3,5	2	PU
A161-004/1	4X12X4,5	4	12	4,5	5	4	PU
A161-004	4X12X6	4	12	6	7	4	PU
A161-005	5X10X4	5	10	4	4,5	2	PU
A161-006/1	6X12X4	6	12	4	4,5	3	PU
A161-006	6,35X12,7X3,96	6,35	12,7	3,96	4,46	3	PU
A161-008	8X13,2X3,1	8	13,2	3,1	3,6	2	PU
A161-008/3	8X14X4	8	14	4	4,5	3	PU
A161-008/2	8X14X4,5	8	14	4,5	5	3	PU
A161-008/1	8X16X5,5	8	16	5,5	6,5	4	PU
A161-009	9,52X16,5X3,96	9,52	16,5	3,96	4,46	3,5	PU
A161-010/2	10X13,6X2,3	10	13,6	2,3	2,8	2	PU
A161-010/3	10X14X2	10	14	2	2,5	2	PU
A161-010	10X14X4	10	14	4	4,5	2	PU
A161-010/4	10X16X4,5	10	16	4,5	5	3	PU
A161-010/1	10X18X5,5	10	18	5,5	6,5	4	PU
A161-012/1	12X18X4,5	12	18	4,5	5	3	PU
A161-012/2	12X20X5,5	12	20	5,5	6,5	4	PU
A161-012	12X22X7,5	12	22	7,5	8,5	4,5	PU
A161-014	14X18X4	14	18	4	4,5	2	PU
A161-014/3	14X19X3,5	14	19	3,5	4	2	PU
A161-014/1	14X22X5,5	14	22	5,5	6,5	4	PU
A161-014/2	14,28X20,63X4,76	14,28	20,63	4,76	5,76	3	PU
A161-015	15X23X6,3	15	23	6,3	7,3	4	PU
A161-015/1	15,87X22,22X4,76	15,87	22,22	4,76	5,76	3	PU
A161-016/6	16X20,6X3,3	16	20,6	3,3	3,8	3	PU
A161-016/5	16X22X5	16	22	5	6	3	PU
A161-016/4	16X22,5X4,5	16	22,5	4,5	5	3	PU
A161-016/3	16X23X5,5	16	23	5,5	6,5	3,5	PU
A161-016	16X24X5	16	24	5	6	4	PU
A161-016/1	16X24X5,5	16	24	5,5	6,5	4	PU
A161-016/2	16X26X7	16	26	7	8	4,5	PU
A161-018	18X24X5	18	24	5	6	3	PU
A161-018/5	18X25X4,5	18	25	4,5	5	3,5	PU
A161-018/1	18X25X5	18	25	5	6	3,5	PU
A161-018/2	18X25X5,5	18	25	5,5	6,5	3,5	PU
A161-018/3	18X26X4,5	18	26	4,5	5	4	PU
A161-018/6	18X26X5,5	18	26	5,5	6,5	4	PU

A161





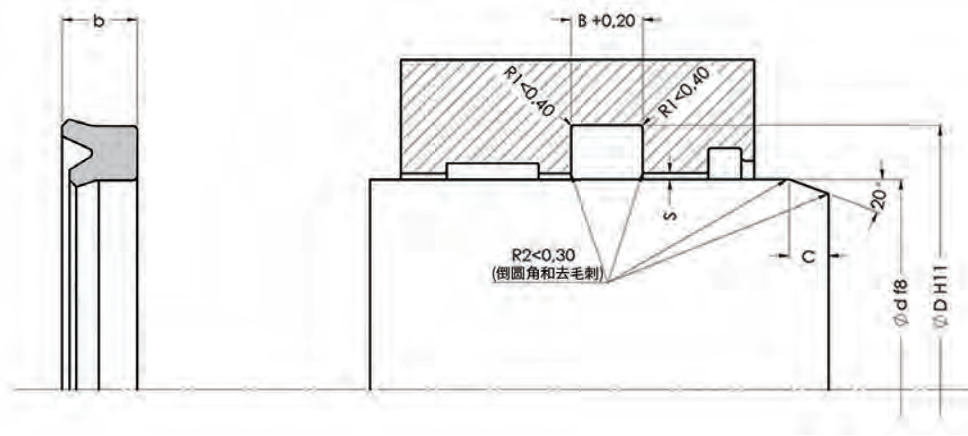
ALP 码 - Code	尺寸- Dimension	Ød	ØD	b	B	C	PU
A161-018/4	18X28X8,2	18	28	8,2	9,2	4,5	PU
A161-019	19,05X25,4X4,76	19,05	25,4	4,76	5,76	3	PU
A161-020/1	20X28X5,5	20	28	5,5	6,5	4	PU
A161-020	20X30X6	20	30	6	7	4,5	PU
A161-020/3	20X30X7	20	30	7	8	4,5	PU
A161-020/2	20X30X8	20	30	8	9	4,5	PU
A161-022/3	22X30X5,7	22	30	5,7	6,7	4	PU
A161-022	22X30X7	22	30	7	8	4	PU
A161-022/1	22X30X8	22	30	8	9	4	PU
A161-022/2	22X32X6	22	32	6	7	4,5	PU
A161-022/4	22,4X30X4,5	22,4	30	4,5	5	4	PU
A161-024/1	24X32X5,5	24	32	5,5	6,5	4	PU
A161-024	24X34X8,5	24	34	8,5	9,5	4,5	PU
A161-025/4	25X32X5,5	25	32	5,5	6,5	3,5	PU
A161-025/3	25X32X6	25	32	6	7	3,5	PU
A161-025/6	25X32X7	25	32	7	8	3,5	PU
A161-025/2	25X33X5,5	25	33	5,5	6,5	4	PU
A161-025/7	25X33X10	25	33	10	11	4	PU
A161-025	25X35X6	25	35	6	7	4,5	PU
A161-025/8	25X35X7	25	35	7	8	4,5	PU
A161-025/1	25X35X8	25	35	8	9	4,5	PU
A161-025/5	25X37X6	25	37	6	7	5	PU
A161-026	26,99X36,51X6,35	26,99	36,51	6,35	7,35	4,5	PU
A161-028/6	28X35,5X5	28	35,5	5	6	4	PU
A161-028/4	28X36X5,5	28	36	5,5	6,5	4	PU
A161-028/3	28X36X5,7	28	36	5,7	6,7	4	PU
A161-028/5	28X36X8	28	36	8	9	4	PU
A161-028	28X38X6	28	38	6	7	4,5	PU
A161-028/1	28X38X7	28	38	7	8	4,5	PU
A161-028/2	28X38X8	28	38	8	9	4,5	PU
A161-030/3	30X38X5,7	30	38	5,7	6,7	4	PU
A161-030/5	30X38X6,3	30	38	6,3	7,3	4	PU
A161-030/4	30X38X8	30	38	8	9	4	PU
A161-030/2	30X40X7	30	40	7	8	4,5	PU
A161-030	30X40X8	30	40	8	9	4,5	PU
A161-030/1	30X42X8,5	30	42	8,5	9,5	5	PU
A161-030/6	30,16X38,1X6,35	30,16	38,1	6,35	7,35	4	PU
A161-032/1	32X40X5,7	32	40	5,7	6,7	4	PU
A161-032/2	32X40X8	32	40	8	9	4	PU

A161

ALP 码 - Code	尺寸 - Dimension	Ød	ØD	b	B	C	PU
A161-032	32X42X7	32	42	7	8	4,5	PU
A161-032/3	32X48X8	32	48	8	9	5,5	PU
A161-034	34X44X7	34	44	7	8	4,5	PU
A161-035/4	35X43X6	35	43	6	7	4	PU
A161-035/3	35X43X8	35	43	8	9	4	PU
A161-035/1	35X45X7	35	45	7	8	4,5	PU
A161-035	35X45X8	35	45	8	9	4,5	PU
A161-035/2	35X45X10	35	45	10	11	4,5	PU
A161-035/5	35,5X45,2X6	35,5	45,2	6	7	4,5	PU
A161-036/3	36X44X5,5	36	44	5,5	6,5	4	PU
A161-036/2	36X44X5,7	36	44	5,7	6,7	4	PU
A161-036/5	36X44X6	36	44	6	7	4	PU
A161-036/4	36X46X7	36	46	7	8	4,5	PU
A161-036	36X46X8	36	46	8	9	4,5	PU
A161-036/1	36X46X10	36	46	10	11	4,5	PU
A161-037	37X47X8	37	47	8	9	4,5	PU
A161-038	38,1X50,8X9,52	38,1	50,8	9,52	10,52	5	PU
A161-040/5	40X48X5,4	40	48	5,4	6,4	4	PU
A161-040/6	40X48X5,8	40	48	5,8	6,8	4	PU
A161-040/2	40X48X8	40	48	8	9	4	PU
A161-040/3	40X50X7	40	50	7	8	4,5	PU
A161-040/1	40X50X8	40	50	8	9	4,5	PU
A161-040	40X50X10	40	50	10	11	4,5	PU
A161-041	41,27X50,8X5,56	41,27	50,8	5,56	6,56	4,5	PU
A161-045/5	45X55X6	45	55	6	7	4,5	PU
A161-045/1	45X55X7	45	55	7	8	4,5	PU
A161-045/4	45X55X7,3	45	55	7,3	8,3	4,5	PU
A161-045	45X55X10	45	55	10	11	4,5	PU
A161-045/3	45X60X7	45	60	7	8	5,5	PU
A161-045/2	45X60X9	45	60	9	10	5,5	PU
A161-045/6	45X61X12	45	61	12	13	5,5	PU
A161-045/7	45X62X8	45	62	8	9	5,5	PU
A161-050/2	50X60X7	50	60	7	8	4,5	PU
A161-050	50X60X10	50	60	10	11	4,5	PU
A161-050/3	50X62X8	50	62	8	9	5	PU
A161-050/1	50X65X10	50	65	10	11	5,5	PU
A161-055/1	55X65X7,3	55	65	7,3	8,3	4,5	PU
A161-055	55X65X10	55	65	10	11	4,5	PU
A161-056	56X68X8,5	56	68	8,5	9,5	5	PU
A161-060	60X70X10	60	70	10	11	4,5	PU
A161-060/3	60X70X11	60	70	11	12	4,5	PU
A161-060/1	60X70X12	60	70	12	13	4,5	PU
A161-060/5	60X72X8,5	60	72	8,5	9,5	5	PU
A161-060/4	60X74X8	60	74	8	9	5	PU
A161-060/2	60X75X12	60	75	12	13	5,5	PU
A161-060/6	60X80X12	60	80	12	13	6	PU
A161-063/1	63X73X6,5	63	73	6,5	7,5	4,5	PU
A161-063	63X75X8,5	63	75	8,5	9,5	5	PU
A161-063/3	63X78,1X5,8	63	78,1	5,8	6,8	5,5	PU
A161-063/4	63X83X12	63	83	12	13	6	PU
A161-063/2	63,5X76,2X9,52	63,5	76,2	9,52	10,52	5	PU
A161-065	65X75X10	65	75	10	11	4,5	PU
A161-070	70X80X12	70	80	12	13	4,5	PU
A161-070/3	70X82X8,5	70	82	8,5	9,5	5	PU

A161





ALP 码 - Code	尺寸- Dimension	$\varnothing d$	$\varnothing D$	b	B	C	PU
A161-070/1	70X85X10	70	85	10	11	5,5	PU
A161-070/2	70X85X12	70	85	12	13	5,5	PU
A161-075/1	75X85X7,2	75	85	7,2	8,2	4,5	PU
A161-075	75X85X12	75	85	12	13	4,5	PU
A161-078	78X88X8	78	88	8	9	4,5	PU
A161-080	80X90X12	80	90	12	13	4,5	PU
A161-080/1	80X92X8,5	80	92	8,5	9,5	5	PU
A161-080/2	80X92X9,5	80	92	9,5	10,5	5	PU
A161-085/1	85X95X7	85	95	7	8	4,5	PU
A161-085	85X95X12	85	95	12	13	4,5	PU
A161-085/2	85X100X9	85	100	9	10	5,5	PU
A161-090	90X100X12	90	100	12	13	4,5	PU
A161-090/1	90X102X8,5	90	102	8,5	9,5	5	PU
A161-095	95X105X12	95	105	12	13	4,5	PU
A161-100	100X110X14	100	110	14	15	4,5	PU
A161-100/2	100X115X10	100	115	10	11	5,5	PU
A161-100/1	100X115X12	100	115	12	13	5,5	PU
A161-105	105X120X12	105	120	12	13	5,5	PU
A161-110	110X130X14	110	130	14	15	6	PU
A161-120/1	120X135X9,5	120	135	9,5	10,5	5,5	PU
A161-120	120X140X14,6	120	140	14,6	15,6	6	PU
A161-125	125X145X12	125	145	12	13	6	PU
A161-135	135X145X12	135	145	12	13	4,5	PU
A161-140	140X160X14	140	160	14	15	6	PU
A161-155	155X165X12	155	165	12	13	4,5	PU
A161-160	160X170X12	160	170	12	13	4,5	PU
A161-180	180X200X11,5	180	200	11,5	12,5	6	PU
A161-190	190X210X15	190	210	15	16	6	PU
A161-220	220X240X15	220	240	15	16	6	PU
A161-240	240X260X15	240	260	15	16	6	PU

A161





A162

A162 重型杆密封件具有双重密封唇和 POM 支撑环,可在重型应用中提供完美的密封性能。

NBR O型圈即使在非常低的压力下也能确保最大的密封性能。

A162 U形环是特殊 PU 材料制成的,它可以安全地用于重型应用。

A162 heavy duty rod nuttings offer perfect sealing in heavy duty applications thanks to their double sealing lips and POM back-up ring.

NBR O-ring guarantees the maximum sealing performance even in very low pressures.

Thanks to endurance grade special PU material, A162 U-ring rod nuttings can be safely used in heavy duty applications.

技术参数 / TECHNICAL DATA

工作压力 / Working Pressure	600 Bar
工作温度 / Working Temperature	-30 +100°C
滑动速度 / Sliding Speed	0.5 m/sn
材料 / Material	95 PU + POM + 70 NBR
介质 / Media	矿物基液压油 / Mineral Base Hydraulic Oil

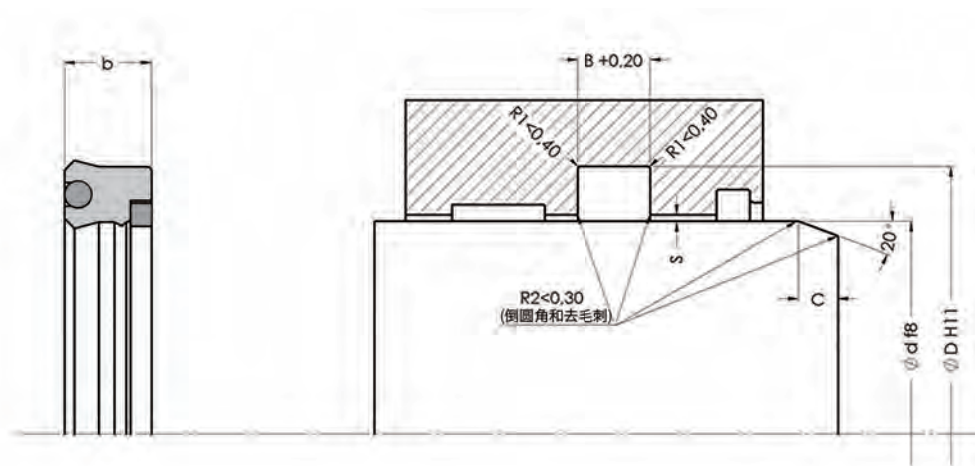
表面粗糙度 / Surface Roughness

	Ra	Rmax
动态表面 / Dynamic Surface	≤0.4 μm	≤3.2 μm
槽底部 / Groove Base	≤1.6 μm	≤10 μm
槽侧面 / Groove Flanks	≤3.2 μm	≤16 μm

材料最大许允间隙 / Permissible Gap (s max.)

S max (mm)	压力值 (巴) / Pressure (bar)			
	150	250	400	600
	1	0,8	0,6	0,4

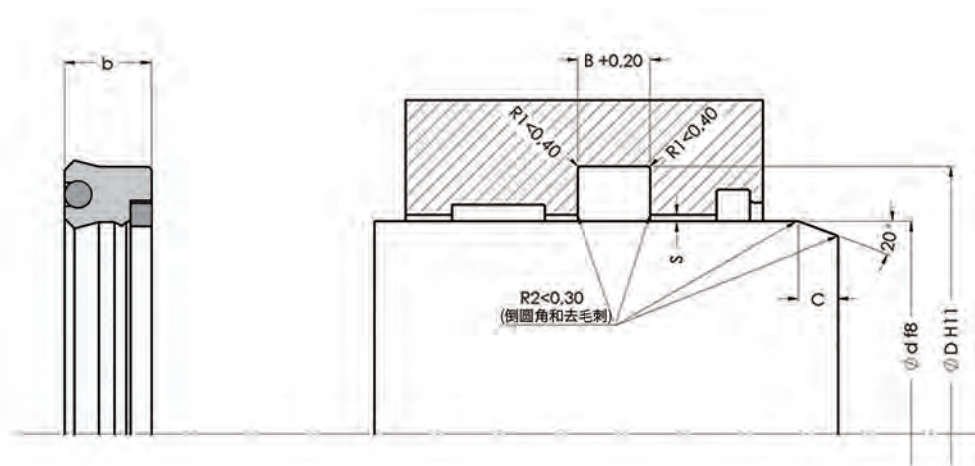




ALP 码 - Code	尺寸 - Dimension	Ød	ØD	b	B	C
A162-020	20X28X5,3	20	28	5,3	6,3	3
A162-022/1	22X30X5,3	22	30	5,3	6,3	3
A162-022	22X30X7	22	30	7	8	3
A162-025	25X33X5,3	25	33	5,3	6,3	3
A162-028	28X38X7	28	38	7	8	4
A162-031	31,75X38,10X6,35	31,75	38,1	6,35	7,35	3
A162-032	32X42X7	32	42	7	8	4
A162-035	35X50X9,5	35	50	9,5	10,5	5
A162-036	36X46X7	36	46	7	8	4,5
A162-037	37X47X8	37	47	8	9	4
A162-038	38,1X47,625X6,35	38,1	47,625	6,35	7,35	4
A162-040/1	40X50X7,3	40	50	7,3	8,3	4
A162-040/3	40X50X10	40	50	10	11	4
A162-040	40X55X9,5	40	55	9,5	10,5	5
A162-040/2	40X55X11,4	40	55	11,4	12,4	5
A162-044	44,45X57,15X9,52	44,45	57,15	9,52	10,52	4,5
A162-044/1	44,45X60,32X9,52	44,45	60,32	9,52	10,52	5,5
A162-045/1	45X55X7	45	55	7	8	4
A162-045/2	45X55X10	45	55	10	11	4
A162-045/3	45X57X12	45	57	12	13	4,5
A162-045	45X60X11,4	45	60	11,4	12,4	5
A162-046	46X56X10	46	56	10	11	4
A162-050/4	50X60X7,3	50	60	7,3	8,3	4
A162-050	50X65X11,4	50	65	11,4	12,4	5
A162-050/3	50X70X10	50	70	10	11	6
A162-050/1	50,8X60,32X9,52	50,8	60,32	9,52	10,52	4
A162-050/2	50,8X63,5X9,525	50,8	63,5	9,525	10,525	4,5
A162-052	52X62X10	52	62	10	11	4
A162-055/2	55X65X12	55	65	12	13	4
A162-055/3	55X68X12	55	68	12	13	4,5
A162-055/1	55X68X13	55	68	13	14	4,5
A162-055	55X70X11,4	55	70	11,4	12,4	5
A162-056	56X71X11,5	56	71	11,5	12,5	5
A162-057	57,15X69,85X9,52	57,15	69,85	9,52	10,52	4,5
A162-060/1	60X73X13	60	73	13	14	4,5
A162-060/2	60X75X7,5	60	75	7,5	8,5	5
A162-060	60X75X11,4	60	75	11,4	12,4	5
A162-063/2	63X75X8,7	63	75	8,7	9,7	4,5
A162-063/1	63X78X11,5	63	78	11,5	12,5	5

A162





ALP 码 - Code	尺寸 - Dimension	Ød	ØD	b	B	C
A162-063	63,5X76,2X9,52	63,5	76,2	9,52	10,52	4,5
A162-065	65X78X10	65	78	10	11	4,5
A162-065/1	65X80X9	65	80	9	10	5
A162-065/2	65X80X11,5	65	80	11,5	12,5	5
A162-068	68X78X12	68	78	12	13	4
A162-070/3	70X80X12	70	80	12	13	4
A162-070/6	70X82X12	70	82	12	13	4,5
A162-070/1	70X83X10	70	83	10	11	4,5
A162-070/2	70X85X9	70	85	9	10	5
A162-070	70X85X11,4	70	85	11,4	12,4	5
A162-070/5	70X85X12	70	85	12	13	5
A162-070/4	70X88X10	70	88	10	11	5,5
A162-075	75X88X10	75	88	10	11	4,5
A162-075/1	75X90X9	75	90	9	10	5
A162-075/2	75X90X10	75	90	10	11	5
A162-075/5	75X90X11,5	75	90	11,5	12,5	5
A162-075/3	75X90X12	75	90	12	13	5
A162-075/4	75X95X12	75	95	12	13	6
A162-076/2	76,2X88,9X9,52	76,2	88,9	9,52	10,52	4,5
A162-076	76,2X92,7X12,7	76,2	92,7	12,7	13,7	5,5
A162-080/1	80X93X10	80	93	10	11	4,5
A162-080/2	80X95X9	80	95	9	10	5
A162-080	80X95X11,4	80	95	11,4	12,4	5
A162-080/3	80X95X12	80	95	12	13	5
A162-082	82,55X95,25X9,52	82,55	95,25	9,52	10,52	4,5
A162-085	85X100X10	85	100	10	11	5
A162-085/3	85X100X11,5	85	100	11,5	12,5	5
A162-085/2	85X100X12	85	100	12	13	5
A162-085/1	85X105X15	85	105	15	16	6
A162-088	88,9X101,6X9,52	88,9	101,6	9,52	10,52	4,5
A162-090/1	90X105X10	90	105	10	11	5
A162-090	90X105X11,4	90	105	11,4	12,4	5
A162-090/3	90X110X14,5	90	110	14,5	15,5	6
A162-090/2	90X110X17	90	110	17	18	6
A162-095	95X110X10	95	110	10	11	5
A162-095/4	95X110X11,5	95	110	11,5	12,5	5
A162-095/3	95X110X12	95	110	12	13	5
A162-095/2	95X115X13,5	95	115	13,5	14,5	6
A162-095/1	95X115X15	95	115	15	16	6

A162



A163

A163 杆密封环的内密封唇设计较短,它只能用于杆的应用。

它具有的第二个动密封唇的设计,使得它可以维持较薄的油膜厚度。同时可以防止有害的颗粒进入液压缸内。POM支撑环具有很高的抗挤压性。

A163 U形环是特殊PU材料制成的,它可以安全地用于重型应用。

A163 U-ring rod nutrings, that have shorter inner sealing lips, are produced for only rod applications.

They leave lower oil film thickness due to their second dynamic sealing lip. At the same time, they prevent the entry of unfavourable particles into the cylinder. POM back-up rings offer high resistance to extrusion.

Thanks to endurance grade special PU material, A163 U-ring rod nutrings can be safely used in heavy duty applications.

技术参数 / TECHNICAL DATA

工作压力 / Working Pressure	400 Bar
工作温度 / Working Temperature	-30 +100°C
滑动速度 / Sliding Speed	0.5 m/sn
材料 / Material	95 PU + POM
介质 / Media	矿物基液压油 / Mineral Base Hydraulic Oil

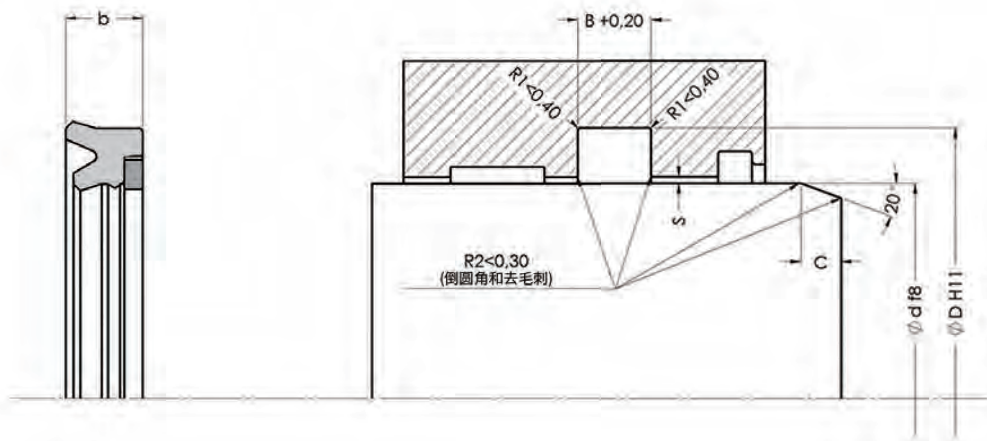
表面粗糙度 / Surface Roughness

	Ra	Rmax
动态表面 / Dynamic Surface	≤0.4 μm	≤3 μm
槽底部 / Groove Base	≤1.6 μm	≤10 μm
槽侧面 / Groove Flanks	≤3.2 μm	≤16 μm

PU 材料最大许允间隙 / Permissible Gap (max.) PU

横截面 / Cross Section	压力值 (巴) / Pressure (bar)		
	150	250	400
S max (mm)	1.0	0.8	0.6





ALP 码 - Code	尺寸 - Dimension	$\varnothing d$	$\varnothing D$	b	B	C
A163-022	22X30X6	22	30	6	7	4
A163-025	25X35X5	25	35	5	6	4
A163-028/1	28X35,5X5	28	35,5	5	6	4
A163-028	28X38X6	28	38	6	7	4
A163-030	30X40X8	30	40	8	9	4
A163-032	32X45X9,5	32	45	9,5	10,5	6
A163-035/2	35X44X5,5	35	44	5,5	6,5	4
A163-035/1	35X45X7	35	45	7	8	4
A163-035	35X45X8	35	45	8	9	4
A163-036/1	36X44X5,5	36	44	5,5	6,5	4
A163-036	36X46X8	36	46	8	9	4
A163-040	40X50X10	40	50	10	11	4
A163-040/2	40X52X10,9	40	52	10,9	11,9	6
A163-040/1	40X52X12	40	52	12	13	6
A163-045/1	45X55X7	45	55	7	8	4
A163-045	45X55X10	45	55	10	11	4
A163-050	50X60X10	50	60	10	11	4
A163-050/1	50X62X8	50	62	8	9	6
A163-052	52X68X10	52	68	10	11	6,5
A163-055	55X65X10	55	65	10	11	4
A163-055/1	55X65X12	55	65	12	13	4
A163-056	56X71X10	56	71	10	11	6,5
A163-060/2	60X68X13,5	60	68	13,5	14,5	4
A163-060	60X70X10	60	70	10	11	4
A163-060/1	60X75X12	60	75	12	13	6,5
A163-063	63X75X8	63	75	8	9	6
A163-063/2	63X75X8,5	63	75	8,5	9,5	6
A163-063/1	63X75X9	63	75	9	10	6
A163-063/3	63X78X10	63	78	10	11	6,5
A163-065	65X80X12	65	80	12	13	6,5
A163-070	70X80X10	70	80	10	11	4
A163-070/1	70X82X12	70	82	12	13	6
A163-070/2	70X85X11,5	70	85	11,5	12,5	6,5
A163-075	75X85X12	75	85	12	13	4
A163-078	78X86X13,5	78	86	13,5	14,5	4
A163-080	80X90X12	80	90	12	13	4
A163-080/1	80X92X11	80	92	11	12	6
A163-080/2	80X95X11,4	80	95	11,4	12,4	6,5
A163-085	85X100X12	85	100	12	13	6,5

A163





A164

A164 杆密封环的内密封唇设计较短,它只能用于杆的应用。

它具有的第二个动密封唇的设计,使得它可以维持较薄的油膜厚度。同时可以防止有害的颗粒进入液压缸内。

A164 U形环是特殊PU材料制成的,它可以安全地用于重型应用。

A164 U-ring rod nutrings, that have shorter inner sealing lips, are produced for only rod applications.

They ensure lower oil film thickness due to their second dynamic sealing lip. At the same time, they prevent the entry of unfavourable particles into the cylinder.

Thanks to endurance grade special PU material, A164 U-ring rod nutrings can be safely used in heavy duty applications.

技术参数 / TECHNICAL DATA

工作压力 / Working Pressure	400 Bar
工作温度 / Working Temperature	-35 +110°C
滑动速度 / Sliding Speed	0.5 m/sn
材料 / Material	95 PU
介质 / Media	矿物基液压油 / Mineral Base Hydraulic Oil

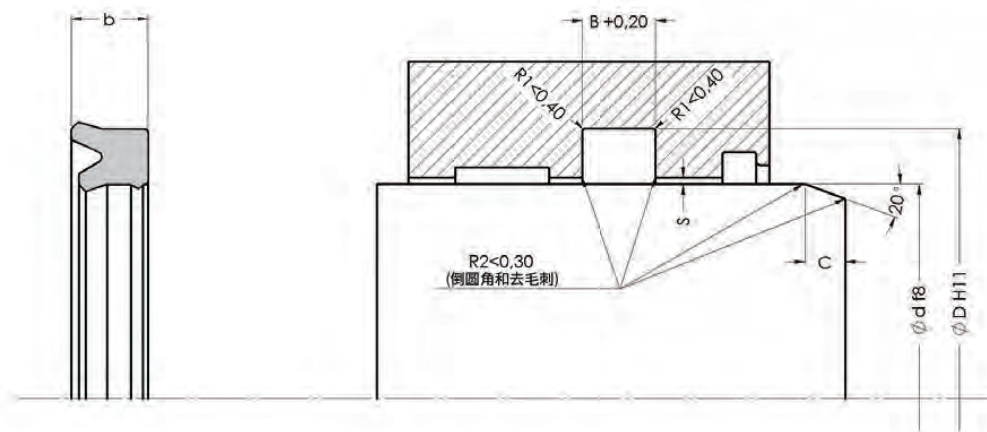
表面粗糙度 / Surface Roughness

	Ra	Rmax
动态表面 / Dynamic Surface	≤0.4 μm	≤3 μm
槽底部 / Groove Base	≤1.6 μm	≤10 μm
槽侧面 / Groove Flanks	≤3.2 μm	≤16 μm

PU 材料最大许允间隙 / Permissible Gap (max.) PU

横截面 / Cross Section	压力值 (巴) / Pressure (bar)		
	150	250	400
≤5	0.3	0.2	0.15
>5	0.35	0.25	0.2

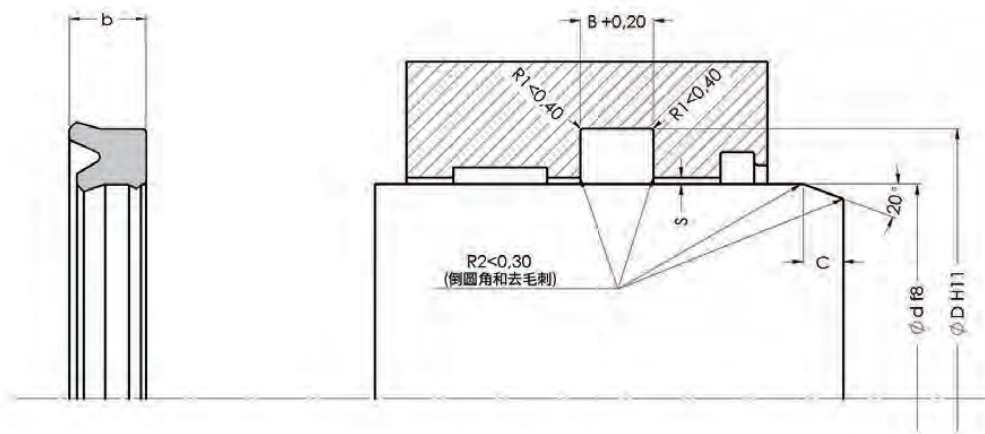




ALP 码 - Code	尺寸- Dimension	Ød	ØD	b	B	C
A164-006	6X14X5,8	6	14	5,8	6,8	4
A164-010	10X18X5,8	10	18	5,8	6,8	4
A164-010/1	10X22X7	10	22	7	8	5
A164-012	12X20X6,5	12	20	6,5	7,5	4
A164-012/1	12X22X7	12	22	7	8	4,5
A164-014	14X22X5,8	14	22	5,8	6,8	4
A164-015	15,4X25,5X7,4	15,4	25,5	7,4	8,4	4,5
A164-016/1	16X22X4,5	16	22	4,5	5	4
A164-016	16X24X5,8	16	24	5,8	6,8	4
A164-016/2	16X24X6,3	16	24	6,3	7,3	4
A164-016/3	16X26X7,3	16	26	7,3	8,3	4,5
A164-018/2	18X24X5	18	24	5	6	4
A164-018/5	18X25X5	18	25	5	6	4
A164-018/6	18X26X5	18	26	5	6	4
A164-018/3	18X26X5,8	18	26	5,8	6,8	4
A164-018/1	18X26X6	18	26	6	7	4
A164-018	18X26X6,3	18	26	6,3	7,3	4
A164-018/4	18X28X7,3	18	28	7,3	8,3	4,5
A164-019	19,05X25,4X6,35	19,05	25,4	6,35	7,35	4
A164-020/6	20X26X5	20	26	5	6	4
A164-020/3	20X26X5,5	20	26	5,5	6,5	4
A164-020/5	20X28X5	20	28	5	6	4
A164-020/1	20X28X6	20	28	6	7	4
A164-020	20X30X6	20	30	6	7	4,5
A164-020/4	20X30X8	20	30	8	9	4,5
A164-020/2	20X30X10	20	30	10	11	4,5
A164-022/4	22X30X5,8	22	30	5,8	6,8	4
A164-022/5	22X30X6	22	30	6	7	4
A164-022/1	22X30X8	22	30	8	9	4
A164-022	22X32X6	22	32	6	7	4,5
A164-022/3	22X32X7,3	22	32	7,3	8,3	4,5
A164-022/2	22X32X8	22	32	8	9	4,5
A164-022/7	22,4X30X5	22,4	30	5	6	4
A164-022/6	22,4X30X5,7	22,4	30	5,7	6,7	4
A164-025/4	25X33X5	25	33	5	6	4
A164-025/8	25X33X5,5	25	33	5,5	6,5	4
A164-025/12	25X33X5,8	25	33	5,8	6,8	4
A164-025/1	25X33X6	25	33	6	7	4
A164-025/3	25X33X6,5	25	33	6,5	7,5	4

A164





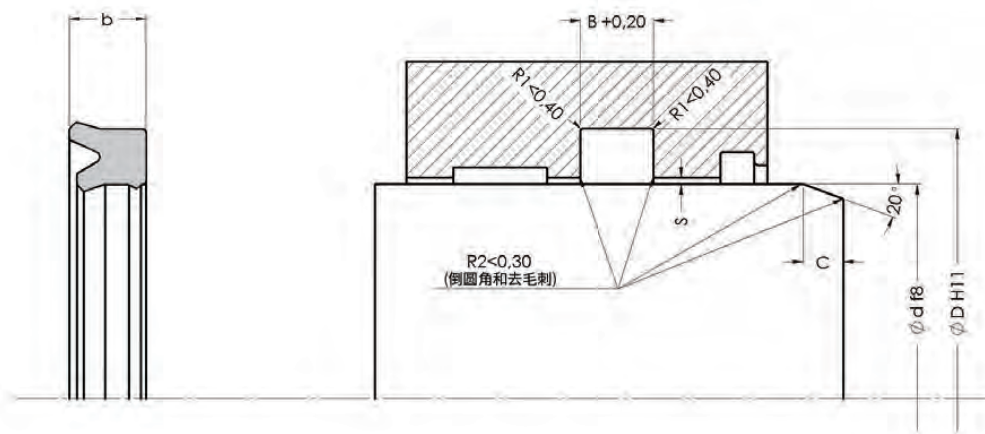
ALP 码 - Code	尺寸- Dimension	$\varnothing d$	$\varnothing D$	b	B	C
A164-025/10	25X33X7,3	25	33	7,3	8,3	4
A164-025/6	25X33X8	25	33	8	9	4
A164-025/13	25X33X10	25	33	10	11	4
A164-025	25X35X6	25	35	6	7	4,5
A164-025/2	25X35X7	25	35	7	8	4,5
A164-025/14	25X35X7,3	25	35	7,3	8,3	4,5
A164-025/9	25X35X8	25	35	8	9	4,5
A164-025/11	25X35X10	25	35	10	11	4,5
A164-025/5	25,4X31,8X8	25,4	31,8	8	9	4
A164-025/7	25,4X38,1X6,35	25,4	38,1	6,35	7,35	5
A164-028/7	28X35,5X5	28	35,5	5	6	4
A164-028/3	28X36X5,8	28	36	5,8	6,8	4
A164-028	28X36X6	28	36	6	7	4
A164-028/1	28X38X6	28	38	6	7	4,5
A164-028/5	28X38X7	28	38	7	8	4,5
A164-028/6	28X38X7,3	28	38	7,3	8,3	4,5
A164-028/4	28X38X8	28	38	8	9	4,5
A164-028/2	28X38X10	28	38	10	11	4,5
A164-030/3	30X38X6	30	38	6	7	4
A164-030/6	30X38X7	30	38	7	8	4
A164-030/5	30X40X6	30	40	6	7	4,5
A164-030/1	30X40X7	30	40	7	8	4,5
A164-030/8	30X40X7,3	30	40	7,3	8,3	4,5
A164-030	30X40X8	30	40	8	9	4,5
A164-030/2	30X40X10	30	40	10	11	4,5
A164-030/7	30X42X10	30	42	10	11	5
A164-030/4	30X45X10	30	45	10	11	5,5
A164-031	31,75X44,45X6,35	31,75	44,45	6,35	7,35	5
A164-032/2	32X40X5,5	32	40	5,5	6,5	4
A164-032/7	32X40X6	32	40	6	7	4
A164-032	32X40X7	32	40	7	8	4
A164-032/5	32X40X8	32	40	8	9	4
A164-032/4	32X42X6	32	42	6	7	4,5
A164-032/3	32X42X7,3	32	42	7,3	8,3	4,5
A164-032/1	32X42X10	32	42	10	11	4,5
A164-032/6	32X45X11	32	45	11	12	5
A164-035/6	35X42X7	35	42	7	8	4
A164-035/8	35X43X5,7	35	43	5,7	6,7	4
A164-035/5	35X43X8	35	43	8	9	4

A164

ALP 码 - Code	尺寸- Dimension	Ød	ØD	b	B	C
A164-035/7	35X45X6	35	45	6	7	4,5
A164-035/3	35X45X7	35	45	7	8	4,5
A164-035/4	35X45X7,3	35	45	7,3	8,3	4,5
A164-035	35X45X8	35	45	8	9	4,5
A164-035/2	35X45X10	35	45	10	11	4,5
A164-035/1	35X50X10	35	50	10	11	5,5
A164-036/5	36X44X5,8	36	44	5,8	6,8	4
A164-036/4	36X44X7,8	36	44	7,8	8,8	4
A164-036/3	36X46X7	36	46	7	8	4,5
A164-036/1	36X46X7,3	36	46	7,3	8,3	4,5
A164-036	36X46X8	36	46	8	9	4,5
A164-036/2	36X48X7	36	48	7	8	5
A164-038/1	38X48X8	38	48	8	9	4,5
A164-038	38X48X9	38	48	9	10	4,5
A164-038/2	38X55X10	38	55	10	11	6
A164-040/6	40X48X5,7	40	48	5,7	6,7	4
A164-040/7	40X50X6	40	50	6	7	4,5
A164-040/8	40X50X6,5	40	50	6,5	7,5	4,5
A164-040/3	40X50X7	40	50	7	8	4,5
A164-040/5	40X50X7,3	40	50	7,3	8,3	4,5
A164-040/2	40X50X8	40	50	8	9	4,5
A164-040	40X50X10	40	50	10	11	4,5
A164-040/1	40X55X10	40	55	10	11	5,5
A164-040/4	40X60X11,5	40	60	11,5	12,5	6
A164-045/6	45X55X6	45	55	6	7	4,5
A164-045/2	45X55X7	45	55	7	8	4,5
A164-045/5	45X55X7,3	45	55	7,3	8,3	4,5
A164-045/4	45X55X8	45	55	8	9	4,5
A164-045	45X55X10	45	55	10	11	4,5
A164-045/3	45X55X11	45	55	11	12	4,5
A164-045/1	45X60X10	45	60	10	11	5,5
A164-045/7	45X60X11,4	45	60	11,4	12,4	5,5
A164-050/6	50X58X8	50	58	8	9	4
A164-050/2	50X58X11	50	58	11	12	4
A164-050/14	50X60X6	50	60	6	7	4,5
A164-050/5	50X60X7	50	60	7	8	4,5
A164-050/8	50X60X7,3	50	60	7,3	8,3	4,5
A164-050/13	50X60X7,5	50	60	7,5	8,5	4,5
A164-050/7	50X60X8	50	60	8	9	4,5
A164-050	50X60X10	50	60	10	11	4,5
A164-050/3	50X60X11	50	60	11	12	4,5
A164-050/11	50X60X12	50	60	12	13	4,5
A164-050/12	50X63X9	50	63	9	10	5
A164-050/9	50X63X10	50	63	10	11	5
A164-050/1	50X65X10	50	65	10	11	5,5
A164-050/4	50X65X11,5	50	65	11,5	12,5	5,5
A164-050/10	50X65,7X10	50	65,7	10	11	5,5
A164-053	53X63X7,3	53	63	7,3	8,3	4,5
A164-055/3	55X63X11,5	55	63	11,5	12,5	4
A164-055/8	55X65X6	55	65	6	7	4,5
A164-055/9	55X65X6,5	55	65	6,5	7,5	4,5
A164-055/1	55X65X7	55	65	7	8	4,5
A164-055/7	55X65X9	55	65	9	10	4,5
A164-055	55X65X10	55	65	10	11	4,5

A164





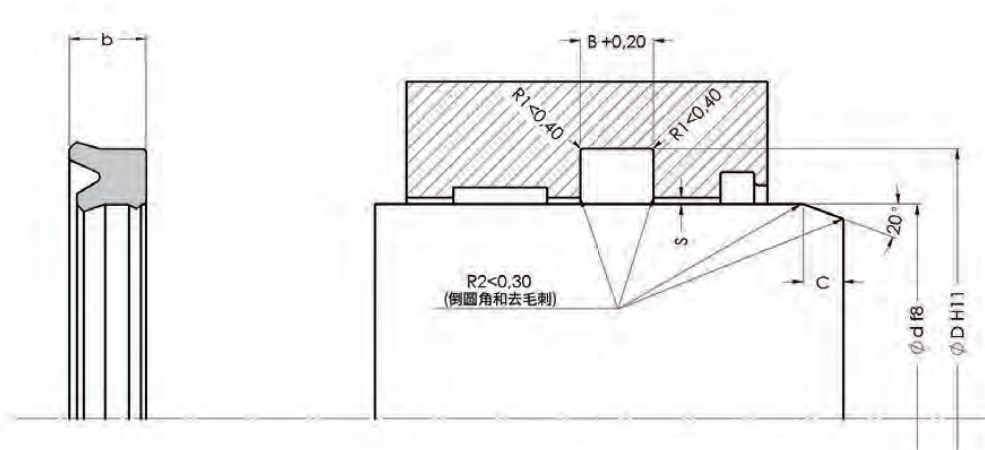
ALP 码 - Code	尺寸- Dimension	Ød	ØD	b	B	C
A164-055/2	55X65X12	55	65	12	13	4,5
A164-055/5	55X68X10	55	68	10	11	5
A164-055/5	55X68X10	55	68	10	11	5
A164-055/6	55X70X9	55	70	9	10	5,5
A164-055/4	55X75X12	55	75	12	13	6
A164-056/3	56X66X6	56	66	6	7	4,5
A164-056/2	56X66X10	56	66	10	11	4,5
A164-056	56X71X10	56	71	10	11	5,5
A164-056/1	56X71X11,4	56	71	11,4	12,4	5,5
A164-060/6	60X68X11,5	60	68	11,5	12,5	4
A164-060/10	60X70X6	60	70	6	7	4,5
A164-060/9	60X70X7	60	70	7	8	4,5
A164-060/8	60X70X7,5	60	70	7,5	8,5	4,5
A164-060/1	60X70X10	60	70	10	11	4,5
A164-060/3	60X70X11,5	60	70	11,5	12,5	4,5
A164-060/5	60X72X9	60	72	9	10	5
A164-060/7	60X73X10	60	73	10	11	5
A164-060/4	60X75X10	60	75	10	11	5,5
A164-060/2	60X75X12	60	75	12	13	5,5
A164-060	60X80X12	60	80	12	13	6
A164-060/11	60,32X73,02X9,52	60,32	73,02	9,52	10,52	5
A164-063	63X73X11,5	63	73	11,5	12,5	4,5
A164-063/4	63X75X10	63	75	10	11	5
A164-063/3	63X78X10	63	78	10	11	5,5
A164-063/1	63X78X11	63	78	11	12	5,5
A164-063/2	63X78X11,4	63	78	11,4	12,4	5,5
A164-065/1	65X73X8	65	73	8	9	4
A164-065/2	65X73X11,5	65	73	11,5	12,5	4
A164-065/8	65X75X6	65	75	6	7	4,5
A164-065/9	65X75X7	65	75	7	8	4,5
A164-065	65X75X10	65	75	10	11	4,5
A164-065/3	65X75X12	65	75	12	13	4,5
A164-065/6	65X78X10	65	78	10	11	5
A164-065/5	65X80X9	65	80	9	10	5,5
A164-065/7	65X80X10	65	80	10	11	5,5
A164-065/4	65X80X11,5	65	80	11,5	12,5	5,5
A164-068	68X78X12	68	78	12	13	4,5
A164-069	69,85X82,55X9,52	69,85	82,55	9,52	10,52	5
A164-070/3	70X78X8	70	78	8	9	4

A164

ALP 码 - Code	尺寸- Dimension	Ød	ØD	b	B	C
A164-070/1	70X78X11,5	70	78	11,5	12,5	4
A164-070/9	70X80X6	70	80	6	7	4,5
A164-070/8	70X80X10	70	80	10	11	4,5
A164-070	70X80X12	70	80	12	13	4,5
A164-070/6	70X83X10	70	83	10	11	5
A164-070/5	70X85X9	70	85	9	10	5,5
A164-070/4	70X85X11,5	70	85	11,5	12,5	5,5
A164-070/2	70X85X12	70	85	12	13	5,5
A164-070/7	70X90X12	70	90	12	13	6
A164-072	72X80X10	72	80	10	11	4
A164-075/3	75X83X11,5	75	83	11,5	12,5	4
A164-075/2	75X83X12	75	83	12	13	4
A164-075/6	75X85X6	75	85	6	7	4,5
A164-075/1	75X85X11,5	75	85	11,5	12,5	4,5
A164-075	75X85X12	75	85	12	13	4,5
A164-075/4	75X88X10	75	88	10	11	5
A164-075/8	75X88X12	75	88	12	13	5
A164-075/5	75X90X9	75	90	9	10	5,5
A164-075/7	75X90X12	75	90	12	13	5,5
A164-080/1	80X88X11	80	88	11	12	4
A164-080/5	80X88X11,5	80	88	11,5	12,5	4
A164-080/7	80X90X6	80	90	6	7	4,5
A164-080	80X90X12	80	90	12	13	4,5
A164-080/8	80X95X9	80	95	9	10	5,5
A164-080/12	80X95X11,4	80	95	11,4	12,4	5,5
A164-080/6	80X95X11,8	80	95	11,8	12,8	5,5
A164-080/2	80X95X12,5	80	95	12,5	13,5	5,5
A164-080/9	80X100X9	80	100	9	10	6
A164-080/4	80X100X12	80	100	12	13	6
A164-080/3	80X100X15	80	100	15	16	6
A164-085/1	85X95X12	85	95	12	13	4,5
A164-085/3	85X100X9	85	100	9	10	5,5
A164-085	85X100X11,5	85	100	11,5	12,5	5,5
A164-085/2	85X100X12	85	100	12	13	5,5
A164-085/4	85X105X10	85	105	10	11	6
A164-085/5	85X105X12	85	105	12	13	6
A164-088	88,5X97X11	88,5	97	11	12	4,5
A164-090/7	90X98X8	90	98	8	9	4
A164-090/8	90X98X11,5	90	98	11,5	12,5	4
A164-090/6	90X98X12	90	98	12	13	4
A164-090/3	90X100X11,5	90	100	11,5	12,5	4,5
A164-090	90X100X12	90	100	12	13	4,5
A164-090/2	90X100X13	90	100	13	14	4,5
A164-090/11	90X105X9	90	105	9	10	5,5
A164-090/12	90X105X10	90	105	10	11	5,5
A164-090/13	90X105X11,4	90	105	11,4	12,4	5,5
A164-090/9	90X105X11,5	90	105	11,5	12,5	5,5
A164-090/1	90X105X12	90	105	12	13	5,5
A164-090/4	90X110X10	90	110	10	11	6
A164-090/10	90X110X12	90	110	12	13	6
A164-090/5	90X110X15	90	110	15	16	6
A164-095/2	95X103X11,5	95	103	11,5	12,5	4
A164-095/1	95X103X12	95	103	12	13	4
A164-095	95X105X12	95	105	12	13	4,5

A164





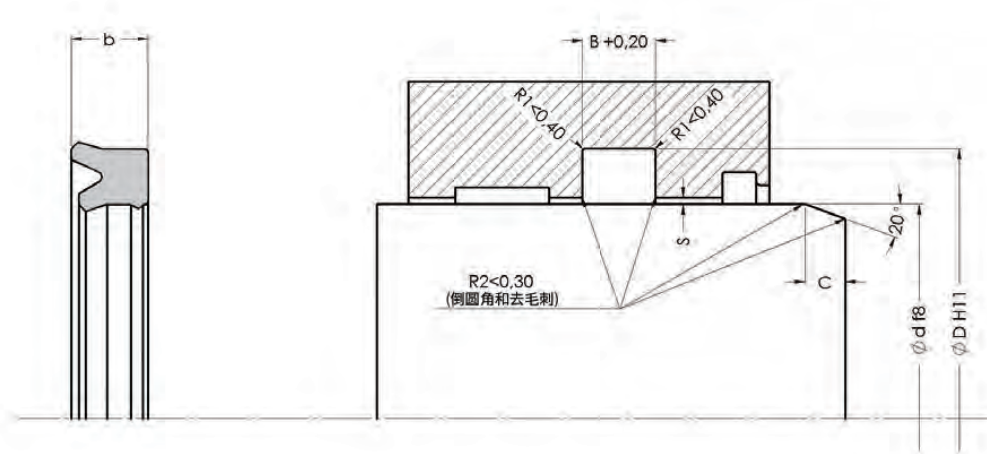
ALP 码 - Code	尺寸- Dimension	ϕd	ϕD	b	B	C
A164-095/5	95X110X9	95	110	9	10	5,5
A164-095/4	95X110X10	95	110	10	11	5,5
A164-095/3	95X115X12	95	115	12	13	6
A164-097	97X105X13	97	105	13	14	4
A164-100/3	100X108X11,5	100	108	11,5	12,5	4
A164-100/2	100X110X11,5	100	110	11,5	12,5	4,5
A164-100/1	100X115X9	100	115	9	10	5,5
A164-100/8	100X115X10	100	115	10	11	5,5
A164-100	100X115X12	100	115	12	13	5,5
A164-100/7	100X118X11,5	100	118	11,5	12,5	6
A164-100/4	100X120X12	100	120	12	13	6
A164-100/9	100X120X14,5	100	120	14,5	15,5	6
A164-100/6	100X120X15	100	120	15	16	6
A164-100/5	100X130X12	100	130	12	13	8
A164-105/1	105X115X11,5	105	115	11,5	12,5	4,5
A164-105	105X115X12	105	115	12	13	4,5
A164-105/2	105X120X9	105	120	9	10	5,5
A164-105/4	105X120X10	105	120	10	11	5,5
A164-110/3	110X118X11,5	110	118	11,5	12,5	4
A164-110/5	110X120X10	110	120	10	11	4,5
A164-110/9	110X120X11,5	110	120	11,5	12,5	4,5
A164-110/6	110X120X14	110	120	14	15	4,5
A164-110/7	110X125X9	110	125	9	10	5,5
A164-110/8	110X125X10	110	125	10	11	5,5
A164-110/2	110X125X12	110	125	12	13	5,5
A164-110/4	110X125X15	110	125	15	16	5,5
A164-110/1	110X130X12	110	130	12	13	6
A164-110	110X130X15	110	130	15	16	6
A164-112	112X125X9	112	125	9	10	5
A164-113,5	113,5X121,5X8	113,5	121,5	8	9	4
A164-114	114X124X11	114	124	11	12	4,5
A164-115/1	115X123X12	115	123	12	13	4
A164-115	115X125X12	115	125	12	13	4,5
A164-115/2	115X130X9	115	130	9	10	5,5
A164-115/3	115X130X10	115	130	10	11	5,5
A164-120	120X130X11,5	120	130	11,5	12,5	4,5
A164-120/4	120X135X9	120	135	9	10	5,5
A164-120/2	120X135X15	120	135	15	16	5,5
A164-120/1	120X140X12	120	140	12	13	6

A164

ALP 码 - Code	尺寸- Dimension	Ød	ØD	b	B	C
A164-120/3	120X140X15	120	140	15	16	6
A164-125	125X135X12	125	135	12	13	4,5
A164-125/2	125X140X9	125	140	9	10	5,5
A164-125/1	125X145X15	125	145	15	16	6
A164-128	128X136X12,5	128	136	12,5	13,5	4
A164-129	129X139X14	129	139	14	15	4,5
A164-130/1	130X140X10	130	140	10	11	4,5
A164-130/2	130X145X9	130	145	9	10	5,5
A164-130/4	130X145X10	130	145	10	11	5,5
A164-130/3	130X150X12	130	150	12	13	6
A164-130	130X150X15	130	150	15	16	6
A164-132	132X142X11,5	132	142	11,5	12,5	4,5
A164-135/1	135X143X12	135	143	12	13	4
A164-135	135X145X12	135	145	12	13	4,5
A164-140/2	140X155X9	140	155	9	10	5,5
A164-140/1	140X160X12	140	160	12	13	6
A164-140	140X160X15	140	160	15	16	6
A164-145	145X153X8	145	153	8	9	4
A164-145/3	145X160X9	145	160	9	10	5,5
A164-149	149X159X14	149	159	14	15	4,5
A164-150/1	150X160X10	150	160	10	11	4,5
A164-150/3	150X165X9	150	165	9	10	5,5
A164-150/4	150X170X12	150	170	12	13	6
A164-150/2	150X170X14	150	170	14	15	6
A164-150	150X170X15	150	170	15	16	6
A164-152	152X162X11,5	152	162	11,5	12,5	4,5
A164-155	155X165X12	155	165	12	13	4,5
A164-160	160X170X12	160	170	12	13	4,5
A164-160/3	160X175X9	160	175	9	10	5,5
A164-160/2	160X180X12	160	180	12	13	6
A164-160/1	160X180X15	160	180	15	16	6
A164-165	165X175X12	165	175	12	13	4,5
A164-170/2	170X180X10	170	180	10	11	4,5
A164-170	170X180X12	170	180	12	13	4,5
A164-170/1	170X190X15	170	190	15	16	6
A164-172	172X182X11,5	172	182	11,5	12,5	4,5
A164-175	175X185X12	175	185	12	13	4,5
A164-180/1	180X200X12	180	200	12	13	6
A164-180	180X200X15	180	200	15	16	6
A164-185	185X195X12	185	195	12	13	4,5
A164-190	190X210X15	190	210	15	16	6
A164-192	192X212X12	192	212	12	13	6
A164-200/3	200X210X11,5	200	210	11,5	12,5	4,5
A164-200	200X212X15	200	212	15	16	5
A164-200/2	200X220X12	200	220	12	13	6
A164-200/1	200X220X15	200	220	15	16	6
A164-207	207X217X13,5	207	217	13,5	14,5	4,5
A164-212/1	212X220X13,5	212	220	13,5	14,5	4
A164-212	212X222X12	212	222	12	13	4,5
A164-215/1	215X225X12	215	225	12	13	4,5
A164-215	215X235X12	215	235	12	13	6
A164-220	220X250X18	220	250	18	19	8
A164-240	240X260X15	240	260	15	16	6
A164-252	252X273X10	252	273	10	11	6

A164





ALP 码 - Code	尺寸- Dimension	ϕd	ϕD	b	B	C
A164-258	258X278X15	258	278	15	16	6
A164-280	280X310X18	280	310	18	19	8
A164-300	300X330X17	300	330	17	18	10
A164-360	360X385X23	360	385	23	24	12
A164-400	400X424X12,5	400	424	12,5	13,5	12

A164



A167

A167 U型杆密封具有对称的密封唇设计,它只能用于杆密封应用。

在宽广的尺寸范围内,A167 U型密封件均具有高性价比,它由 PU 材料制成。

A167 高性能 U 型杆密封是特殊PU材料造成的、它可以安全用于重型应用。

A167 U-ring rod nutrings, are produced for only rod applications.

With a wide range of dimension availability, A167 nutrings, which have an impressive price-performance ratio, are produced using standard material PU.

Thanks to endurance grade special PU material, A167 U-ring rod nutrings can be safely used in heavy duty applications.

技术参数 / TECHNICAL DATA

工作压力 / Working Pressure	400 Bar
工作温度 / Working Temperature	-35 +110°C
滑动速度 / Sliding Speed	0.5 m/sn
材料 / Material	95 PU
介质 / Media	矿物基液压油 / Mineral Base Hydraulic Oil

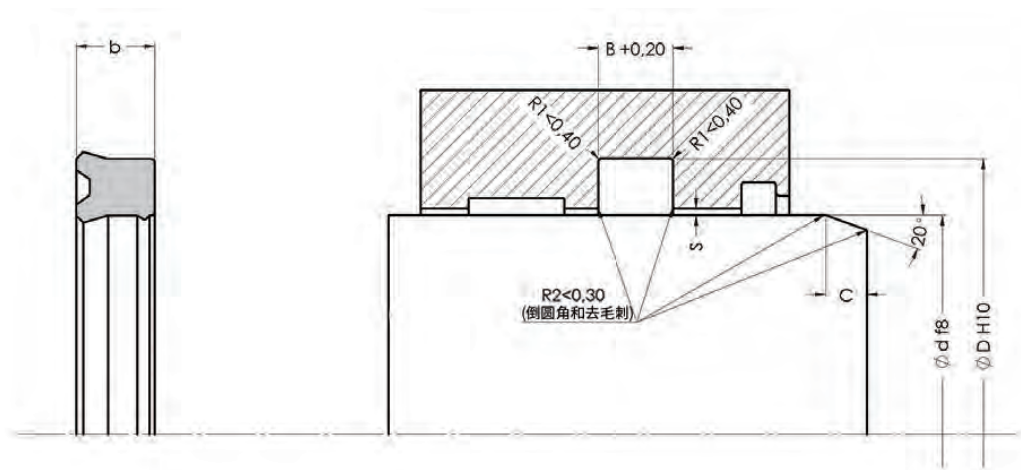
表面粗糙度 / Surface Roughness

	Ra	Rmax
动态表面 / Dynamic Surface	≤0.4 μm	≤3.2 μm
槽底部 / Groove Base	≤1.6 μm	≤10 μm
槽侧面 / Groove Flanks	≤3.2 μm	≤16 μm

PU材料最大许允间隙 / Permissible Gap (max.) PU

横截面 / Cross Section	压力值 (巴) / Pressure (bar)		
	150	250	400
≤5	0.3	0.2	0.15
>5	0.35	0.25	0.2

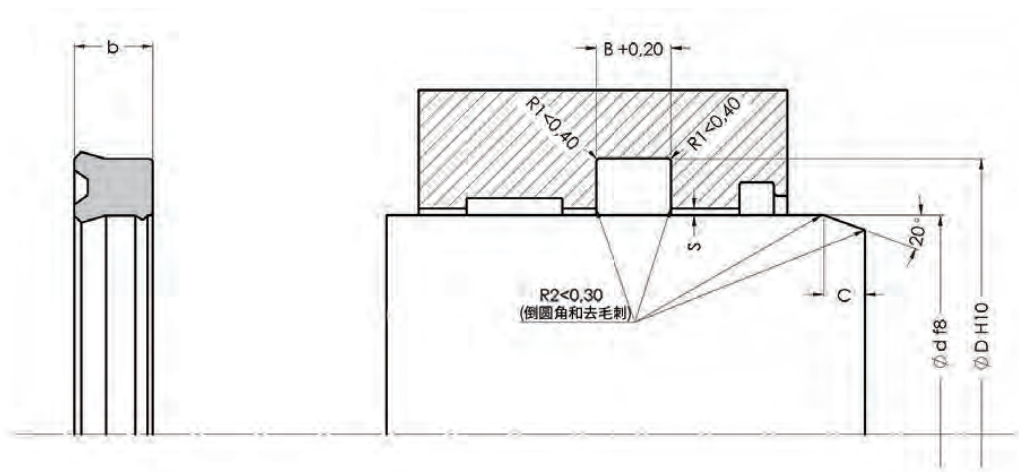




ALP 码 - Code	尺寸- Dimension	Ød	ØD	b	B	C
A167-006	6X10X4	6	10	4	4,5	3
A167-008	8X16X5,8	8	16	5,8	6,3	4
A167-012/1	12X19X5,7	12	19	5,7	6,2	3,5
A167-012	12X20X5,8	12	20	5,8	6,3	4
A167-014	14X20X5,7	14	20	5,7	6,2	3
A167-016/1	16X20,9X3,5	16	20,9	3,5	4	3
A167-016	16X22X5	16	22	5	5,5	3
A167-018/1	18X25X5	18	25	5	5,5	3,5
A167-018	18X26X5,8	18	26	5,8	6,3	4
A167-020	20X28X5,8	20	28	5,8	6,3	4
A167-022	22X28X4,5	22	28	4,5	5	3
A167-022/2	22X30X5,8	22	30	5,8	6,3	4
A167-022/1	22X30X7	22	30	7	8	4
A167-024	24,5X30X4,5	24,5	30	4,5	5	3
A167-025	25X33X5,8	25	33	5,8	6,3	4
A167-025/1	25X36X5	25	36	5	5,5	4,5
A167-028	28X36X6	28	36	6	7	4
A167-028/1	28X36X6,3	28	36	6,3	7,3	4
A167-028/2	28X36X8	28	36	8	9	4
A167-030	30X38X5,8	30	38	5,8	6,3	4
A167-030/1	30X38X8	30	38	8	9	4
A167-030/3	30X40X8	30	40	8	9	4,5
A167-030/2	30X40X10	30	40	10	11	4,5
A167-031	31,75X38,1X6,35	31,75	38,1	6,35	7,35	3
A167-032/1	32X40X5,5	32	40	5,5	6	4
A167-032/4	32X40X6	32	40	6	7	4
A167-032	32X40X8	32	40	8	9	4
A167-032/2	32X42X7	32	42	7	8	4,5
A167-032/3	32X42X8	32	42	8	9	4,5
A167-032/5	32X47X10	32	47	10	11	5,5
A167-035	35X43X5,8	35	43	5,8	6,3	4
A167-035/1	35X43X8	35	43	8	9	4
A167-035/2	35X45X5,8	35	45	5,8	6,3	4,5
A167-035/3	35X45X10	35	45	10	11	4,5
A167-036	36X44X5,8	36	44	5,8	6,3	4
A167-038	38X50X8,5	38	50	8,5	9,5	5
A167-040	40X48X5,8	40	48	5,8	6,3	4
A167-040/1	40X48X8	40	48	8	9	4
A167-040/2	40X50X7	40	50	7	8	4,5

A167





ALP 码 - Code	尺寸- Dimension	Ød	ØD	b	B	C
A167-040/3	40X50X10	40	50	10	11	4,5
A167-042	42X50X6	42	50	6	7	4
A167-042/1	42X52X8	42	52	8	9	4,5
A167-044	44,45X53,97X7,92	44,45	53,97	7,92	8,92	4,5
A167-045/4	45X52X12	45	52	12	13	3,5
A167-045	45X53X5,8	45	53	5,8	6,3	4
A167-045/1	45X53X8	45	53	8	9	4
A167-045/3	45X55X5,8	45	55	5,8	6,3	4,5
A167-045/2	45X55X7	45	55	7	8	4,5
A167-046	46X54X8	46	54	8	9	4
A167-050	50X58X8	50	58	8	9	4
A167-050/1	50X58X9	50	58	9	10	4
A167-050/2	50X60X10	50	60	10	11	4,5
A167-055/1	55X63X8	55	63	8	9	4
A167-055	55X65X8	55	65	8	9	4,5
A167-055/2	55X65X10	55	65	10	11	4,5
A167-056	56X64X8	56	64	8	9	4
A167-056/1	56X66X6,8	56	66	6,8	7,8	4,5
A167-060/4	60X68X6	60	68	6	7	4
A167-060	60X68X8	60	68	8	9	4
A167-060/3	60X70X10	60	70	10	11	4,5
A167-060/1	60X70X11,5	60	70	11,5	12,5	4,5
A167-060/2	60X72X9	60	72	9	10	5
A167-061/1	61X69X6	61	69	6	7	4
A167-063	63,5X73,02X9,52	63,5	73,02	9,52	10,52	4,5
A167-065	65X73X8	65	73	8	9	4
A167-065/2	65X75X12,5	65	75	12,5	13,5	4,5
A167-065/1	65X77X9	65	77	9	10	5
A167-066	66,7X76,2X9,52	66,7	76,2	9,52	10,52	4,5
A167-070	70X78X8	70	78	8	9	4
A167-070/4	70X80X6,5	70	80	6,5	7,5	4,5
A167-070/1	70X82X9	70	82	9	10	5
A167-070/3	70X85X11,5	70	85	11,5	12,5	5,5
A167-070/2	70X85X12	70	85	12	13	5,5
A167-075/2	75X83X6	75	83	6	7	4
A167-075/1	75X83X8	75	83	8	9	4
A167-075	75X85X8	75	85	8	9	4,5
A167-075/3	75X85X10	75	85	10	11	4,5
A167-076/1	76X84X6	76	84	6	7	4

A167



A168

A168 U型杆密封环的外密封唇设计较短,适用于活塞密封。

带有POM支撑环的特殊泄压槽和抗挤压性可提供高性能和长使用寿命。

A168 U形环是特殊PU材料制成的,它可以安全地用于重型应用。

A168 U-ring piston nutrings, with shorter outer sealing lips are produced for only rod applications.

Special pressure relieving grooves and extrusion resistance with POM back-up ring provides high performance and long working life.

Thanks to endurance grade special PU material, A168 U-ring piston nutrings can be safely used in heavy duty applications.

技术参数 / TECHNICAL DATA

工作压力 / Working Pressure	400 Bar
工作温度 / Working Temperature	-30 +100°C
滑动速度 / Sliding Speed	0.5 m/sn
材料 / Material	95 PU + POM
介质 / Media	矿物基液压油 / Mineral Base Hydraulic Oil

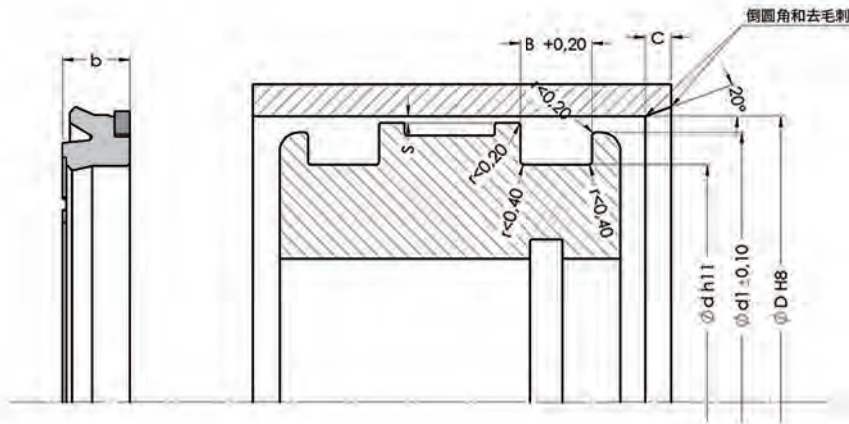
表面粗糙度 / Surface Roughness

	Ra	Rmax
动态表面 / Dynamic Surface	≤0.4 μm	≤3 μm
槽底部 / Groove Base	≤1.6 μm	≤10 μm
槽侧面 / Groove Flanks	≤3.2 μm	≤16 μm

材料最大允许间隙 / Permissible Gap (s max.)

横截面 / Cross Section	压力值 (巴) / Pressure (bar)			
	100	150	250	400
S max (mm)	1	0,8	0,7	0,6





ALP 码 - Code	尺寸- Dimension	ϕD	ϕd	B	$\phi d1$	C
A168-040	40X25X11	40	25	11	35	4
A168-045	45X30X11	45	30	11	40	4
A168-050	50X35X11	50	35	11	45	4
A168-055	55X40X11	55	40	11	50	4
A168-060	60X45X11	60	45	11	55	4
A168-063	63X48X10	63	48	10	58	4
A168-063/1	63X50X10	63	50	10	60	4
A168-065	65X50X11	65	50	11	60	4
A168-070	70X50X13	70	50	13	64	5
A168-075	75X55X13	75	55	13	69	5
A168-080	80X60X13	80	60	13	74	5
A168-085	85X70X9,3	85	70	9,3	79	5
A168-090	90X70X13	90	70	13	84	5
A168-100	100X80X13	100	80	13	94	5
A168-100/1	100X85X10	100	85	10	95	5
A168-110	110X90X13	110	90	13	104	5
A168-125	125X100X16,2	125	100	16,2	119	6,5
A168-130	130X110X12,5	130	110	12,5	124	6,5
A168-140	140X115X15	140	115	15	134	6,5
A168-150	150X120X19	150	120	19	144	8
A168-160	160X145X12	160	145	12	154	6,5
A168-170	170X155X12	170	155	12	164	6,5

A168





A171

由于其对称的唇缘设计, A171 活塞杆密封件可用于杆和活塞应用中。

在宽广的尺寸范围内, A171 U型密封件均具有高性价比, 它由特殊的PU材料制成。

A171 U形环是特殊PU材料制成的, 它可以安全地用于重型应用。

A171 piston rod seals can be used in both rod and piston applications, thanks to their symmetrical lip design.

With a wide range of dimension availability, A171 piston rod seals have efficient price-performance ratio and they are produced with two optional standard PU materials.

Thanks to endurance grade special PU material, A171 U-Ring Rod/Piston Nutrings can be safely used in heavy duty applications.

技术参数 / TECHNICAL DATA

工作压力 / Working Pressure	400 Bar
工作温度 / Working Temperature	-35 +110°C
滑动速度 / Sliding Speed	0.5 m/sn
材料 / Material	95 PU
介质 / Media	矿物基液压油 / Mineral Base Hydraulic Oil

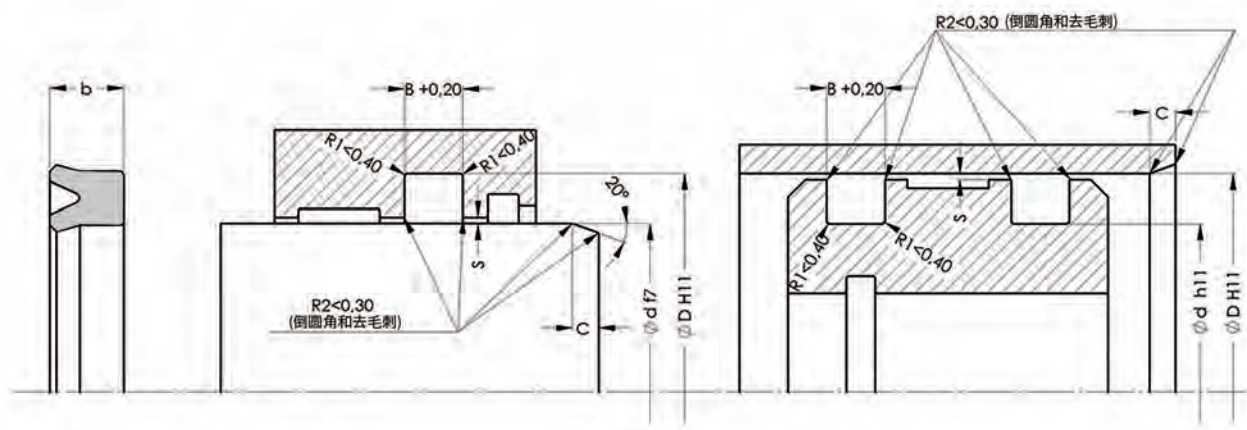
表面粗糙度 / Surface Roughness

	Ra	Rmax
动态表面 / Dynamic Surface	0.3 μm	3 μm
槽底部 / Groove Base	1.8 μm	10 μm
槽侧面 / Groove Flanks	3.2 μm	16 μm

材料最大许允间隙 / Permissible Gap (s max.)

横截面 / Cross Section	压力值 (巴) / Pressure (bar)		
	150	250	400
≤ 5	0.3	0.2	0.15
> 5	0.35	0.25	0.2

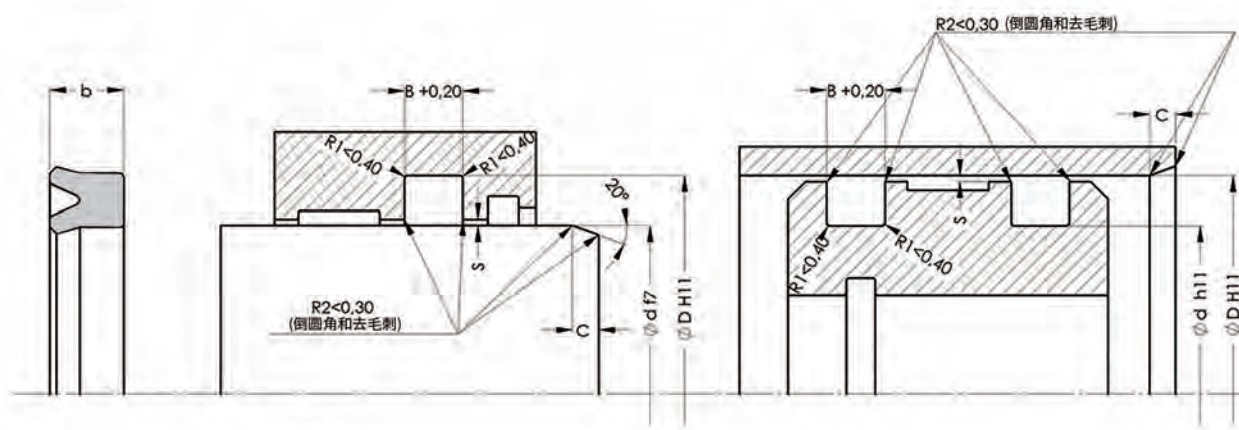




ALP 码 - Code	尺寸 - Dimension	Ød	ØD	b	B	C	PU
A171-003/2	3X7X5	3	7	5	6	2	PU
A171-003	3X8X3,5	3	8	3,5	4	2,5	PU
A171-003/1	3X10X6	3	10	6	7	3,5	PU
A171-004/1	4X10X4	4	10	4	4,5	3	PU
A171-004/5	4X10X4,5	4	10	4,5	5	3	PU
A171-004/3	4X10X5	4	10	5	6	3	PU
A171-004/2	4X10X6	4	10	6	7	3	PU
A171-004/4	4X12X4	4	12	4	4,5	4	PU
A171-004	4X12X5,5	4	12	5,5	6,5	4	PU
A171-005/2	5X10X4	5	10	4	4,5	2,5	PU
A171-005/3	5X10X5	5	10	5	6	2,5	PU
A171-005/1	5X11X5	5	11	5	6	3	PU
A171-005	5X11X7	5	11	7	8	3	PU
A171-005/4	5X12X5	5	12	5	6	3,5	PU
A171-005/5	5X14X4,5	5	14	4,5	5	4	PU
A171-006/14	6X9X2	6	9	2	2,5	2	PU
A171-006/5	6X10X3	6	10	3	3,5	2	PU
A171-006/1	6X10X8	6	10	8	9	2	PU
A171-006/8	6X12X4	6	12	4	4,5	3	PU
A171-006	6X12X6	6	12	6	7	3	PU
A171-006/4	6X12X7	6	12	7	8	3	PU
A171-006/10	6X13X5,5	6	13	5,5	6,5	3,5	PU
A171-006/15	6X13X8	6	13	8	9	3,5	PU
A171-006/2	6X14X4	6	14	4	4,5	4	PU
A171-006/13	6X14X6	6	14	6	7	4	PU
A171-006/6	6X15X5	6	15	5	6	4	PU
A171-006/12	6X15X7,5	6	15	7,5	8,5	4	PU
A171-006/3	6X16X5	6	16	5	6	4,5	PU
A171-006/7	6X16X6	6	16	6	7	4,5	PU
A171-006/9	6X18X8	6	18	8	9	5	PU
A171-007/4	7X12X2,55	7	12	2,55	3,05	3	PU
A171-007/3	7X13X3,5	7	13	3,5	4	3	PU
A171-007/1	7X14X7	7	14	7	8	3,5	PU
A171-007	7X15X5	7	15	5	6	4	PU
A171-007/2	7X15X7	7	15	7	8	4	PU
A171-008/8	8X12X4	8	12	4	4,5	2	PU
A171-008/10	8X12X5	8	12	5	6	2	PU
A171-008/6	8X14X4	8	14	4	4,5	3	PU
A171-008/1	8X14X6	8	14	6	7	3	PU

A171





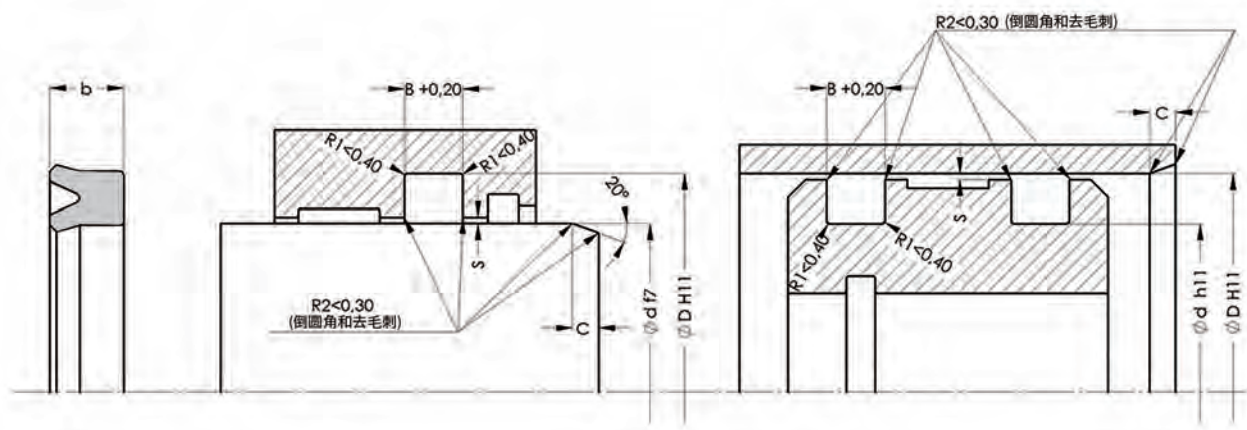
ALP 码 - Code	尺寸- Dimension	Ød	ØD	b	B	C	PU
A171-008/3	8X15X5	8	15	5	6	3,5	PU
A171-008/12	8X15X6	8	15	6	7	3,5	PU
A171-008/7	8X15X8	8	15	8	9	3,5	PU
A171-008/4	8X16X6	8	16	6	7	4	PU
A171-008/5	8X16X8	8	16	8	9	4	PU
A171-008/9	8X17X6	8	17	6	7	4	PU
A171-008	8X18X8	8	18	8	9	4,5	PU
A171-008/11	8X18X9	8	18	9	10	4,5	PU
A171-008/2	8X20X8	8	20	8	9	5	PU
A171-009/5	9X15X8	9	15	8	9	3	PU
A171-009/2	9X16X4	9	16	4	4,5	3,5	PU
A171-009/3	9X16X7	9	16	7	8	3,5	PU
A171-009/4	9X17X5,5	9	17	5,5	6,5	4	PU
A171-009	9X17X6	9	17	6	7	4	PU
A171-009/1	9X19X6	9	19	6	7	4,5	PU
A171-010/17	10X14X4	10	14	4	4,5	2	PU
A171-010/4	10X15X4	10	15	4	4,5	2,5	PU
A171-010/3	10X16X4	10	16	4	4,5	3	PU
A171-010/20	10X16X4,5	10	16	4,5	5	3	PU
A171-010/6	10X16X5	10	16	5	6	3	PU
A171-010/5	10X16X6	10	16	6	7	3	PU
A171-010/11	10X18X4	10	18	4	4,5	4	PU
A171-010/13	10X18X6	10	18	6	7	4	PU
A171-010/10	10X18X8	10	18	8	9	4	PU
A171-010/19	10X20X4,5	10	20	4,5	5	4,5	PU
A171-010/21	10X20X6	10	20	6	7	4,5	PU
A171-010/18	10X20X6,5	10	20	6,5	7,5	4,5	PU
A171-010/7	10X20X7	10	20	7	8	4,5	PU
A171-010	10X20X8	10	20	8	9	4,5	PU
A171-010/1	10X22X6	10	22	6	7	5	PU
A171-010/2	10X22X8	10	22	8	9	5	PU
A171-010/8	10X22X9	10	22	9	10	5	PU
A171-010/16	10X25X8	10	25	8	9	5,5	PU
A171-010/14	10X25X10	10	25	10	11	5,5	PU
A171-010/9	10X26X8	10	26	8	9	6	PU
A171-010/15	10X26X9,5	10	26	9,5	10,5	6	PU
A171-010/12	10X28X10	10	28	10	11	6	PU
A171-011/1	11X18,35X5	11	18,35	5	6	3,5	PU
A171-011	11,2X19,2X5	11,2	19,2	5	6	4	PU

A171

ALP 码 - Code	尺寸- Dimension	Ød	ØD	b	B	C	PU
A171-012/17	12X16X3	12	16	3	3,5	2	PU
A171-012/8	12X17X3	12	17	3	3,5	2,5	PU
A171-012/13	12X18X4	12	18	4	4,5	3	PU
A171-012/14	12X18X5	12	18	5	6	3	PU
A171-012/12	12X18X6	12	18	6	7	3	PU
A171-012/19	12X18X8	12	18	8	9	3	PU
A171-012/2	12X20X5	12	20	5	6	4	PU
A171-012/15	12X20X5,5	12	20	5,5	6,5	4	PU
A171-012/1	12X20X8	12	20	8	9	4	PU
A171-012/18	12X22X5	12	22	5	6	4,5	PU
A171-012/7	12X22X6	12	22	6	7	4,5	PU
A171-012/6	12X22X7	12	22	7	8	4,5	PU
A171-012	12X22X8	12	22	8	9	4,5	PU
A171-012/4	12X24X6	12	24	6	7	5	PU
A171-012/11	12X24X10	12	24	10	11	5	PU
A171-012/3	12X25X8	12	25	8	9	5	PU
A171-012/9	12X26X10	12	26	10	11	5,5	PU
A171-012/5	12X28X10	12	28	10	11	6	PU
A171-012/10	12X32X10	12	32	10	11	6	PU
A171-012/16	12,7X25,4X6,35	12,7	25,4	6,35	7,35	5	PU
A171-013	13X25X8	13	25	8	9	5	PU
A171-014/11	14X20X4	14	20	4	4,5	3	PU
A171-014/9	14X20X5	14	20	5	6	3	PU
A171-014/10	14X20X6	14	20	6	7	3	PU
A171-014/15	14X20X8	14	20	8	9	3	PU
A171-014/12	14X22X4	14	22	4	4,5	4	PU
A171-014/1	14X22X5	14	22	5	6	4	PU
A171-014/3	14X22X6	14	22	6	7	4	PU
A171-014/13	14X22X8	14	22	8	9	4	PU
A171-014/6	14X22X12	14	22	12	13	4	PU
A171-014/5	14X24X5	14	24	5	6	4,5	PU
A171-014/7	14X24X6	14	24	6	7	4,5	PU
A171-014	14X24X8	14	24	8	9	4,5	PU
A171-014/4	14X28X7	14	28	7	8	5,5	PU
A171-014/8	14X28X10	14	28	10	11	5,5	PU
A171-014/2	14X32X8	14	32	8	9	6	PU
A171-014/14	14,5X18X3,75	14,5	18	3,75	4,25	2	PU
A171-015/3	15X20X3	15	20	3	3,5	2,5	PU
A171-015/4	15X21X3,5	15	21	3,5	4	3	PU
A171-015/16	15X21X5	15	21	5	6	3	PU
A171-015/15	15X21,5X4,5	15	21,5	4,5	5	3	PU
A171-015/13	15X22X4	15	22	4	4,5	3,5	PU
A171-015/11	15X22X5	15	22	5	6	3,5	PU
A171-015/1	15X22X5,5	15	22	5,5	6,5	3,5	PU
A171-015/2	15X22X8	15	22	8	9	3,5	PU
A171-015/12	15X25X5	15	25	5	6	4,5	PU
A171-015/14	15X25X6	15	25	6	7	4,5	PU
A171-015	15X25X8	15	25	8	9	4,5	PU
A171-015/10	15X25X10	15	25	10	11	4,5	PU
A171-015/8	15X28X8	15	28	8	9	5	PU
A171-015/5	15X28X10	15	28	10	11	5	PU
A171-015/9	15X30X6	15	30	6	7	5,5	PU
A171-015/7	15X30X8	15	30	8	9	5,5	PU
A171-015/6	15X30X10	15	30	10	11	5,5	PU

A171





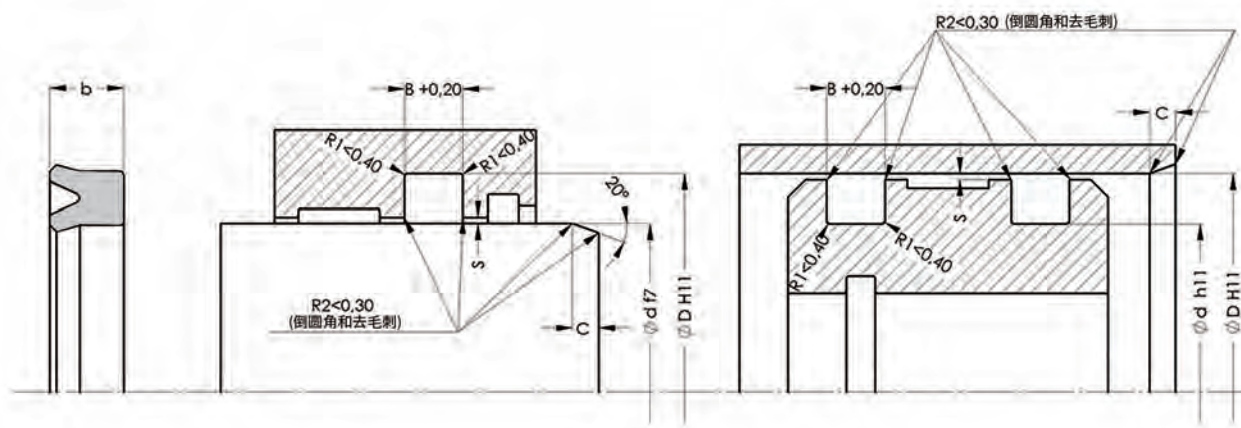
ALP 码 - Code	尺寸- Dimension	Ød	ØD	b	B	C	PU
A171-016/7	16X22X3	16	22	3	3,5	3	PU
A171-016/10	16X22X4	16	22	4	4,5	3	PU
A171-016/1	16X22X5	16	22	5	6	3	PU
A171-016/16	16X22X7	16	22	7	8	3	PU
A171-016/4	16X22X10	16	22	10	11	3	PU
A171-016/14	16X24X4	16	24	4	4,5	4	PU
A171-016/11	16X24X5	16	24	5	6	4	PU
A171-016/3	16X24X6	16	24	6	7	4	PU
A171-016/13	16X24X6,5	16	24	6,5	7,5	4	PU
A171-016/2	16X25X5	16	25	5	6	4	PU
A171-016/9	16X26X5	16	26	5	6	4,5	PU
A171-016/6	16X26X6	16	26	6	7	4,5	PU
A171-016	16X26X8	16	26	8	9	4,5	PU
A171-016/5	16X28X6	16	28	6	7	5	PU
A171-016/8	16X29X6	16	29	6	7	5	PU
A171-016/12	16X30X7	16	30	7	8	5,5	PU
A171-016/15	16X32X10	16	32	10	11	6	PU
A171-017/1	17X25X4	17	25	4	4,5	4	PU
A171-017/2	17X28X7	17	28	7	8	5	PU
A171-017	17X32X10	17	32	10	11	5,5	PU
A171-018/11	18X24X4	18	24	4	4,5	3	PU
A171-018/3	18X24X8	18	24	8	9	3	PU
A171-018/9	18X25X5	18	25	5	6	3,5	PU
A171-018/12	18X25X5,5	18	25	5,5	6,5	3,5	PU
A171-018/4	18X26X4	18	26	4	4,5	4	PU
A171-018/10	18X26X5	18	26	5	6	4	PU
A171-018/2	18X28X6	18	28	6	7	4,5	PU
A171-018	18X28X8	18	28	8	9	4,5	PU
A171-018/1	18X30X6	18	30	6	7	5	PU
A171-018/5	18X30X7,5	18	30	7,5	8,5	5	PU
A171-018/6	18X30X8,5	18	30	8,5	9,5	5	PU
A171-018/7	18X30X10	18	30	10	11	5	PU
A171-018/8	18X32X7	18	32	7	8	5,5	PU
A171-019	19X25X6	19	25	6	7	3	PU
A171-019/2	19X26X6,7	19	26	6,7	7,7	3,5	PU
A171-019/1	19,05X23,91X4,81	19,05	23,91	4,81	5,81	2	PU
A171-020/24	20X24X3	20	24	3	3,5	2	PU
A171-020/14	20X25X3	20	25	3	3,5	2,5	PU
A171-020/2	20X25X3,5	20	25	3,5	4	2,5	PU

A171

ALP 码 - Code	尺寸 - Dimension	Ød	ØD	b	B	C	PU
A171-020/32	20X25X5	20	25	5	6	2,5	PU
A171-020/33	20X26X4	20	26	4	4,5	3	PU
A171-020/28	20X26X5	20	26	5	6	3	PU
A171-020/27	20X26X6	20	26	6	7	3	PU
A171-020/4	20X27X6	20	27	6	7	3,5	PU
A171-020/13	20X28X4	20	28	4	4,5	4	PU
A171-020/1	20X28X5	20	28	5	6	4	PU
A171-020/31	20X28X5,5	20	28	5,5	6,5	4	PU
A171-020/8	20X28X6	20	28	6	7	4	PU
A171-020/25	20X28X8	20	28	8	9	4	PU
A171-020/3	20X30X4	20	30	4	4,5	4,5	PU
A171-020/9	20X30X5	20	30	5	6	4,5	PU
A171-020/6	20X30X6	20	30	6	7	4,5	PU
A171-020	20X30X8	20	30	8	9	4,5	PU
A171-020/10	20X30X10	20	30	10	11	4,5	PU
A171-020/11	20X32X5	20	32	5	6	5	PU
A171-020/7	20X32X6	20	32	6	7	5	PU
A171-020/5	20X32X7,5	20	32	7,5	8,5	5	PU
A171-020/26	20X32X8	20	32	8	9	5	PU
A171-020/18	20X32X11	20	32	11	12	5	PU
A171-020/29	20X35X7	20	35	7	8	5,5	PU
A171-020/20	20X35X10	20	35	10	11	5,5	PU
A171-020/19	20X35X12	20	35	12	13	5,5	PU
A171-020/23	20X36X8	20	36	8	9	6	PU
A171-020/15	20X36X10	20	36	10	11	6	PU
A171-020/12	20X36X12	20	36	12	13	6	PU
A171-020/22	20X40X9	20	40	9	10	6	PU
A171-020/21	20X40X10	20	40	10	11	6	PU
A171-020/16	20X40X12	20	40	12	13	6	PU
A171-020/30	20X42X12	20	42	12	13	6	PU
A171-022/2	22X30X5	22	30	5	6	4	PU
A171-022/9	22X30X6	22	30	6	7	4	PU
A171-022/15	22X30X8	22	30	8	9	4	PU
A171-022/6	22X30X10	22	30	10	11	4	PU
A171-022/5	22X32X5	22	32	5	6	4,5	PU
A171-022/12	22X32X6	22	32	6	7	4,5	PU
A171-022/1	22X32X7	22	32	7	8	4,5	PU
A171-022	22X32X8	22	32	8	9	4,5	PU
A171-022/4	22X32X10	22	32	10	11	4,5	PU
A171-022/17	22X33X5,5	22	33	5,5	6,5	5	PU
A171-022/8	22X34X6	22	34	6	7	5	PU
A171-022/11	22X34X10	22	34	10	11	5	PU
A171-022/3	22X38X10	22	38	10	11	6	PU
A171-022/13	22X40X10	22	40	10	11	6	PU
A171-022/10	22X42X10	22	42	10	11	6	PU
A171-022/7	22X46X12	22	46	12	13	7	PU
A171-022/16	22,4X30X5	22,4	30	5	6	3,5	PU
A171-022/14	22,4X32,4X8	22,4	32,4	8	9	4,5	PU
A171-023	23X35X7	23	35	7	8	5	PU
A171-023/1	23,5X31,5X5	23,5	31,5	5	6	4	PU
A171-024/1	24X32X4	24	32	4	4,5	4	PU
A171-024/4	24X32X5	24	32	5	6	4	PU
A171-024/3	24X32X8	24	32	8	9	4	PU
A171-024/5	24X34X4	24	34	4	4,5	4,5	PU

A171





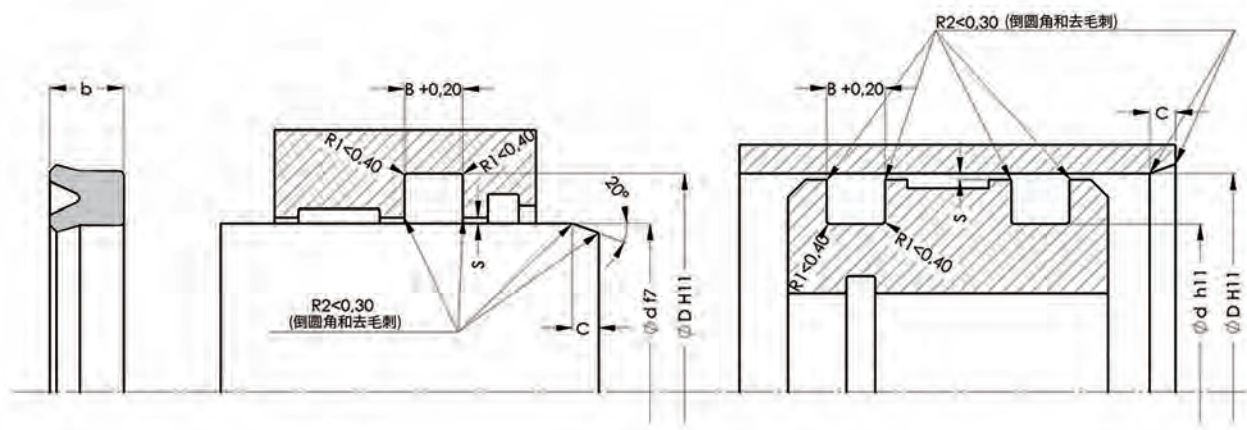
ALP 码 - Code	尺寸 - Dimension	Ød	ØD	b	B	C	PU
A171-024	24X34X5	24	34	5	6	4,5	PU
A171-024/2	24X40X8	24	40	8	9	6	PU
A171-024/6	24,5X32X5	24,5	32	5	6	3,5	PU
A171-025/5	25X32X4	25	32	4	4,5	3,5	PU
A171-025/18	25X32X7	25	32	7	8	3,5	PU
A171-025/1	25X33X4	25	33	4	4,5	4	PU
A171-025/9	25X33X5	25	33	5	6	4	PU
A171-025/21	25X33X5,5	25	33	5,5	6,5	4	PU
A171-025/20	25X33X6	25	33	6	7	4	PU
A171-025/19	25X33X6,5	25	33	6,5	7,5	4	PU
A171-025/6	25X33X7	25	33	7	8	4	PU
A171-025/12	25X35X5	25	35	5	6	4,5	PU
A171-025/8	25X35X6	25	35	6	7	4,5	PU
A171-025/13	25X35X7	25	35	7	8	4,5	PU
A171-025/14	25X35X8	25	35	8	9	4,5	PU
A171-025/10	25X35X10	25	35	10	11	4,5	PU
A171-025/11	25X36X6,9	25	36	6,9	7,9	5	PU
A171-025/15	25X37X7	25	37	7	8	5	PU
A171-025/24	25X38X6	25	38	6	7	5	PU
A171-025/2	25X38X7	25	38	7	8	5	PU
A171-025/16	25X38X9	25	38	9	10	5	PU
A171-025/3	25X38X10	25	38	10	11	5	PU
A171-025/22	25X40X7,5	25	40	7,5	8,5	5,5	PU
A171-025	25X40X10	25	40	10	11	5,5	PU
A171-025/7	25X40X11	25	40	11	12	5,5	PU
A171-025/17	25X45X10	25	45	10	11	6	PU
A171-025/4	25X50X12	25	50	12	13	7	PU
A171-025/23	25,4X31,75X6,35	25,4	31,75	6,35	7,35	3	PU
A171-026	26X42X8	26	42	8	9	6	PU
A171-027	27X35X4	27	35	4	4,5	4	PU
A171-027/2	27X36X6	27	36	6	7	4	PU
A171-027/1	27X38X6	27	38	6	7	5	PU
A171-028	28X32,8X3	28	32,8	3	3,5	2	PU
A171-028/21	28X33X3	28	33	3	3,5	2,5	PU
A171-028/16	28X33X6	28	33	6	7	2,5	PU
A171-028/19	28X35X5	28	35	5	6	3,5	PU
A171-028/9	28X35X6	28	35	6	7	3,5	PU
A171-028/18	28X35,5X5	28	35,5	5	6	3,5	PU
A171-028/5	28X36X4	28	36	4	4,5	4	PU

A171

ALP 码 - Code	尺寸 - Dimension	Ød	ØD	b	B	C	PU
A171-028/11	28X36X5	28	36	5	6	4	PU
A171-028/10	28X36X6	28	36	6	7	4	PU
A171-028/15	28X36X8	28	36	8	9	4	PU
A171-028/22	28X36X10	28	36	10	11	5	PU
A171-028/3	28X38X5	28	38	5	6	4,5	PU
A171-028/20	28X38X7	28	38	7	8	4,5	PU
A171-028/17	28X38X8	28	38	8	9	4,5	PU
A171-028/12	28X38X10	28	38	10	11	4,5	PU
A171-028/6	28X40X6	28	40	6	7	5	PU
A171-028/14	28X40X8	28	40	8	9	5	PU
A171-028/2	28X40X10	28	40	10	11	5	PU
A171-028/1	28X43X10	28	43	10	11	5,5	PU
A171-028/13	28X44X8	28	44	8	9	6	PU
A171-028/4	28X48X8,5	28	48	8,5	9,5	6	PU
A171-028/7	28X48X10	28	48	10	11	6	PU
A171-028/8	28X48X12	28	48	12	13	6	PU
A171-030/14	30X36X3	30	36	3	3,5	3	PU
A171-030/12	30X37X6	30	37	6	7	3,5	PU
A171-030/2	30X37X8	30	37	8	9	3,5	PU
A171-030/9	30X38X4	30	38	4	4,5	4	PU
A171-030/19	30X38X5	30	38	5	6	4	PU
A171-030/10	30X38X5,5	30	38	5,5	6,5	4	PU
A171-030/13	30X38X6	30	38	6	7	4	PU
A171-030/3	30X38X10	30	38	10	11	4	PU
A171-030/17	30X40X5	30	40	5	6	4,5	PU
A171-030/11	30X40X6	30	40	6	7	4,5	PU
A171-030/20	30X40X6,5	30	40	6,5	7,5	4,5	PU
A171-030/8	30X40X7	30	40	7	8	4,5	PU
A171-030/4	30X40X8	30	40	8	9	4,5	PU
A171-030/1	30X40X10	30	40	10	11	4,5	PU
A171-030/5	30X42X10	30	42	10	11	5	PU
A171-030/18	30X43X10	30	43	10	11	5	PU
A171-030/15	30X45X9	30	45	9	10	5,5	PU
A171-030	30X45X10	30	45	10	11	5,5	PU
A171-030/16	30X50X8	30	50	8	9	6	PU
A171-030/6	30X50X10	30	50	10	11	6	PU
A171-030/7	30X50X12	30	50	12	13	6	PU
A171-031	31,5X41,5X6	31,5	41,5	6	7	4,5	PU
A171-031/1	31,5X46,5X10,2	31,5	46,5	10,2	11,2	5,5	PU
A171-032/9	32X40X4	32	40	4	4,5	4	PU
A171-032/10	32X40X5	32	40	5	6	4	PU
A171-032/12	32X40X5,7	32	40	5,7	6,7	4	PU
A171-032/1	32X40X8	32	40	8	9	4	PU
A171-032/15	32X40X10	32	40	10	11	4	PU
A171-032/6	32X42X6	32	42	6	7	4,5	PU
A171-032/14	32X42X7	32	42	7	8	4,5	PU
A171-032/13	32X42X8	32	42	8	9	4,5	PU
A171-032/17	32X42X10	32	42	10	11	4,5	PU
A171-032/3	32X44X6	32	44	6	7	5	PU
A171-032/11	32X44X6,35	32	44	6,35	7,35	5	PU
A171-032/18	32X44X11,5	32	44	11,5	12,5	5	PU
A171-032/4	32X45X8	32	45	8	9	5	PU
A171-032/7	32X45X10	32	45	10	11	5	PU
A171-032	32X47X10	32	47	10	11	5,5	PU

A171





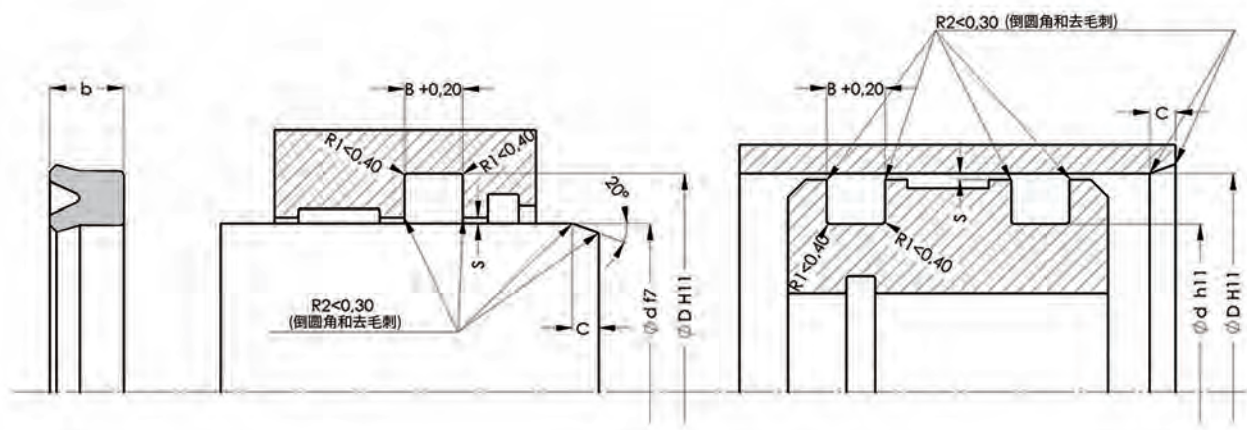
ALP 码 - Code	尺寸 - Dimension	Ød	ØD	b	B	C	PU
A171-032/5	32X48X10	32	48	10	11	6	PU
A171-032/16	32X50X10	32	50	10	11	6	PU
A171-032/8	32X50X12	32	50	12	13	6	PU
A171-032/2	32X52X10	32	52	10	11	6	PU
A171-033/2	33X40X4	33	40	4	4,5	3,5	PU
A171-033	33X43X6	33	43	6	7	4,5	PU
A171-033/1	33X43X10	33	43	10	11	4,5	PU
A171-033/3	33X45X10	33	45	10	11	5	PU
A171-034/2	34X42X10	34	42	10	11	5	PU
A171-034	34X44X5	34	44	5	6	4,5	PU
A171-034/1	34X44X9	34	44	9	10	4,5	PU
A171-035/16	35X42X4	35	42	4	4,5	3,5	PU
A171-035/1	35X43X6	35	43	6	7	4	PU
A171-035/17	35X43X7	35	43	7	8	4	PU
A171-035/2	35X45X6	35	45	6	7	4,5	PU
A171-035/11	35X45X7	35	45	7	8	4,5	PU
A171-035/10	35X45X8	35	45	8	9	4,5	PU
A171-035/5	35X45X10	35	45	10	11	4,5	PU
A171-035/13	35X46X8	35	46	8	9	5	PU
A171-035/3	35X47X6	35	47	6	7	5	PU
A171-035/14	35X48X8	35	48	8	9	5	PU
A171-035/15	35X48X10	35	48	10	11	5	PU
A171-035/4	35X50X7,5	35	50	7,5	8,5	5,5	PU
A171-035/9	35X50X8	35	50	8	9	5,5	PU
A171-035	35X50X10	35	50	10	11	5,5	PU
A171-035/8	35X52X12	35	52	12	13	6	PU
A171-035/6	35X55X10	35	55	10	11	6	PU
A171-035/7	35X55X12	35	55	12	13	6	PU
A171-035/12	35,5X45X6	35,5	45	6	7	4	PU
A171-036/8	36X43X6	36	43	6	7	3,5	PU
A171-036/6	36X44X4	36	44	4	4,5	4	PU
A171-036/11	36X44X5,7	36	44	5,7	6,7	4	PU
A171-036/12	36X44X8	36	44	8	9	4	PU
A171-036/7	36X46X5	36	46	5	6	4,5	PU
A171-036/5	36X46X6	36	46	6	7	4,5	PU
A171-036/3	36X46X7	36	46	7	8	4,5	PU
A171-036/9	36X46X8	36	46	8	9	4,5	PU
A171-036/4	36X48X6	36	48	6	7	5	PU
A171-036/10	36X48X10	36	48	10	11	5	PU

A171

ALP 码 - Code	尺寸- Dimension	Ød	ØD	b	B	C	PU
A171-036/2	36X50X8	36	50	8	9	5,5	PU
A171-036/1	36X51X7,1	36	51	7,1	8,1	5,5	PU
A171-036	36X51X10	36	51	10	11	5,5	PU
A171-038/10	38X45X5	38	45	5	6	5,5	PU
A171-038/11	38X45X6	38	45	6	7	3,5	PU
A171-038/14	38X45X9	38	45	9	10	3,5	PU
A171-038/8	38X48X6	38	48	6	7	4,5	PU
A171-038/12	38X48X7,5	38	48	7,5	8,5	4,5	PU
A171-038/13	38X48X8	38	48	8	9	4,5	PU
A171-038/3	38X50X6	38	50	6	7	5	PU
A171-038/7	38X50X9	38	50	9	10	5	PU
A171-038/4	38X50X10	38	50	10	11	5	PU
A171-038	38X52,5X9,5	38	52,5	9,5	10,5	5,5	PU
A171-038/1	38X55X10	38	55	10	11	6	PU
A171-038/2	38X58X10	38	58	10	11	6	PU
A171-038/9	38,1X47,62X6,35	38,1	47,62	6,35	7,35	4	PU
A171-038/5	38,1X50,8X6,35	38,1	50,8	6,35	7,35	5	PU
A171-038/6	38,1X50,8X7,14	38,1	50,8	7,14	8,14	5	PU
A171-039	39X58X10	39	58	10	11	6	PU
A171-040/17	40X48X8	40	48	8	9	4	PU
A171-040/23	40X48X10	40	48	10	11	4	PU
A171-040/6	40X48X11	40	48	11	12	4	PU
A171-040/2	40X50X5	40	50	5	6	4,5	PU
A171-040/1	40X50X6	40	50	6	7	4,5	PU
A171-040/27	40X50X6,5	40	50	6,5	7,5	4,5	PU
A171-040/14	40X50X7	40	50	7	8	4,5	PU
A171-040/3	40X50X8	40	50	8	9	4,5	PU
A171-040/13	40X50X9	40	50	9	10	4,5	PU
A171-040/9	40X50X10	40	50	10	11	4,5	PU
A171-040/21	40X50X11	40	50	11	12	4,5	PU
A171-040/8	40X52X6	40	52	6	7	5	PU
A171-040/26	40X52X8	40	52	8	9	5	PU
A171-040/25	40X52X10	40	52	10	11	5	PU
A171-040/10	40X52X12	40	52	12	13	5	PU
A171-040/7	40X55X7	40	55	7	8	5,5	PU
A171-040/20	40X55X8	40	55	8	9	5,5	PU
A171-040	40X55X10	40	55	10	11	5,5	PU
A171-040/19	40X55X10,5	40	55	10,5	11,5	5,5	PU
A171-040/24	40X55X12	40	55	12	13	5,5	PU
A171-040/16	40X56X6	40	56	6	7	6	PU
A171-040/5	40X56X8	40	56	8	9	6	PU
A171-040/15	40X56X10	40	56	10	11	6	PU
A171-040/18	40X59X10	40	59	10	11	6	PU
A171-040/11	40X60X10	40	60	10	11	6	PU
A171-040/12	40X60X12	40	60	12	13	6	PU
A171-040/4	40X65X10	40	65	10	11	7	PU
A171-040/22	40X65X12	40	65	12	13	7	PU
A171-042	42X50X5	42	50	5	6	4	PU
A171-042/6	42X50X6	42	50	6	7	4	PU
A171-042/3	42X50X8	42	50	8	9	4	PU
A171-042/4	42X51X11	42	51	11	12	4	PU
A171-042/7	42X52X7	42	52	7	8	4,5	PU
A171-042/5	42X52X10	42	52	10	11	4,5	PU
A171-042/8	42X53X10	42	53	10	11	5	PU

A171





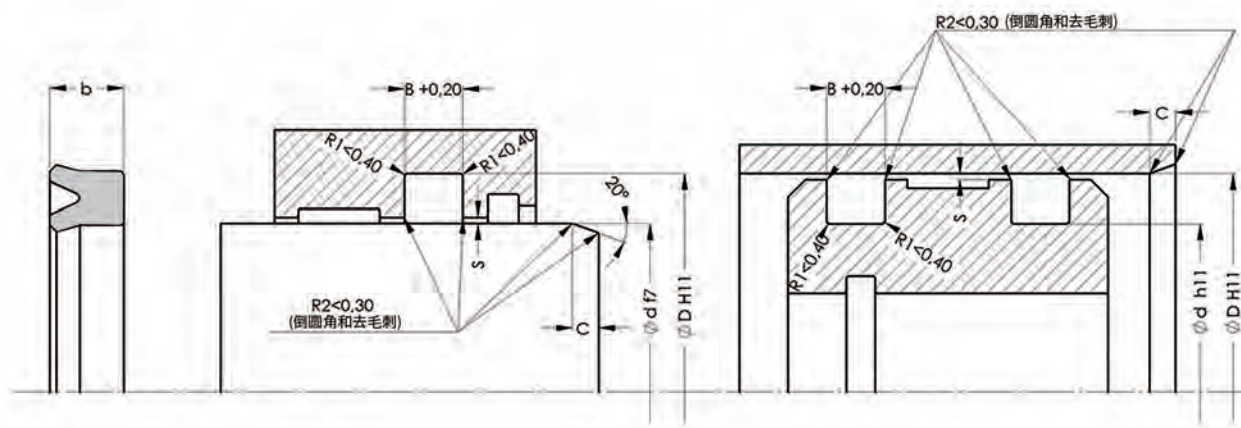
ALP 码 - Code	尺寸 - Dimension	Ød	ØD	b	B	C	PU
A171-042/10	42X55X8	42	55	8	9	5	PU
A171-042/2	42X57X8	42	57	8	9	5,5	PU
A171-042/1	42X62X12	42	62	12	13	6	PU
A171-042/9	42X63X10	42	63	10	11	6	PU
A171-043	43X63X10	43	63	10	11	6	PU
A171-044	44X57X9	44	57	9	10	5	PU
A171-045/1	45X53X7	45	53	7	8	4	PU
A171-045/11	45X53X8	45	53	8	9	4	PU
A171-045/18	45X53X10	45	53	10	11	4	PU
A171-045/10	45X55X6	45	55	6	7	4,5	PU
A171-045/14	45X55X7	45	55	7	8	4,5	PU
A171-045/13	45X55X8	45	55	8	9	4,5	PU
A171-045/2	45X55X10	45	55	10	11	4,5	PU
A171-045/17	45X56X7	45	56	7	8	5	PU
A171-045/19	45X56X8	45	56	8	9	5	PU
A171-045/5	45X57X6	45	57	6	7	5	PU
A171-045/4	45X58X10	45	58	10	11	5	PU
A171-045	45X60X10	45	60	10	11	5,5	PU
A171-045/12	45X62X6	45	62	6	7	6	PU
A171-045/3	45X63X10	45	63	10	11	6	PU
A171-045/6	45X63X12	45	63	12	13	6	PU
A171-045/7	45X65X10	45	65	10	11	6	PU
A171-045/8	45X65X12	45	65	12	13	6	PU
A171-045/9	45X70X12	45	70	12	13	7	PU
A171-046	46X70X12	46	70	12	13	7	PU
A171-047	47X65X12	47	65	12	13	6	PU
A171-047/2	47,62X57,15X6,35	47,62	57,15	6,35	7,35	4	PU
A171-047/1	47,62X63,5X11,5	47,62	63,5	11,5	12,5	6	PU
A171-048/3	48X58X6,5	48	58	6,5	7,5	4,5	PU
A171-048/8	48X58X10	48	58	10	11	4,5	PU
A171-048/5	48X60X6	48	60	6	7	5	PU
A171-048/1	48X60X9	48	60	9	10	5	PU
A171-048/9	48X60X10	48	60	10	11	5	PU
A171-048/6	48X63X10	48	63	10	11	5,5	PU
A171-048	48X63X12	48	63	12	13	5,5	PU
A171-048/4	48X68X10	48	68	10	11	6	PU
A171-048/2	48X68X12	48	68	12	13	6	PU
A171-050/7	50X57X10	50	57	10	11	3,5	PU
A171-050/3	50X58X8	50	58	8	9	4	PU

A171

ALP 码 - Code	尺寸 - Dimension	Ød	ØD	b	B	C	PU
A171-050/11	50X60X5	50	60	5	6	4,5	PU
A171-050/4	50X60X6	50	60	6	7	4,5	PU
A171-050/25	50X60X6,5	50	60	6,5	7,5	4,5	PU
A171-050/6	50X60X7	50	60	7	8	4,5	PU
A171-050/2	50X60X8	50	60	8	9	4,5	PU
A171-050/1	50X60X10	50	60	10	11	4,5	PU
A171-050/5	50X60X12	50	60	12	13	4,5	PU
A171-050/9	50X62X6	50	62	6	7	5	PU
A171-050/10	50X62X9	50	62	9	10	5	PU
A171-050/8	50X63X6	50	63	6	7	5	PU
A171-050/23	50X63X7	50	63	7	8	5	PU
A171-050/12	50X63X8	50	63	8	9	5	PU
A171-050/13	50X63X9	50	63	9	10	5	PU
A171-050/22	50X63X10	50	63	10	11	5	PU
A171-050/21	50X65X9	50	65	9	10	5,5	PU
A171-050	50X65X10	50	65	10	11	5,5	PU
A171-050/14	50X65X12	50	65	12	13	5,5	PU
A171-050/24	50X68X8	50	68	8	9	6	PU
A171-050/15	50X68X12	50	68	12	13	6	PU
A171-050/16	50X70X8	50	70	8	9	6	PU
A171-050/17	50X70X10	50	70	10	11	6	PU
A171-050/18	50X70X12	50	70	12	13	6	PU
A171-050/20	50,8X60,3X4,76	50,8	60,3	4,76	5,76	4	PU
A171-050/19	50,8X63,5X9,52	50,8	63,5	9,52	10,52	5	PU
A171-052/1	52X62X6	52	62	6	7	4,5	PU
A171-052/3	52X62X7	52	62	7	8	4,5	PU
A171-052/4	52X62X8	52	62	8	9	4,5	PU
A171-052	52X62X12	52	62	12	13	4,5	PU
A171-052/2	52X72X10	52	72	10	11	6	PU
A171-053/6	53X63X5	53	63	5	6	4,5	PU
A171-053/4	53X63X6	53	63	6	7	4,5	PU
A171-053/3	53X63X6,5	53	63	6,5	7,5	4,5	PU
A171-053/7	53X63X7	53	63	7	8	4,5	PU
A171-053/1	53X63X7,5	53	63	7,5	8,5	4,5	PU
A171-053/8	53X63X8	53	63	8	9	4,5	PU
A171-053	53X63X12	53	63	12	13	4,5	PU
A171-053/5	53X73X12	53	73	12	13	6	PU
A171-055/9	55X63X8	55	63	8	9	4	PU
A171-055/15	55X63X10	55	63	10	11	4	PU
A171-055/2	55X65X5	55	65	5	6	4,5	PU
A171-055/10	55X65X6	55	65	6	7	4,5	PU
A171-055/16	55X65X6,5	55	65	6,5	7,5	4,5	PU
A171-055/14	55X65X8	55	65	8	9	4,5	PU
A171-055/8	55X65X10	55	65	10	11	4,5	PU
A171-055/1	55X65X12	55	65	12	13	4,5	PU
A171-055/11	55X67X10	55	67	10	11	5	PU
A171-055/3	55X70X7,5	55	70	7,5	8,5	5,5	PU
A171-055/4	55X70X10	55	70	10	11	5,5	PU
A171-055/5	55X70X12	55	70	12	13	5,5	PU
A171-055/12	55X75X10	55	75	10	11	6	PU
A171-055	55X75X12	55	75	12	13	6	PU
A171-055/13	55X80X10	55	80	10	11	7	PU
A171-055/7	55X80X12	55	80	12	13	7	PU
A171-055/6	55X80X15	55	80	15	16	7	PU

A171





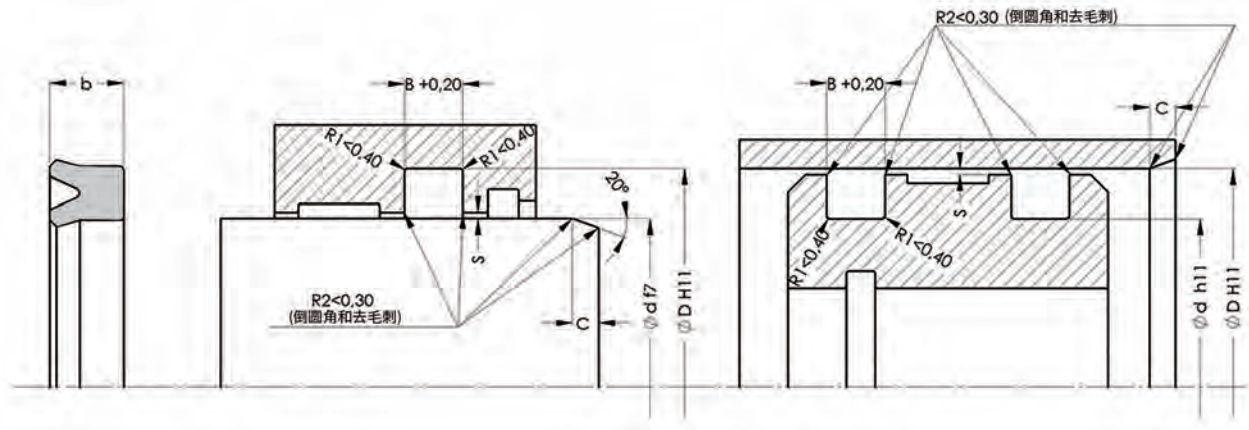
ALP 码 - Code	大小 - Dimension	Ød	ØD	b	B	C	PU
A171-056/3	56X66X5	56	66	5	6	4,5	PU
A171-056/5	56X66X6	56	66	6	7	4,5	PU
A171-056/6	56X66X10	56	66	10	11	4,5	PU
A171-056/4	56X70X12	56	70	12	13	5,5	PU
A171-056/2	56X71X10	56	71	10	11	5,5	PU
A171-056	56X76X12	56	76	12	13	6	PU
A171-056/1	56X80X15	56	80	15	16	7	PU
A171-057	57,15X69,85X10	57,15	69,85	10	11	5	PU
A171-057/1	57,15X76,2X10	57,15	76,2	10	11	6	PU
A171-058/1	58X68X6	58	68	6	7	4,5	PU
A171-058	58X70X6	58	70	6	7	5	PU
A171-060/10	60X68X8	60	68	8	9	4	PU
A171-060/8	60X70X5	60	70	5	6	4,5	PU
A171-060/5	60X70X6	60	70	6	7	4,5	PU
A171-060/6	60X70X7	60	70	7	8	4,5	PU
A171-060/9	60X70X10	60	70	10	11	4,5	PU
A171-060/2	60X70X12	60	70	12	13	4,5	PU
A171-060/4	60X70X13	60	70	13	14	4,5	PU
A171-060/12	60X71X7	60	71	7	8	5	PU
A171-060/7	60X75X10	60	75	10	11	5,5	PU
A171-060/3	60X75X12	60	75	12	13	5,5	PU
A171-060/1	60X80X10	60	80	10	11	6	PU
A171-060	60X80X12	60	80	12	13	6	PU
A171-060/11	60X80X16	60	80	16	17	6	PU
A171-060/13	60,33X73,02X7,95	60,33	73,02	7,95	8,95	5	PU
A171-061/2	61X69X8	61	69	8	9	4	PU
A171-061/1	61X71X6	61	71	6	7	4,5	PU
A171-061	61X80X12	61	80	12	13	6	PU
A171-063/1	63X72X6	63	72	6	7	4	PU
A171-063/6	63X73X6	63	73	6	7	4,5	PU
A171-063/10	63X73X8	63	73	8	9	4,5	PU
A171-063/7	63X73X10	63	73	10	11	4,5	PU
A171-063/2	63X75X10	63	75	10	11	5	PU
A171-063/8	63X78X10	63	78	10	11	5,5	PU
A171-063	63X83X12	63	83	12	13	6	PU
A171-063/9	63,5X76,2X7,92	63,5	76,2	7,92	8,92	5	PU
A171-063/5	63,5X76,2X9,52	63,5	76,2	9,52	10,52	5	PU
A171-063/4	63,5X76,2X10,5	63,5	76,2	10,5	11,5	5	PU
A171-063/3	63,5X82,55X14,28	63,5	82,55	14,28	15,28	6	PU

A171

ALP 码 - Code	大小 - Dimension	Ød	ØD	b	B	C	PU
A171-065/6	65X75X6	65	75	6	7	4,5	PU
A171-065/5	65X75X10	65	75	10	11	4,5	PU
A171-065/8	65X75X12	65	75	12	13	4,5	PU
A171-065/9	65X80X10	65	80	10	11	5,5	PU
A171-065/12	65X80X11	65	80	11	12	5,5	PU
A171-065/1	65X80X12	65	80	12	13	5,5	PU
A171-065/10	65X85X10	65	85	10	11	6	PU
A171-065	65X85X12	65	85	12	13	6	PU
A171-065/2	65X90X8	65	90	8	9	7	PU
A171-065/11	65X90X12	65	90	12	13	7	PU
A171-065/3	65X90X13	65	90	13	14	7	PU
A171-065/4	65X90X15	65	90	15	16	7	PU
A171-066/1	66X76X6	66	76	6	7	4,5	PU
A171-066	66X77X6	66	77	6	7	5	PU
A171-067	67X77X6	67	77	6	7	4,5	PU
A171-068	68X76X9	68	76	9	10	4	PU
A171-068/2	68X78X10	68	78	10	11	4,5	PU
A171-068/1	68X80X12	68	80	12	13	5	PU
A171-070/8	70X78X9	70	78	9	10	4	PU
A171-070/6	70X80X5	70	80	5	6	4,5	PU
A171-070/4	70X80X5,5	70	80	5,5	6,5	4,5	PU
A171-070/12	70X80X6	70	80	6	7	4,5	PU
A171-070/9	70X80X6,7	70	80	6,7	7,7	4,5	PU
A171-070/7	70X80X7	70	80	7	8	4,5	PU
A171-070/2	70X80X8	70	80	8	9	4,5	PU
A171-070/14	70X80X10	70	80	10	11	4,5	PU
A171-070/1	70X80X12	70	80	12	13	4,5	PU
A171-070/10	70X82X9,7	70	82	9,7	10,7	5	PU
A171-070/20	70X82X10	70	82	10	11	5	PU
A171-070/13	70X84X10	70	84	10	11	5,5	PU
A171-070/11	70X85X6	70	85	6	7	5,5	PU
A171-070/17	70X85X7,5	70	85	7,5	8,5	5,5	PU
A171-070/16	70X85X8	70	85	8	9	5,5	PU
A171-070/19	70X85X9	70	85	9	10	5,5	PU
A171-070/15	70X85X10	70	85	10	11	5,5	PU
A171-070/3	70X85X12	70	85	12	13	5,5	PU
A171-070/5	70X90X10	70	90	10	11	6	PU
A171-070	70X90X12	70	90	12	13	6	PU
A171-070/18	70X90X15	70	90	15	16	6	PU
A171-071	71X80X6	71	80	6	7	4	PU
A171-072	72X90X10	72	90	10	11	6	PU
A171-075/5	75X85X6	75	85	6	7	4,5	PU
A171-075/4	75X85X7	75	85	7	8	4,5	PU
A171-075/8	75X85X10	75	85	10	11	4,5	PU
A171-075/1	75X85X12	75	85	12	13	4,5	PU
A171-075/6	75X90X9	75	90	9	10	5,5	PU
A171-075/3	75X90X10	75	90	10	11	5,5	PU
A171-075/2	75X90X12	75	90	12	13	5,5	PU
A171-075/7	75X95X10	75	95	10	11	6	PU
A171-075	75X95X12	75	95	12	13	6	PU
A171-076/2	76X84X8	76	84	8	9	4	PU
A171-076/1	76,2X88,9X9,52	76,2	88,9	9,52	10,52	5	PU
A171-076	76,2X95,25X10	76,2	95,25	10	11	6	PU
A171-080/10	80X90X5	80	90	5	6	4,5	PU

A171



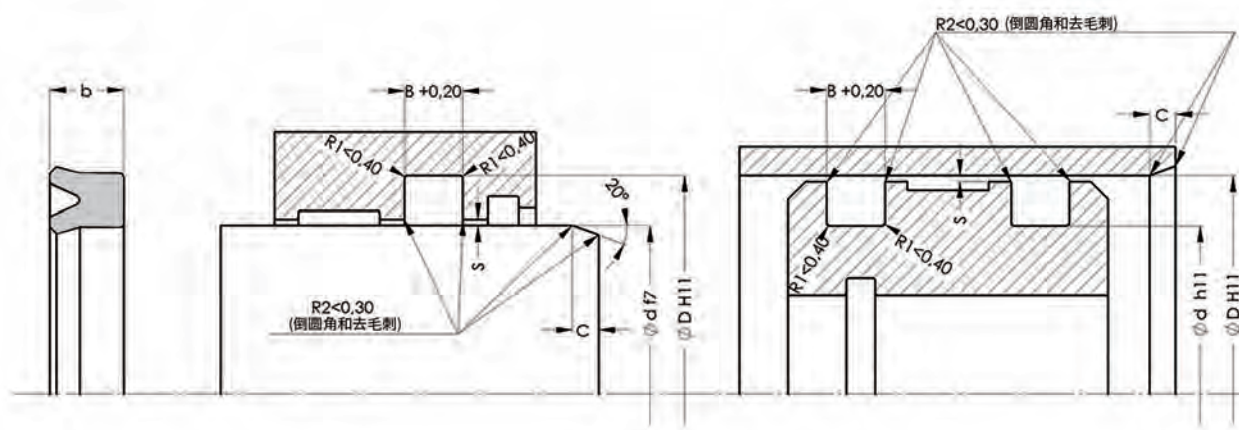


ALP 码 - Code	大小 - Dimension	Ød	ØD	b	B	C	PU
A171-080/1	80X90X5,4	80	90	5,4	6,4	4,5	PU
A171-080/6	80X90X6	80	90	6	7	4,5	PU
A171-080/13	80X90X7	80	90	7	8	4,5	PU
A171-080/16	80X90X9	80	90	9	10	4,5	PU
A171-080/2	80X90X10	80	90	10	11	4,5	PU
A171-080/11	80X90X11	80	90	11	12	4,5	PU
A171-080/7	80X90X12	80	90	12	13	4,5	PU
A171-080/17	80X92X10	80	92	10	11	5	PU
A171-080/3	80X95X8	80	95	8	9	5,5	PU
A171-080/4	80X95X9	80	95	9	10	5,5	PU
A171-080/12	80X95X10	80	95	10	11	5,5	PU
A171-080/5	80X95X12	80	95	12	13	5,5	PU
A171-080/8	80X100X10	80	100	10	11	6	PU
A171-080	80X100X12	80	100	12	13	6	PU
A171-080/14	80X100X15	80	100	15	16	6	PU
A171-080/9	80X105X10	80	105	10	11	7	PU
A171-080/15	80X105X15	80	105	15	16	7	PU
A171-082	82X92X10	82	92	10	11	4,5	PU
A171-082/3	82X95X10	82	95	10	11	5	PU
A171-082/1	82X102X10	82	102	10	11	6	PU
A171-082/2	82,55X101,6X14,8	82,55	101,6	14,8	15,8	6	PU
A171-085/10	85X95X6	85	95	6	7	4,5	PU
A171-085/2	85X95X9	85	95	9	10	4,5	PU
A171-085/7	85X95X10	85	95	10	11	4,5	PU
A171-085/4	85X100X9	85	100	9	10	5,5	PU
A171-085/8	85X100X10	85	100	10	11	5,5	PU
A171-085/6	85X100X12	85	100	12	13	5,5	PU
A171-085/5	85X100X25	85	100	25	26	5,5	PU
A171-085/1	85X102X9	85	102	9	10	6	PU
A171-085/11	85X105X10	85	105	10	11	6	PU
A171-085	85X105X12	85	105	12	13	6	PU
A171-085/9	85X105X15	85	105	15	16	6	PU
A171-085/3	85X110X12	85	110	12	13	7	PU
A171-086	86X96X6	86	96	6	7	4,5	PU
A171-088/3	88X98X6	88	98	6	7	4,5	PU
A171-088	88,8X100,5X9,5	88,8	100,5	9,5	10,5	5,5	PU
A171-088/1	88,8X103,35X12	88,8	103,35	12	13	5,5	PU
A171-088/2	88,9X107,95X12,7	88,9	107,95	12,7	13,7	6	PU
A171-090/13	90X100X5	90	100	5	6	4,5	PU

ALP 码 - Code	大小 - Dimension	Ød	ØD	b	B	C	PU
A171-090/9	90X100X6	90	100	6	7	4,5	PU
A171-090/1	90X100X6,8	90	100	6,8	7,8	4,5	PU
A171-090/4	90X100X8	90	100	8	9	4,5	PU
A171-090/10	90X100X10	90	100	10	11	4,5	PU
A171-090/12	90X100X12	90	100	12	13	4,5	PU
A171-090/3	90X105X9	90	105	9	10	5,5	PU
A171-090/11	90X105X10	90	105	10	11	5,5	PU
A171-090/8	90X105X12	90	105	12	13	5,5	PU
A171-090/5	90X110X10	90	110	10	11	6	PU
A171-090	90X110X12	90	110	12	13	6	PU
A171-090/6	90X110X15	90	110	15	16	6	PU
A171-090/7	90X115X12	90	115	12	13	7	PU
A171-090/2	90X120X15	90	120	15	16	7	PU
A171-095/4	95X110X9	95	110	9	10	5,5	PU
A171-095	95X110X10	95	110	10	11	5,5	PU
A171-095/5	95X110X12	95	110	12	13	5,5	PU
A171-095/1	95X115X12	95	115	12	13	6	PU
A171-095/2	95X115X15	95	115	15	16	6	PU
A171-095/3	95X120X12	95	120	12	13	7	PU
A171-095/6	95X125X15	95	125	15	16	7	PU
A171-096	96X105X11	96	105	11	12	4	PU
A171-098	98X112X9	98	112	9	10	5,5	PU
A171-100/5	100X110X5	100	110	5	6	4,5	PU
A171-100/7	100X110X8	100	110	8	9	4,5	PU
A171-100/4	100X113X12,5	100	113	12,5	13,5	5	PU
A171-100/9	100X115X9	100	115	9	10	5,5	PU
A171-100/10	100X115X10	100	115	10	11	5,5	PU
A171-100/8	100X115X12	100	115	12	13	5,5	PU
A171-100/11	100X115X13	100	115	13	14	5,5	PU
A171-100/12	100X120X10	100	120	10	11	6	PU
A171-100/1	100X120X12	100	120	12	13	6	PU
A171-100/2	100X120X15	100	120	15	16	6	PU
A171-100/13	100X125X12	100	125	12	13	7	PU
A171-100	100X125X15	100	125	15	16	7	PU
A171-100/6	100X130X15	100	130	15	16	7	PU
A171-100/3	100X130X18	100	130	18	19	7	PU
A171-101	101,5X114,3X9,5	101,5	114,3	9,5	10,5	5	PU
A171-101/1	101,6X127X19,5	101,6	127	19,5	20,5	7	PU
A171-105/7	105X115X12	105	115	12	13	4,5	PU
A171-105/1	105X120X8	105	120	8	9	5,5	PU
A171-105/8	105X120X9	105	120	9	10	5,5	PU
A171-105/10	105X120X11	105	120	11	12	5,5	PU
A171-105/3	105X120X12	105	120	12	13	5,5	PU
A171-105/4	105X120X15	105	120	15	16	5,5	PU
A171-105/9	105X125X10	105	125	10	11	6	PU
A171-105/5	105X125X12	105	125	12	13	6	PU
A171-105/6	105X125X15	105	125	15	16	6	PU
A171-105	105X130X15	105	130	15	16	7	PU
A171-105/2	105X130X18	105	130	18	19	7	PU
A171-106	106X120X8,5	106	120	8,5	9,5	5,5	PU
A171-106/1	106X120X9	106	120	9	10	5,5	PU
A171-107	107X130X15	107	130	15	16	7	PU
A171-110/1	110X120X8	110	120	8	9	4,5	PU
A171-110/9	110X125X9	110	125	9	10	5,5	PU

A171





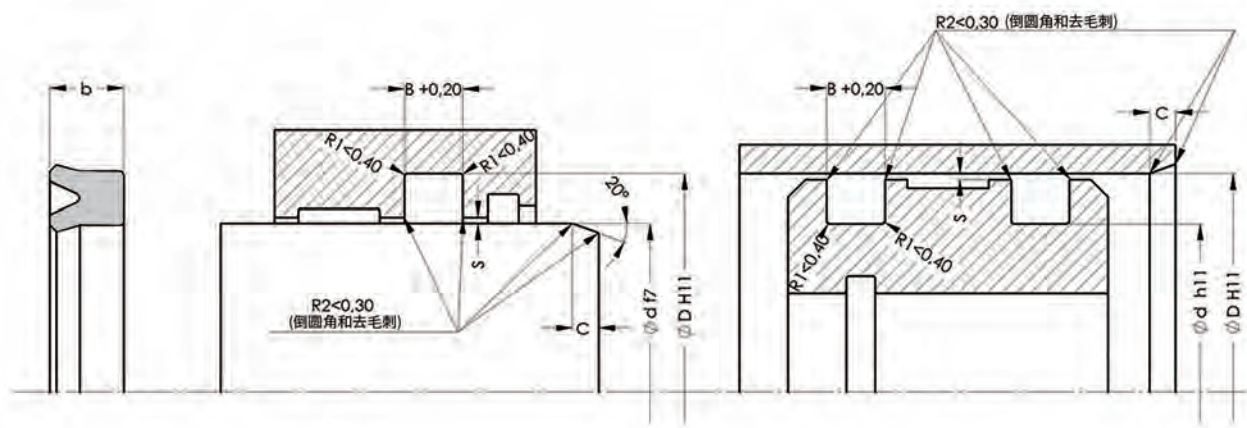
ALP 码 - Code	大小 - Dimension	Ød	ØD	b	B	C	PU
A171-110/3	110X125X12	110	125	12	13	5,5	PU
A171-110/4	110X130X10	110	130	10	11	6	PU
A171-110/7	110X130X11,5	110	130	11,5	12,5	6	PU
A171-110/6	110X130X12	110	130	12	13	6	PU
A171-110/5	110X130X15	110	130	15	16	6	PU
A171-110/8	110X130X18	110	130	18	19	6	PU
A171-110/10	110X135X12	110	135	12	13	7	PU
A171-110	110X135X18	110	135	18	19	7	PU
A171-110/2	110X140X18	110	140	18	19	7	PU
A171-112/1	112X125X8,5	112	125	8,5	9,5	5	PU
A171-112	112X125X9	112	125	9	10	5	PU
A171-114	114,80X125X5,70	114,8	125	5,7	6,7	4,5	PU
A171-115/1	115X125X8	115	125	8	9	4,5	PU
A171-115/7	115X125X12	115	125	12	13	4,5	PU
A171-115/4	115X125X15	115	125	15	16	4,5	PU
A171-115/5	115X130X9	115	130	9	10	5,5	PU
A171-115/3	115X130X10	115	130	10	11	5,5	PU
A171-115/10	115X130X15	115	130	15	16	5,5	PU
A171-115/2	115X135X15	115	135	15	16	6	PU
A171-115/6	115X140X15	115	140	15	16	7	PU
A171-115	115X140X18	115	140	18	19	7	PU
A171-115/9	115X145X12	115	145	12	13	7	PU
A171-115/8	115X145X15	115	145	15	16	7	PU
A171-118/1	118X132X8,5	118	132	8,5	9,5	5,5	PU
A171-118	118,07X127X5,9	118,07	127	5,9	6,9	4,5	PU
A171-120/7	120X128X6	120	128	6	7	4	PU
A171-120/5	120X130X7	120	130	7	8	4,5	PU
A171-120/2	120X132X10	120	132	10	11	5	PU
A171-120/9	120X135X9	120	135	9	10	5,5	PU
A171-120/10	120X135X15	120	135	15	16	5,5	PU
A171-120/4	120X140X10	120	140	10	11	6	PU
A171-120/8	120X140X12	120	140	12	13	6	PU
A171-120/6	120X140X15	120	140	15	16	6	PU
A171-120	120X145X18	120	145	18	19	7	PU
A171-120/1	120X150X15	120	150	15	16	7	PU
A171-120/3	120X150X18	120	150	18	19	7	PU
A171-125/6	125X140X8,5	125	140	8,5	9,5	5,5	PU
A171-125/5	125X140X9	125	140	9	10	5,5	PU
A171-125/2	125X140X11	125	140	11	12	5,5	PU

A171

ALP 码 - Code	大小 - Dimension	Ød	ØD	b	B	C	PU
A171-125/4	125X145X10	125	145	10	11	6	PU
A171-125/3	125X145X15	125	145	15	16	6	PU
A171-125/1	125X150X18	125	150	18	19	7	PU
A171-125/8	125X155X15	125	155	15	16	7	PU
A171-125	125X155X18	125	155	18	19	7	PU
A171-127/1	127X151X16	127	151	16	17	7	PU
A171-127/2	127X152,4X19,5	127	152,4	19,5	20,5	7	PU
A171-130/7	130X140X5	130	140	5	6	4,5	PU
A171-130/2	130X140X8	130	140	8	9	4,5	PU
A171-130/6	130X145X9	130	145	9	10	5,5	PU
A171-130	130X150X15	130	150	15	16	6	PU
A171-130/9	130X150X16	130	150	16	17	6	PU
A171-130/3	130X152X13	130	152	13	14	6	PU
A171-130/4	130X160X12	130	160	12	13	7	PU
A171-130/5	130X160X15	130	160	15	16	7	PU
A171-130/1	130X160X18	130	160	18	19	7	PU
A171-135/3	135X150X9	135	150	9	10	5,5	PU
A171-135/1	135X150X15	135	150	15	16	5,5	PU
A171-135/2	135X165X15	135	165	15	16	7	PU
A171-136	136X150X9	136	150	9	10	5,5	PU
A171-137,5	137,5X152X10,9	137,5	152	10,9	11,9	5,5	PU
A171-140/7	140X150X6	140	150	6	7	4,5	PU
A171-140/5	140X155X9	140	155	9	10	5,5	PU
A171-140/2	140X160X8	140	160	8	9	6	PU
A171-140/3	140X160X10	140	160	10	11	6	PU
A171-140/6	140X160X12	140	160	12	13	6	PU
A171-140/1	140X160X15	140	160	15	16	6	PU
A171-140/10	140X160X16	140	160	16	17	6	PU
A171-140/8	140X165X15	140	165	15	16	7	PU
A171-140/4	140X165X18	140	165	18	19	7	PU
A171-140	140X170X18	140	170	18	19	7	PU
A171-145	145X160X8	145	160	8	9	5,5	PU
A171-145/3	145X160X9	145	160	9	10	5,5	PU
A171-145/1	145X170X18	145	170	18	19	7	PU
A171-145/2	145X175X18	145	175	18	19	7	PU
A171-150/4	150X165X9	150	165	9	10	5,5	PU
A171-150/5	150X165X10	150	165	10	11	5,5	PU
A171-150/3	150X170X12	150	170	12	13	6	PU
A171-150/1	150X170X15	150	170	15	16	6	PU
A171-150/2	150X180X15	150	180	15	16	7	PU
A171-150	150X180X18	150	180	18	19	7	PU
A171-151	151X163X12,7	151	163	12,7	13,7	5,5	PU
A171-152	152,4X177,8X19,5	152,4	177,8	19,5	20,5	7	PU
A171-155/2	155X170X9	155	170	9	10	5,5	PU
A171-155	155X175X14	155	175	14	15	6	PU
A171-155/1	155X175X15	155	175	15	16	6	PU
A171-160/3	160X170X5	160	170	5	6	4,5	PU
A171-160/4	160X175X9	160	175	9	10	5,5	PU
A171-160/1	160X180X15	160	180	15	16	6	PU
A171-160/5	160X185X15	160	185	15	16	7	PU
A171-160	160X190X22	160	190	22	23	7	PU
A171-160/2	160X195X17	160	195	17	18	9	PU
A171-165/2	165X180X9	165	180	9	10	5,5	PU
A171-165	165X185X15	165	185	15	16	6	PU

A171





ALP 码 - Code	大小 - Dimension	Ød	ØD	b	B	C	PU
A171-165/1	165X195X20	165	195	20	21	7	PU
A171-168	168X180X14	168	180	14	15	5	PU
A171-170/5	170X185X9	170	185	9	10	5,5	PU
A171-170/4	170X190X10	170	190	10	11	6	PU
A171-170/2	170X190X15	170	190	15	16	6	PU
A171-170	170X200X15	170	200	15	16	7	PU
A171-170/1	170X200X22	170	200	22	23	7	PU
A171-175/4	175X190X9	175	190	9	10	5,5	PU
A171-175/3	175X195X15	175	195	15	16	6	PU
A171-175/2	175X200X15	175	200	15	16	7	PU
A171-175/1	175X200X16	175	200	16	17	7	PU
A171-175	175X215X20	175	215	20	21	9	PU
A171-177	177,8X203,2X22,7	177,8	203,2	22,7	23,7	7	PU
A171-180/3	180X200X12	180	200	12	13	6	PU
A171-180/1	180X200X15	180	200	15	16	6	PU
A171-180/2	180X205X15	180	205	15	16	7	PU
A171-180	180X210X22	180	210	22	23	7	PU
A171-185	185X195X12	185	195	12	13	4,5	PU
A171-185/1	185X200X9	185	200	9	10	5,5	PU
A171-190/3	190X210X12	190	210	12	13	6	PU
A171-190/1	190X210X15	190	210	15	16	6	PU
A171-190/2	190X215X20	190	215	20	21	7	PU
A171-190	190X220X25	190	220	25	26	7	PU
A171-200/6	200X220X12	200	220	12	13	6	PU
A171-200/3	200X220X15	200	220	15	16	6	PU
A171-200/7	200X220X16	200	220	16	17	6	PU
A171-200/5	200X225X18	200	225	18	19	7	PU
A171-200/8	200X230X15	200	230	15	16	7	PU
A171-200/4	200X230X18	200	230	18	19	7	PU
A171-200	200X230X22	200	230	22	23	7	PU
A171-200/2	200X235X20	200	235	20	21	9	PU
A171-200/1	200X240X20	200	240	20	21	9	PU
A171-204	204X224X12	204	224	12	13	6	PU
A171-210/3	210X230X12	210	230	12	13	6	PU
A171-210	210X230X15	210	230	15	16	6	PU
A171-210/2	210X235X15	210	235	15	16	7	PU
A171-210/1	210X240X18	210	240	18	19	7	PU
A171-215	215X245X18	215	245	18	19	7	PU
A171-220/3	220X240X12	220	240	12	13	6	PU

A171

ALP 码 - Code	大小 - Dimension	Ød	ØD	b	B	C	PU
A171-220/1	220X250X15	220	250	15	16	7	PU
A171-220/2	220X250X18	220	250	18	19	7	PU
A171-220	220X250X20	220	250	20	21	7	PU
A171-224	224X244X12	224	244	12	13	6	PU
A171-225/2	225X245X12	225	245	12	13	6	PU
A171-225	225X250X15	225	250	15	16	7	PU
A171-225/1	225X250X18	225	250	18	19	7	PU
A171-230/2	230X250X12	230	250	12	13	6	PU
A171-230	230X250X15	230	250	15	16	6	PU
A171-230/1	230X260X18	230	260	18	19	7	PU
A171-235	235X255X12	235	255	12	13	6	PU
A171-240/3	240X260X13	240	260	13	14	6	PU
A171-240	240X260X16	240	260	16	17	6	PU
A171-240/2	240X265X18	240	265	18	19	7	PU
A171-240/1	240X270X18	240	270	18	19	7	PU
A171-245	245X275X18	245	275	18	19	7	PU
A171-250/4	250X270X12	250	270	12	13	6	PU
A171-250	250X270X15	250	270	15	16	6	PU
A171-250/1	250X275X19	250	275	19	20	7	PU
A171-250/3	250X280X18	250	280	18	19	7	PU
A171-250/2	250X280X22	250	280	22	23	7	PU
A171-260/2	260X280X14	260	280	14	15	6	PU
A171-260/1	260X280X15	260	280	15	16	6	PU
A171-260	260X290X18	260	290	18	19	7	PU
A171-265	265X290X18	265	290	18	19	7	PU
A171-270/2	270X300X15	270	300	15	16	7	PU
A171-270	270X300X18	270	300	18	19	7	PU
A171-270/1	270X300X22	270	300	22	23	7	PU
A171-275	275X295X15	275	295	15	16	6	PU
A171-280/2	280X300X14	280	300	14	15	6	PU
A171-280	280X300X15	280	300	15	16	6	PU
A171-280/1	280X310X15	280	310	15	16	7	PU
A171-290	290X310X12	290	310	12	13	6	PU
A171-300	300X330X17	300	330	17	18	7	PU
A171-310	310X330X15	310	330	15	16	6	PU
A171-320	320X350X15	320	350	15	16	7	PU
A171-340	340X360X15	340	360	15	16	6	PU
A171-360	360X380X16	360	380	16	17	6	PU
A171-375	375X395X12	375	395	12	13	6	PU
A171-430	430X450X15	430	450	15	16	6	PU

A171



A172

A172 U型杆密封环的外密封唇设计较短,它只能用于活塞密封。

A172 piston nutrings are designed with a shorter outer sealing lip are produced only for in piston applications.

A172 U形环是特殊PU材料制成的,它可以安全地用于重型应用。

Thanks to endurance grade special PU material, A172 U-ring piston nutrings can be safely used in heavy duty applications.

技术参数 / TECHNICAL DATA

工作压力 / Working Pressure	400 Bar
工作温度 / Working Temperature	-35 +110°C
滑动速度 / Sliding Speed	0.5 m/sn
材料 / Material	95 PU
介质 / Media	矿物基液压油 / Mineral Base Hydraulic Oil

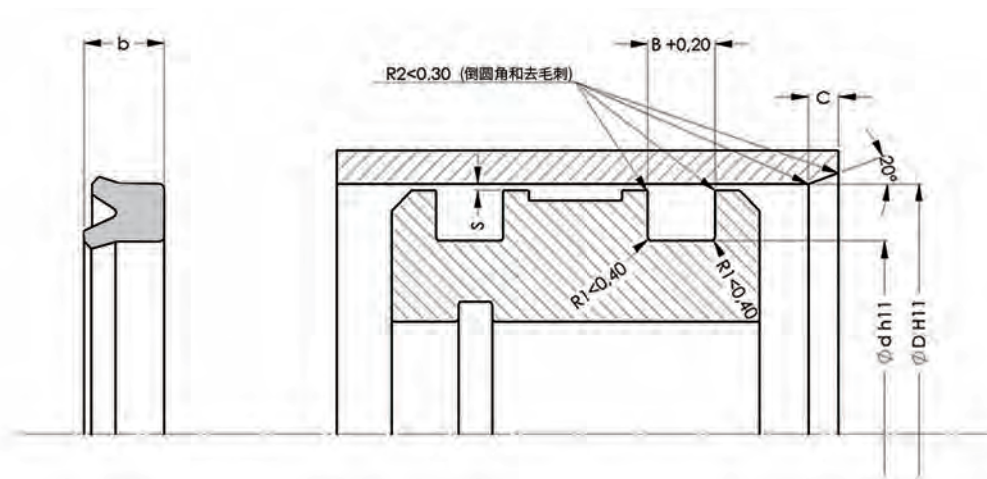
表面粗糙度 / Surface Roughness

	Ra	Rmax
动态表面 / Dynamic Surface	≤0.3 μm	≤3 μm
槽底部 / Groove Base	≤1.8 μm	≤10 μm
槽侧面 / Groove Flanks	≤3.2 μm	≤16 μm

PU 材料最大许允间隙 / Permissible Gap (max.) PU

横截面 / Cross Section	压力值 (巴) / Pressure (bar)		
	150	250	400
≤5	0.3	0.2	0.15
>5	0.35	0.25	0.2

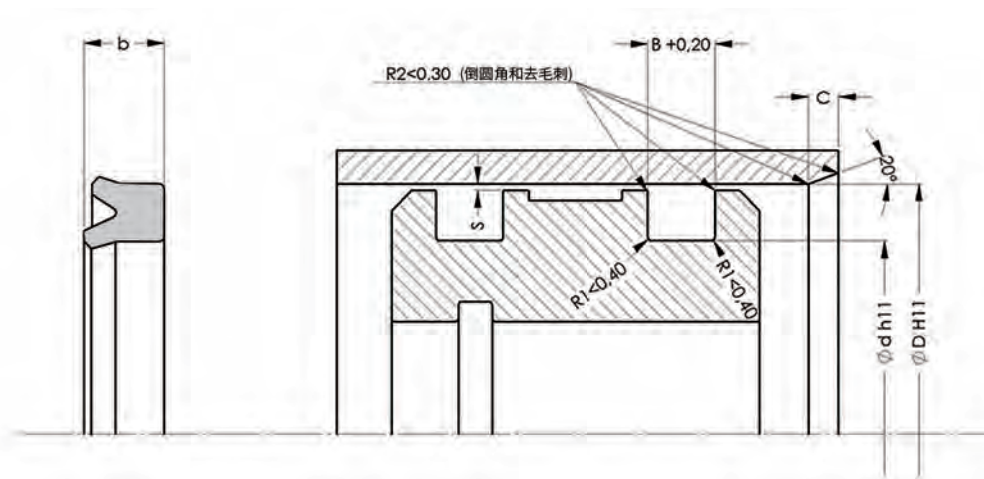




ALP 码 - Code	尺寸 - Dimension	ØD	Ød	b	B	C	PU
A172-012	12X7X2,55	12	7	2,55	3,05	2,5	PU
A172-016/2	16X6X7,5	16	6	7,5	8,5	4,5	PU
A172-016/4	16X6X8	16	6	8	9	4,5	PU
A172-016/1	16X6X10	16	6	10	11	4,5	PU
A172-016/3	16X8X5,5	16	8	5,5	6,5	4	PU
A172-016	16X10X4	16	10	4	4,5	3	PU
A172-019	19,05X12,7X3,17	19,05	12,7	3,17	3,67	3	PU
A172-020/1	20X12X5,5	20	12	5,5	6,5	4	PU
A172-020	20X14X5,5	20	14	5,5	6,5	3	PU
A172-022	22X13X7	22	13	7	8	4	PU
A172-022/1	22,22X12,7X6,35	22,22	12,7	6,35	7,35	4	PU
A172-025	25X17X5,5	25	17	5,5	6,5	4	PU
A172-026	26,99X17,46X6,35	26,99	17,46	6,35	7,35	4	PU
A172-028	28X16X9	28	16	9	10	5	PU
A172-030	30X22X5	30	22	5	6	4	PU
A172-031	31,75X19,05X6,35	31,75	19,05	6,35	7,35	5	PU
A172-032	32X24X5,5	32	24	5,5	6,5	4	PU
A172-034	34,92X22,22X6,35	34,92	22,22	6,35	7,35	5	PU
A172-035	35X25X6,5	35	25	6,5	7,5	4,5	PU
A172-036	36X28X7	36	28	7	8	4	PU
A172-037	37X21X12	37	21	12	13	5,5	PU
A172-038	38X28X7	38	28	7	8	4,5	PU
A172-039	39X32X5	39	32	5	6	3	PU
A172-039/1	39,69X26,99X6,35	39,69	26,99	6,35	7,35	5	PU
A172-040/1	40X30X6	40	30	6	7	4,5	PU
A172-040/2	40X30X7	40	30	7	8	4,5	PU
A172-043	43X35X9	43	35	9	10	4	PU
A172-045/2	45X35X6	45	35	6	7	4,5	PU
A172-045/1	45X37X7	45	37	7	8	4	PU
A172-045	45X38X6	45	38	6	7	3	PU
A172-050	50X39X4,2	50	39	4,2	4,7	5	PU
A172-050/4	50X40X5	50	40	5	6	4,5	PU
A172-050/6	50X40X6	50	40	6	7	4,5	PU
A172-050/3	50X40X7	50	40	7	8	4,5	PU
A172-050/2	50X42X10	50	42	10	11	4	PU
A172-050/5	50,8X41,27X7,14	50,8	41,27	7,14	8,14	4	PU
A172-054	54X44X7,3	54	44	7,3	8,3	4,5	PU
A172-055/3	55X45X6	55	45	6	7	4,5	PU
A172-055	55X45X7	55	45	7	8	4,5	PU

A172





ALP 码 - Code	尺寸 - Dimension	ØD	Ød	b	B	C	PU
A172-055/1	55X45X10	55	45	10	11	4,5	PU
A172-057	57,15X44,45X6,35	57,15	44,45	6,35	7,35	5	PU
A172-060/1	60X44X12	60	44	12	13	5,5	PU
A172-060/5	60X50X6	60	50	6	7	4,5	PU
A172-060/3	60X50X7	60	50	7	8	4,5	PU
A172-060/2	60X50X10	60	50	10	11	4,5	PU
A172-060/4	60,32X47,62X6,35	60,32	47,62	6,35	7,35	5	PU
A172-063/4	63X50X9	63	50	9	10	5	PU
A172-063	63X53X6	63	53	6	7	4,5	PU
A172-065/1	65X55X6	65	55	6	7	4,5	PU
A172-065	65X55X7	65	55	7	8	4,5	PU
A172-070/5	70X58X8,5	70	58	8,5	9,5	5	PU
A172-070/6	70X60X6	70	60	6	7	4,5	PU
A172-070	70X60X7	70	60	7	8	4,5	PU
A172-070/2	70X60X10	70	60	10	11	4,5	PU
A172-070/4	70X62X8	70	62	8	9	4	PU
A172-073	73,02X63,5X5,56	73,02	63,5	5,56	6,56	4	PU
A172-075/1	75X63X8,5	75	63	8,5	9,5	5	PU
A172-075	75X65X7,5	75	65	7,5	8,5	4,5	PU
A172-075/2	75X67X8,7	75	67	8,7	9,7	4	PU
A172-080	80X68X8,5	80	68	8,5	9,5	5	PU
A172-080/10	80X70X6	80	70	6	7	4,5	PU
A172-080/9	80X70X12	80	70	12	13	4,5	PU
A172-080/6	80X72X12	80	72	12	13	4	PU
A172-085	85X73X8,5	85	73	8,5	9,5	5	PU
A172-090	90X78X8,5	90	78	8,5	9,5	5	PU
A172-090/1	90X80X6	90	80	6	7	4,5	PU
A172-098	98,42X85,72X9,52	98,42	85,72	9,52	10,52	5	PU
A172-100	100X85X9	100	85	9	10	5,5	PU
A172-100/2	100X88X8,5	100	88	8,5	9,5	5	PU
A172-100/3	100X88X9,5	100	88	9,5	10,5	5	PU
A172-100/1	100X90X8,5	100	90	8,5	9,5	4,5	PU
A172-100/5	100X90X10,5	100	90	10,5	11,5	4,5	PU
A172-101/1	101,6X82,55X12,7	101,6	82,55	12,7	13,7	6	PU
A172-101	101,6X88,9X9,52	101,6	88,9	9,52	10,52	5	PU
A172-110/1	110X95X9	110	95	9	10	5,5	PU
A172-110	110X95X12	110	95	12	13	5,5	PU
A172-115	115X100X6	115	100	6	7	5,5	PU
A172-120/1	120X105X9	120	105	9	10	5,5	PU

A172

ALP 码 - Code	尺寸 - Dimension	ØD	Ød	b	B	C	PU
A172-120	120X105X10	120	105	10	11	5,5	PU
A172-125	125X105X12	125	105	12	13	6	PU
A172-125/3	125X110X10	125	110	10	11	5,5	PU
A172-125/4	125X112X9	125	112	9	10	5	PU
A172-130	130X110X12	130	110	12	13	6	PU
A172-130/1	130X115X9	130	115	9	10	5,5	PU
A172-140	140X120X16	140	120	16	17	6	PU
A172-140/1	140X125X9	140	125	9	10	5,5	PU
A172-145	145X130X10	145	130	10	11	5,5	PU
A172-149	149,22X136,52X9,52	149,22	136,52	9,52	10,52	5	PU
A172-150	150X135X8	150	135	8	9	5,5	PU
A172-150/1	150X135X9	150	135	9	10	5,5	PU
A172-160	160X140X14	160	140	14	15	6	PU
A172-160/2	160X145X9	160	145	9	10	5,5	PU
A172-160/1	160X145X10	160	145	10	11	5,5	PU
A172-170	170X148X15	170	148	15	16	6	PU
A172-170/1	170X155X9,5	170	155	9,5	10,5	5,5	PU
A172-180	180X160X9	180	160	9	10	6	PU
A172-180/3	180X160X12	180	160	12	13	6	PU
A172-180/1	180X160X14	180	160	14	15	6	PU
A172-180/4	180X160X15	180	160	15	16	6	PU
A172-180/2	180X165X9	180	165	9	10	5,5	PU
A172-200	200X175X16	200	175	16	17	7	PU
A172-200/2	200X180X12	200	180	12	13	6	PU
A172-200/1	200X180X14	200	180	14	15	6	PU
A172-220	220X195X16	220	195	16	17	7	PU
A172-250/3	250X230X12	250	230	12	13	6	PU
A172-250	250X230X14	250	230	14	15	6	PU
A172-250/2	250X230X15	250	230	15	16	6	PU
A172-320	320X296X24	320	296	24	25	7	PU

A172





A181

A181密封元件的内唇较短,可用于杆密封。

其特殊的外形增强了静态密封性能。

A181杆密封元件由标准的NBR材料制成,可以在重条件下用于杆密封。

A181 sealing elements are produced with shorter inner lips to be used in rod applications.

Its special profile enhances static sealing performance.

Standard A181 rod sealing elements are produced of NBR material and can be used under dirty and heavy conditions.

技术参数 / TECHNICAL DATA

工作压力 / Working Pressure	160 Bar
工作温度 / Working Temperature	-30 +105°C
滑动速度 / Sliding Speed	0.5 m/sn
材料 / Material	90 NBR
介质 / Media	矿物基液压油 / Mineral Base Hydraulic Oil

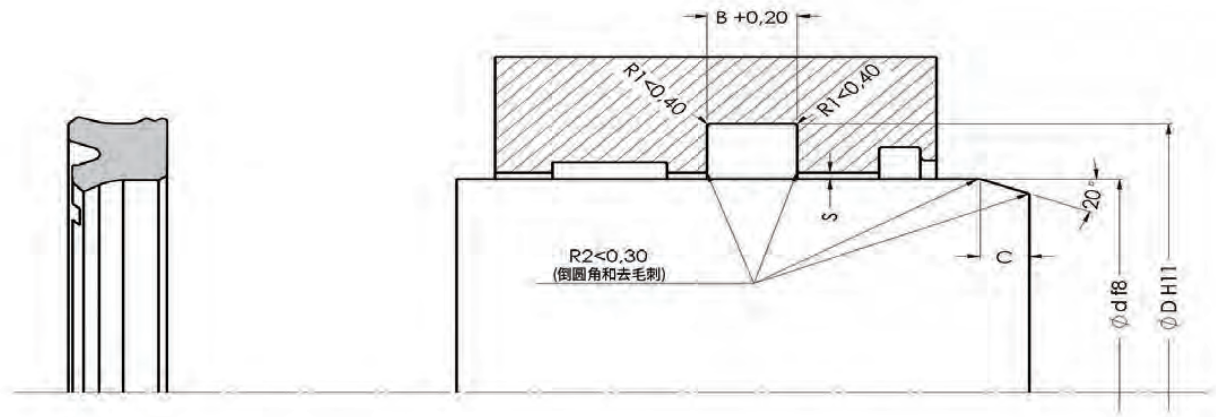
表面粗糙度 / Surface Roughness

	Ra	Rmax
动态表面 / Dynamic Surface	≤0.4 μm	≤3.2 μm
槽底部 / Groove Base	≤1.8 μm	≤10 μm
槽侧面 / Groove Flanks	≤3 μm	≤16 μm

NBR 材料最大允许间隙 / Permissible Gap (max.) NBR

横截面 / Cross Section	压力值 (巴) / Pressure (bar)		
	50	100	160
≤5	0.4	0.2	0.1
>5	0.45	0.25	0.15





ALP 码 - Code	尺寸 - Dimension	Ød	ØD	B	C
A181-040	40X50X7	40	50	8	4,5
A181-045	45X55X7	45	55	8	4,5
A181-050/1	50X63X7	50	63	8	5
A181-050	50X63X10	50	63	11	5
A181-055	55X68X10	55	68	11	5
A181-065	65X78X10	65	78	11	5
A181-070	70X83X10	70	83	11	5
A181-075	75X88X10	75	88	11	5
A181-080	80X93X10	80	93	11	5
A181-085	85X100X10	85	100	11	5,5
A181-090	90X105X10	90	105	11	5,5
A181-095	95X110X10,5	95	110	11,5	6
A181-100	100X115X10	100	115	11	5,5
A181-110/1	110X125X9	110	125	10	5,5
A181-110	110X130X10	110	130	11	6
A181-120	120X140X10	120	140	11	6
A181-140/1	140X160X10	140	160	11	6
A181-140	140X160X12	140	160	13	6
A181-180	180X200X12	180	200	13	6

A181



A209

A209缓冲件在液压缸中的首先应该作为密封元件组的第一顺序来使用。它们由高性能的PU和POM支持环组成。

A209 buffer seals are used as the first sealing element in hydraulic cylinders and rod. They consist of high performed PU and POM support ring.

A209缓冲环在使用时必须与其它密封元件一起使用。

A209 buffer seals must be combined with other sealing elements.

技术参数 / TECHNICAL DATA

工作压力 / Working Pressure	400 Bar
工作温度 / Working Temperature	-40 +100°C
滑动速度 / Sliding Speed	0.5 m/sn
材料 / Material	92 PU + POM
介质 / Media	矿物基液压油 / Mineral Base Hydraulic Oil

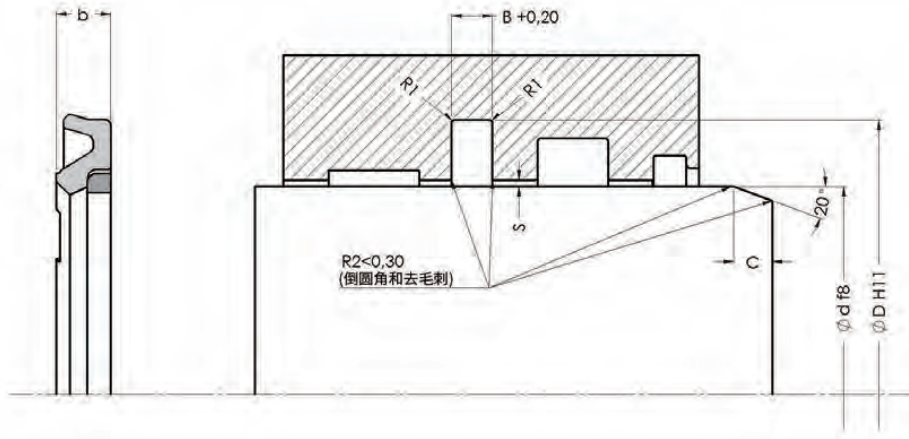
表面粗糙度 / Surface Roughness

	Ra	Rmax
动态表面 / Dynamic Surface	≤0.4 μm	≤ 3.2 μm
槽底部 / Groove Base	≤1.6 μm	≤ 6.3 μm
槽侧面 / Groove Flanks	≤3.2 μm	≤ 16 μm

材料最大许允间隙 / Permissible Gap (s max.)

S max (mm)	压力值 (巴) / Pressure (bar)		
	150	250	400
	0.6	0.5	0.4





ALP 码 - Code	尺寸 - Dimension	Ød	ØD	B	b	R1	C
A209-036	36X46,7X4,2	36	46,7	4,2	3,9	0,2	5
A209-038	38X48,7X4,2	38	48,7	4,2	3,9	0,2	5
A209-040	40X55,5X6,3	40	55,5	6,3	6	0,2	6
A209-045	45X60,5X6,3	45	60,5	6,3	6	0,2	6
A209-050	50X65,5X6,3	50	65,5	6,3	6	0,2	6
A209-055/1	55X65,7X4,2	55	65,7	4,2	3,9	0,2	6
A209-055	55X70,5X6,3	55	70,5	6,3	6	0,2	5
A209-060	60X75,5X6,3	60	75,5	6,3	6	0,2	6
A209-063	63X78,5X6,3	63	78,5	6,3	6	0,2	6
A209-065	65X80,5X6,3	65	80,5	6,3	6	0,2	6
A209-070	70X85,5X6,3	70	85,5	6,3	6	0,2	6
A209-075	75X90,5X6,3	75	90,5	6,3	6	0,2	6
A209-080	80X95,5X6,3	80	95,5	6,3	6	0,2	6
A209-085	85X100,5X6,3	85	100,5	6,3	6	0,2	6
A209-090	90X105,5X6,3	90	105,5	6,3	6	0,2	6
A209-095	95X110,5X6,3	95	110,5	6,3	6	0,2	6
A209-100	100X115,5X6,3	100	115,5	6,3	6	0,2	6
A209-105	105X120,5X6,3	105	120,5	6,3	6	0,2	6
A209-110	110X125,5X6,3	110	125,5	6,3	6	0,2	6
A209-115	115X130,5X6,3	115	130,5	6,3	6	0,2	6
A209-120	120X135,5X6,3	120	135,5	6,3	6	0,2	6
A209-125	125X140,5X6,3	125	140,5	6,3	6	0,2	6
A209-130	130X145,5X6,3	130	145,5	6,3	6	0,2	6
A209-140	140X155,5X6,3	140	155,5	6,3	6	0,2	6
A209-150	150X165,5X6,3	150	165,5	6,3	6	0,2	6
A209-160	160X175,5X6,3	160	175,5	6,3	6	0,2	6
A209-170	170X185,5X6,3	170	185,5	6,3	6	0,2	6
A209-180	180X195,5X6,3	180	195,5	6,3	6	0,2	6

A209





A269

A269 缓冲螺母在液压缸的杆中用作第一密封元件。它们由高性能PU和POM支撑环组成。

A269 buffer nuttings are used as the first sealing element in hydraulic cylinders and rod. They consist of high performance PU and POM support ring.

A269 缓冲环在使用时必须与其他密封件一起使用。

A269 buffer seals must be combined with other sealing elements.

A269 缓冲密封件是特殊PU材料制成的,它可以安全地用于重型应用。

Thanks to endurance grade special PU material, A269 buffer seals can be safely used in heavy duty applications.

技术参数 / TECHNICAL DATA

工作压力 / Working Pressure	400 Bar
工作温度 / Working Temperature	-30 +100°C
滑动速度 / Sliding Speed	0.5 m/sn
材料 / Material	95 PU + POM
介质 / Media	矿物基液压油 / Mineral Base Hydraulic Oil

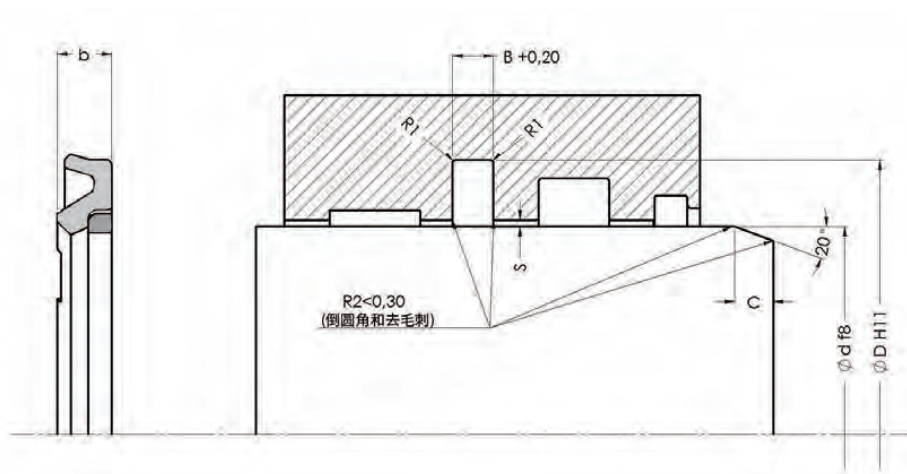
表面粗糙度 / Surface Roughness

	Ra	Rmax
动态表面 / Dynamic Surface	≤0.4 μm	≤3.2 μm
槽底部 / Groove Base	≤1.6 μm	≤6.3 μm
槽侧面 / Groove Flanks	≤3.2 μm	≤16 μm

PU 材料最大允许间隙 / Permissible Gap (max.) for PU

横截面 / Cross Section	压力值 (巴) / Pressure (bar)		
	150	250	400
S max (mm)	0.6	0.5	0.4





ALP 码 - Code	尺寸 - Dimension	Ød	ØD	B	b	R1	C
A269-036	36X46,7X4,2	36	46,7	4,2	3,9	0,2	5
A269-038	38X48,7X4,2	38	48,7	4,2	3,9	0,2	5
A269-040	40X55,5X6,3	40	55,5	6,3	6	0,2	6
A269-045	45X60,5X6,3	45	60,5	6,3	6	0,2	6
A269-050	50X65,5X6,3	50	65,5	6,3	6	0,2	6
A269-055/1	55X65,7X4,2	55	65,7	4,2	3,9	0,2	5
A269-055	55X70,5X6,3	55	70,5	6,3	6	0,2	6
A269-060	60X75,5X6,3	60	75,5	6,3	6	0,2	6
A269-063	63X78,5X6,3	63	78,5	6,3	6	0,2	6
A269-065	65X80,5X6,3	65	80,5	6,3	6	0,2	6
A269-070	70X85,5X6,3	70	85,5	6,3	6	0,2	6
A269-075	75X90,5X6,3	75	90,5	6,3	6	0,2	6
A269-080	80X95,5X6,3	80	95,5	6,3	6	0,2	6
A269-085	85X100,5X6,3	85	100,5	6,3	6	0,2	6
A269-090	90X105,5X6,3	90	105,5	6,3	6	0,2	6
A269-095	95X110,5X6,3	95	110,5	6,3	6	0,2	6
A269-100	100X115,5X6,3	100	115,5	6,3	6	0,2	6
A269-105	105X120,5X6,3	105	120,5	6,3	6	0,2	6
A269-110	110X125,5X6,3	110	125,5	6,3	6	0,2	6
A269-115	115X130,5X6,3	115	130,5	6,3	6	0,2	6
A269-120	120X135,5X6,3	120	135,5	6,3	6	0,2	6
A269-125	125X140,5X6,3	125	140,5	6,3	6	0,2	6
A269-130	130X145,5X6,3	130	145,5	6,3	6	0,2	6
A269-140	140X155,5X6,3	140	155,5	6,3	6	0,2	6
A269-150	150X165,5X6,3	150	165,5	6,3	6	0,2	6
A269-160	160X175,5X6,3	160	175,5	6,3	6	0,2	6
A269-170	170X185,5X6,3	170	185,5	6,3	6	0,2	6
A269-180	180X195,5X6,3	180	195,5	6,3	6	0,2	6

A269



A201 防尘圈
Wiper



A202 防尘圈
Wiper



A204 防尘圈
Wiper



A205 双唇防尘圈
Double Wiper



A206 重载防尘圈
Heavy Duty Wiper



A208 双唇防尘圈
Double Wiper



A211 重载刮刀密封圈
Heavy Duty Scraper Seal



A262 高性能双唇防尘圈
High Performance Wiper



A268 高性能双唇防尘圈
High Performance Double Wiper

防尘圈
Wipers





A201

由于特殊的外形, A201 PU防尘圈其防尘唇作用液压缸的外部, 是为了防止水和有害颗粒物进入液压缸系统而专门设计的。多用于室外。

Thanks to their special form, A201 PU wipers are designed to prevent the entry of unfavourable particles and water into the system of hydraulic cylinders, which function outside.

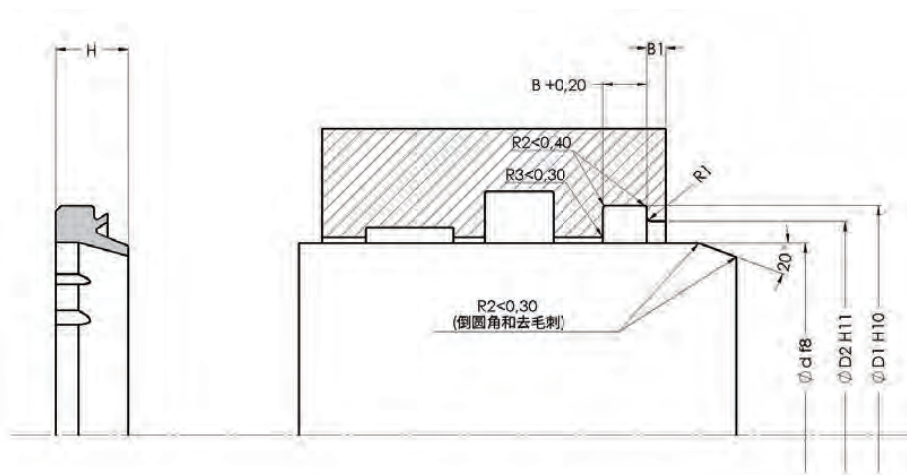
技术参数/ TECHNICAL DATA

工作温度 / Working Temperature	-40 +100°C
滑动速度 / Sliding Speed	1.00 m/sn
材料 / Material	92 PU

表面粗糙度 / Surface Roughness

	Ra	Rmax
动态表面 / Dynamic Surface	≤0.4 μm	≤3.2 μm
槽底部 / Groove Base	≤1.6 μm	≤10 μm
槽侧面 / Groove Flanks	≤3.2 μm	≤16 μm





ALP 码 - Code	尺寸- Dimension	Ød	ØD1	ØD2	B	B1	H
A201-020	20X28X7/4	20	28	26	4	2	7
A201-025	25X33X7/4	25	33	31	4	2	7
A201-035	35X43X7/4	35	43	41	4	2	7
A201-035/1	35X45X7/4	35	45	43	4	2	7
A201-036	36X44X7/4	36	44	42	4	2	7
A201-040	40X48X7/4	40	48	46	4	2	7
A201-045	45X53X7/4	45	53	51	4	2	7
A201-050	50X58X7/4	50	58	56	4	2	7
A201-060	60X68X7/4	60	68	66	4	2	7
A201-065	65X73X7/4	65	73	71	4	2	7
A201-070	70X78X7/4	70	78	76	4	2	7
A201-070/1	70X80X9/6	70	80	77	6,3	2	9
A201-080	80X88X7/4	80	88	86	4	2	7

A201





A202

A202防尘圈使用范围广,主要是为防止有害颗粒物进入液压缸系统内。

A202 wipers, which have a widespread use, are designed to prevent the entry of unfavourable particles into the system of hydraulic cylinders.

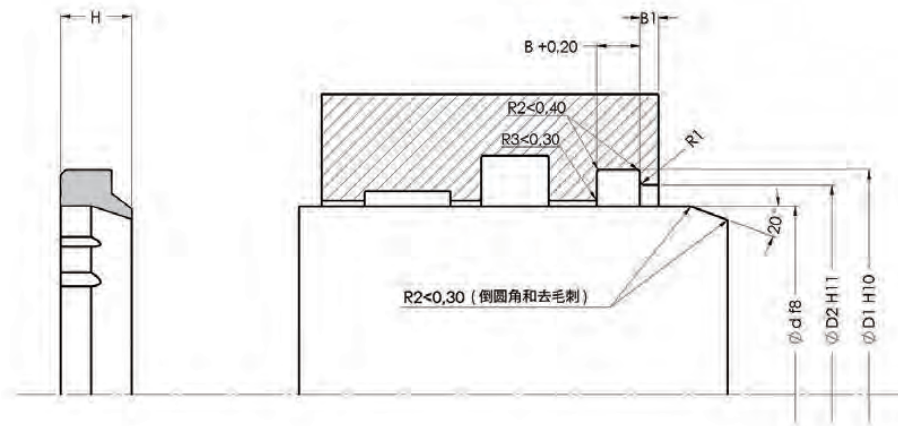
技术参数 / TECHNICAL DATA

标准材料 / Standard Materials	NBR	PU
工作温度 / Working Temperature	-30 +105°C	-40 +100°C
滑动速度 / Sliding Speed	1.00 m/sn	1.00 m/sn
材料 / Material	90 NBR	92 PU

表面粗糙度 / Surface Roughness

	Ra	Rmax
动态表面 / Dynamic Surface	≤0.4 μm	≤3.2 μm
槽底部 / Groove Base	≤1.6 μm	≤10 μm
槽侧面 / Groove Flanks	≤3.2 μm	≤16 μm

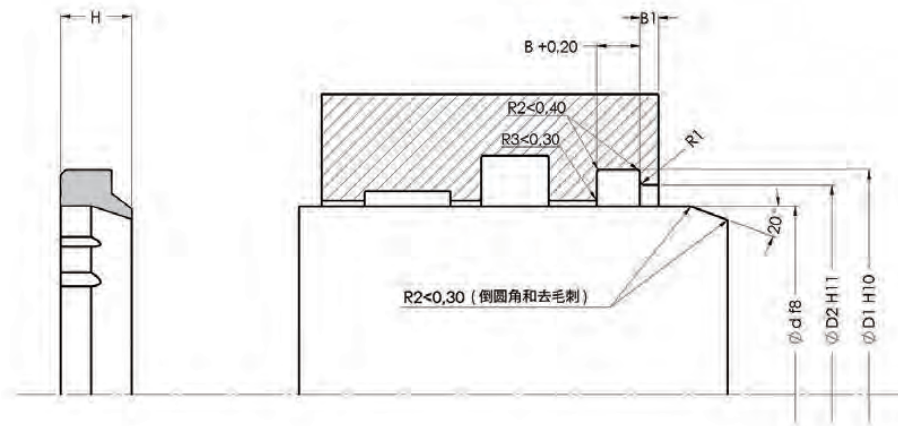




ALP 码 - Code	尺寸- Dimension	Ød	ØD	ØD1	ØD2	B	B1	H	R1	NBR	PU
A202-008	8X14X5/3	8	14	14,6	11	3,3	1,5	5	1	NBR	PU
A202-008/1	8X14,6X4,5/3,8	8	14,6	14,6	11	3,8	1	4,5	1	NBR	PU
A202-010/1	10X14X3/2	10	14	14,2	12,8	2,3	1	3	1	NBR	PU
A202-010/2	10X17X4/3	10	17	17	14	3,3	1	4	1	NBR	PU
A202-010	10X18X8/5	10	18	18	12,4	5,3	3	8	1	NBR	PU
A202-012/1	12X16X4,5/3	12	16	16	14,5	3,2	1,5	4,5	1	NBR	PU
A202-012/3	12X18X5/3	12	18	18,6	15	3,3	1,5	5	1	NBR	PU
A202-012	12X18X5,5/3,4	12	18	18,6	14,4	3,7	1,5	5,5	1	NBR	PU
A202-012/2	12X18X5/3,5	12	18	18,6	14,4	3,8	1,5	5	1	NBR	PU
A202-014	14X18X3,3/2	14	18	18,6	16,5	2,3	1	3,3	1	NBR	PU
A202-014/1	14X20X5/3,5	14	20	20,6	17	3,8	1,5	5	1	NBR	PU
A202-015/2	15X21,6X5,5/3,8	15	21,6	21,6	18	3,8	1,5	5,5	1	NBR	PU
A202-015/3	15X21X5/3	15	21	21,8	18	3,3	1,5	5	1	NBR	PU
A202-015	15X21X5/3,5	15	21	21,8	18	3,8	1,5	5	1	NBR	PU
A202-015/1	15X27X7/5	15	27	27,3	18,5	5,3	1,5	7	1	NBR	PU
A202-016/4	16X22X5/3	16	22	22,6	19	3,3	1,5	5	1	NBR	PU
A202-016/1	16X22X5,5/3,4	16	22	22,6	19	3,7	1,5	5,5	1	NBR	PU
A202-016/2	16X22X5/3,5	16	22	22,6	19	3,9	1,5	5	1	NBR	PU
A202-016	16X24X7/5	16	24	24,6	19	5,3	1,5	7	1	NBR	PU
A202-018/1	18X24X5/3,5	18	24	24	20,4	3,8	1,5	5	1	NBR	PU
A202-018/4	18X24X6/4,5	18	24	24	21	4,8	1,5	6	1	NBR	PU
A202-018/3	18X24,6X5/3,5	18	24,6	24,6	21	3,8	1,5	5	1	NBR	PU
A202-018/6	18X24X5,5/3,5	18	24	24,6	21	3,8	1,5	5,5	1	NBR	PU
A202-018/2	18X24X7/4,3	18	24	24,6	21	4,5	2	7	1	NBR	PU
A202-018	18X26X7/5	18	26	26,6	21	5,3	1,5	7	1	NBR	PU
A202-018/5	18X30X7/5	18	30	30,6	21	5,3	1,5	7	1	NBR	PU
A202-019/3	19X23,50X4,70/2,60	19	23,5	23,5	21,7	2,9	1,5	4,7	1	NBR	PU
A202-019/1	19X25X6/4	19	25	25	22	4,2	1,5	6	1	NBR	PU
A202-019/2	19X28X7/5	19	28	28,4	23	5,3	1,5	7	1	NBR	PU
A202-019	19,05X28,49X7,15/4,76	19,05	28,49	28,49	23,4	4,76	2	7,15	1	NBR	PU
A202-020/1	20X25X6/4	20	25	25	23	4,3	1,5	6	1	NBR	PU
A202-020/2	20X28,3X7/4,7	20	28,3	28,3	23,8	5	2	7	1	NBR	PU
A202-020	20X28X7/5	20	28	28,6	23	5,3	1,5	7	1	NBR	PU
A202-020/3	20X30X7/5	20	30	30	22,4	5,3	1,5	7	1	NBR	PU
A202-021	21X26X5/3,2	21	26	26	23,4	3,5	1,5	5	1	NBR	PU
A202-022	22X30X7/5	22	30	30,6	25	5,3	1,5	7	1	NBR	PU
A202-022/2	22,22X31,75X7,1/4,46	22,22	31,75	31,75	28,15	4,76	2	7,1	1	NBR	PU
A202-024	24X32X7/5	24	32	32,6	27	5,3	1,5	7	1	NBR	PU
A202-025/1	25X30X6,5/4,5	25	30	30	27,2	4,8	1,5	6,5	1	NBR	PU

A202





ALP 码 - Code	尺寸- Dimension	Ød	ØD	ØD1	ØD2	B	B1	H	R1	NBR	PU
A202-025	25X33X7/5	25	33	33,6	28	5,3	1,5	7	1	NBR	PU
A202-025/4	25,4X32,33X4,5/2,72	25,4	32,33	32,33	29,16	2,72	1,5	4,5	1	NBR	PU
A202-025/2	25,4X34,93X7,15/4,46	25,4	34,93	34,93	28,4	4,76	2	7,15	1	NBR	PU
A202-026	26X33X7/4	26	33	33,2	29	4,3	3	7	1	NBR	PU
A202-027	27X35X7/5	27	35	35	29,4	5,3	1,5	7	1	NBR	PU
A202-028/3	28X36X8/5	28	36	36	33,5	5	3	8	1	NBR	PU
A202-028/4	28X36X7/5	28	35,5	36	32	5,3	1,5	7	1	NBR	PU
A202-028	28X36X7/5	28	36	36,6	31	5,3	1,5	7	1	NBR	PU
A202-030	30X38X7/5	30	38	38,6	33	5,3	1,5	7	1	NBR	PU
A202-030/2	30X40X4/2,8	30	40	40,2	34,2	3,1	1	4	1	NBR	PU
A202-030/1	30X45X8/5	30	45	45	35,4	5,3	3	8	1	NBR	PU
A202-031	31,75X41,27X7,15/4,46	31,75	41,27	41,19	37,89	4,76	2	7,15	1	NBR	PU
A202-032/1	32X40X5/3,5	32	40	40,2	35	3,8	1,5	5	1	NBR	PU
A202-032	32X40X7/5	32	40	40,6	35	5,3	1,5	7	1	NBR	PU
A202-033	33X42X7/5	33	42	42	35,4	5,3	1,5	7	1	NBR	PU
A202-033/1	33X42,6X5,3/7	33	42,6	42,6	36	5,3	1,5	7	1	NBR	PU
A202-034	34,92X44,37X7,15/4,46	34,92	44,37	44,37	41,07	4,76	2	7,15	1	NBR	PU
A202-035/1	35X40X5/3,5	35	40	40,2	38	3,8	1,5	5	1	NBR	PU
A202-035	35X43X7/5	35	43	43,6	38	5,3	1,5	7	1	NBR	PU
A202-035/4	35X45X7/5	35	45	45	38	5,3	1,5	7	1	NBR	PU
A202-035/3	35X47X7/4	35	47	47,2	38	4,3	3	7	1	NBR	PU
A202-035/2	35X47X7/5	35	47	47,6	38	5,3	1,5	7	1	NBR	PU
A202-035/5	35,5X43,7X8/6	35,5	43,7	43,7	39,5	6	2	8	1	NBR	PU
A202-036	36X44X7/5	36	44	44,6	39	5,3	1,5	7	1	NBR	PU
A202-038/1	38X46X7/5	38	46	46,6	41	5,3	1,5	7	1	NBR	PU
A202-038/3	38X46X9/7	38	46	46,6	42,2	7,3	1,5	9	1	NBR	PU
A202-038	38,10X47,54X7,15/4,76	38,1	47,54	47,54	44,38	4,76	2	7,15	1	NBR	PU
A202-038/2	38,10X47,62X7/4,8	38,1	47,62	47,62	44,42	4,8	2	7	1	NBR	PU
A202-040/5	40X48X8/5	40	48	48	45,5	5	3	8	1	NBR	PU
A202-040/1	40X48X7/4	40	48	48,6	43	4,3	3	7	1	NBR	PU
A202-040	40X48X7/5	40	48	48,6	43	5,3	1,5	7	1	NBR	PU
A202-040/3	40X50X7/5	40	50	50,6	43	5,3	1,5	7	1	NBR	PU
A202-040/2	40X52X8/5	40	52	52,2	46	5,3	3	8	1	NBR	PU
A202-040/4	40X52,2X8/6	40	52,2	52,2	46	6,3	1,5	8	1	NBR	PU
A202-042	42X50X7/5	42	50	50,6	45	5,3	1,5	7	1	NBR	PU
A202-044/1	44,45X51,56X7/4,82	44,45	51,56	51,56	46,99	4,82	2	7	1	NBR	PU
A202-044	44,45X53,97X7,15/4,76	44,45	53,97	53,97	50,67	4,76	2	7,15	1	NBR	PU
A202-045/1	45X53X7/5	45	53	53,6	48	5,3	1,5	7	1	NBR	PU
A202-045	45X55X7/5	45	55	55,6	48	5,3	1,5	7	1	NBR	PU

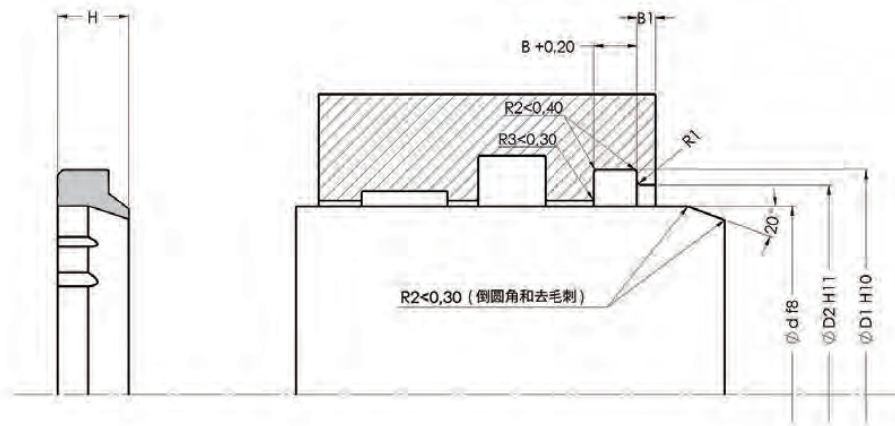
A202



ALP 码 - Code	尺寸- Dimension	Ød	ØD	ØD1	ØD2	B	B1	H	R1	NBR	PU
A202-046	46X54X7/5	46	54	54	48,4	5,3	1,5	7	1	NBR	PU
A202-046/1	46X54,6X7/5	46	54	54,6	49	5,3	1,5	7	1	NBR	PU
A202-048	48X56X7/5	48	56	56,6	51	5,3	1,5	7	1	NBR	PU
A202-050/1	50X58X6/4	50	58	58,6	53	4,3	1,5	6	1	NBR	PU
A202-050/2	50X58X7/5	50	58	58,6	53	5,3	1,5	7	1	NBR	PU
A202-050	50X60X7/5	50	60	60,6	53	5,3	1,5	7	1	NBR	PU
A202-050/4	50,8X58,42X5,08	50,8	58,42	58,42	53,34	5,08	1,5	7	1	NBR	PU
A202-050/3	50,8X63,5X9,52/6,35	50,8	63,5	63,5	57	6,35	3	9,52	1	NBR	PU
A202-053	53X61X7/5	53	61	61,6	56,2	5,3	1,5	7	1	NBR	PU
A202-055/2	55X63X7/5	55	63	63,6	58	5,3	1,5	7	1	NBR	PU
A202-055	55X65X7/5	55	65	65,6	58	5,3	1,5	7	1	NBR	PU
A202-055/3	55X65X7/5	55	65	65,6	59	5,3	1,5	7	1	NBR	PU
A202-055/1	55X67X12/7	55	67	67,2	61	7,2	3	12	1	NBR	PU
A202-056/1	56X64X7/5	56	64	64,6	59	5,3	1,5	7	1	NBR	PU
A202-056	56X66X7/5	56	66	66,6	59	5,3	1,5	7	1	NBR	PU
A202-057	57,15X69,85X9,52/6,35	57,15	69,85	69,85	63,85	6,35	3	9,52	1	NBR	PU
A202-058	58X68X7/5	58	68	68,6	61	5,3	1,5	7	1	NBR	PU
A202-060/1	60X68X7/5	60	68	68,6	63	5,3	1,5	7	1	NBR	PU
A202-060/5	60X70X9/6	60	70	70	66	6	3	9	1	NBR	PU
A202-060/4	60X70X10/7	60	70	70,3	63	7,2	3	10	1	NBR	PU
A202-060	60X70X7/5	60	70	70,6	63	5,3	1,5	7	1	NBR	PU
A202-060/6	60X70,6X7/5,5	60	70,6	70,6	63	5,5	1,5	7	1	NBR	PU
A202-060/2	60X70X10/6	60	70	70,6	63	6,3	3	10	1	NBR	PU
A202-060/3	60,32X73,02X9,52/6,12	60,32	73,02	73,02	67,42	6,42	3	9,52	1	NBR	PU
A202-063/1	63X71X7/5	63	71	71,6	66	5,3	1,5	7	1	NBR	PU
A202-063	63X73X7/5	63	73	73,6	66	5,3	1,5	7	1	NBR	PU
A202-063/3	63X75,20X9/7	63	75,2	75,8	66	7,2	1,5	9	1	NBR	PU
A202-063/2	63,5X76,12X9,52/6,35	63,5	76,12	76,12	70,2	6,35	3	9,52	1	NBR	PU
A202-065/2	65X73X7/5	65	73	73,6	68	5,3	1,5	7	1	NBR	PU
A202-065/3	65X75X10/6,3	65	75	75	72	6,3	3	10	1	NBR	PU
A202-065	65X75X7/5	65	75	75,6	68	5,3	1,5	7	1	NBR	PU
A202-065/1	65X77X12/7	65	77	77,2	71	7,2	3	12	1	NBR	PU
A202-069	69,72X79,62X6,35/4,46	69,72	79,62	79,62	73,22	4,76	1,5	6,35	1	NBR	PU
A202-070/1	70X78X7/5	70	78	78,6	73	5,3	1,5	7	1	NBR	PU
A202-070	70X80X7/5	70	80	80,6	73	5,3	1,5	7	1	NBR	PU
A202-070/2	70X80X10/7	70	80	80,6	73	7,2	3	10	1	NBR	PU
A202-070/6	70X82,2X12/7,2	70	82,2	82,2	76	7,2	3	12	1	NBR	PU
A202-070/3	70X82X12/7	70	82	82,6	76	7,2	3	12	1	NBR	PU
A202-070/5	70X85X10,5/6	70	85	85	77	6,3	3	10,5	1	NBR	PU
A202-073	73X81X7/5	73	81	81,6	76	5,3	1,5	7	1	NBR	PU
A202-075/1	75X83X7/5	75	83	83,2	78	5,3	1,5	7	1	NBR	PU
A202-075/4	75X85X9/5,7	75	85	85	80,4	6	3	9	1	NBR	PU
A202-075/5	75X85,6X7/5,3	75	85,6	85,6	79,8	5,3	1,5	7	1	NBR	PU
A202-075/2	75X87X7/5	75	87	87,2	81	5,3	1,5	7	1	NBR	PU
A202-075/3	75X87X10/7	75	87	87,2	81	7,2	3	10	1	NBR	PU
A202-075	75X87X12/7	75	87	87,2	81	7,2	3	12	1	NBR	PU
A202-076/1	76,2X85,85X8/6,09	76,2	85,85	85,85	79,5	6,09	1,5	8	1	NBR	PU
A202-076	76,2X88,9X9,52/6,35	76,2	88,9	88,9	84,5	6,35	3	9,52	1	NBR	PU
A202-078/1	78X86X7/5	78	86	86	82	5,2	1,5	7	1	NBR	PU
A202-078	78X92X12/7	78	92	92,2	85	7,3	3	12	1	NBR	PU
A202-080/1	80X88X7/5	80	88	88,6	83	5,3	1,5	7	1	NBR	PU
A202-080/3	80X90X7/5	80	90	90	83	5,3	1,5	7	1	NBR	PU
A202-080/2	80X90X9/6	80	90	90,2	83	6,3	3	9	1	NBR	PU
A202-080	80X92X12/7	80	92	92,2	86	7,2	3	12	1	NBR	PU

A202





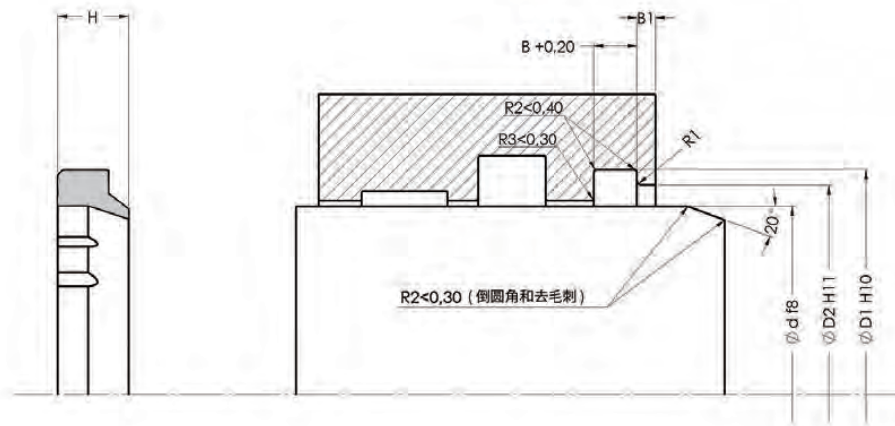
ALP 码 - Code	尺寸- Dimension	Ød	ØD	ØD1	ØD2	B	B1	H	R1	NBR	PU
A202-080/4	80X96X12/8	80	96	96	85,6	8,3	3	12	1	NBR	PU
A202-084	84X91,7X7/5	84	91,7	92,3	87	5,3	1,5	7	1	NBR	PU
A202-085/1	85X93X7/5	85	93	93,6	88	5,3	1,5	7	1	NBR	PU
A202-085/2	85X95X7/5	85	95	95	87,4	5,3	1,5	7	1	NBR	PU
A202-085	85X97X12/7	85	97	97,2	91	7,2	3	12	1	NBR	PU
A202-088	88,9X101,6X9,52/6,35	88,9	101,6	101,6	97,21	6,35	3	9,52	1	NBR	PU
A202-090/1	90X98X7/5	90	98	98	92,4	5,3	1,5	7	1	NBR	PU
A202-090/2	90X100X7/5	90	100	100	93	5,3	1,5	7	1	NBR	PU
A202-090/3	90X100X9/6	90	100	100	96,8	6,3	3	9	1	NBR	PU
A202-090/5	90X100X9/6	90	100	100	96,8	6,3	3	9	1	NBR	PU
A202-090/4	90X102X8/6	90	102	102,2	94	6	2	8	1	NBR	PU
A202-090	90X102X12/7	90	102	102,2	96	7,2	3	12	1	NBR	PU
A202-095/1	95X103X7/5	95	103	103,6	98	5,3	1,5	7	1	NBR	PU
A202-095/2	95X105X8/6	95	105	105,2	97,6	6,35	1,5	8	1	NBR	PU
A202-095/4	95X107X7/5	95	107	107,2	101	5,3	1,5	7	1	NBR	PU
A202-095/5	95X107X10/7	95	107	107,2	101	7,2	3	10	1	NBR	PU
A202-095	95X107X12/7	95	107	107,2	101	7,2	3	12	1	NBR	PU
A202-097	97X105X7/5	97	105	105	100	5	2	7	1	NBR	PU
A202-100/3	100X108X7/5	100	108	108,6	103	5,3	1,5	7	1	NBR	PU
A202-100/2	100X110X7/5	100	110	110	103	5,3	1,5	7	1	NBR	PU
A202-100/4	100X110X9,5/6,5	100	110	110	105	6,5	3	9,5	1	NBR	PU
A202-100	100X112X12/7	100	112	112,2	106	7,2	3	12	1	NBR	PU
A202-100/1	100X115X13/9,2	100	115	115,2	108	9,5	3	13	1,5	NBR	PU
A202-101	101,6X114,3X9,52/6,35	101,6	114,3	114,3	109,9	6,35	3	9,52	1	NBR	PU
A202-105/1	105X113X7/5	105	113	113,6	108	5,3	1,5	7	1	NBR	PU
A202-105	105X117X12/7	105	117	117,2	111	7,2	3	12	1	NBR	PU
A202-110/3	110X118X7/5	110	118	118,6	113	5,3	1,5	7	1	NBR	PU
A202-110/2	110X120X7/5	110	120	120	116	5,3	1,5	7	1	NBR	PU
A202-110	110X122X12/7	110	122	122,2	116	7,2	3	12	1	NBR	PU
A202-110/1	110X125X13/9,2	110	125	125,2	118	9,5	3	13	1,5	NBR	PU
A202-112	112X124X12/7	112	124	124,2	118	7,1	3	12	1	NBR	PU
A202-113	113X125X12/7	113	125	125	118,4	7,3	3	12	1	NBR	PU
A202-115/1	115X123X7/5	115	123	123,2	118	5,3	1,5	7	1	NBR	PU
A202-115/2	115X127X7/5	115	127	127,2	121	5,3	1,5	7	1	NBR	PU
A202-115/3	115X127X10/7	115	127	127,2	121	7,2	3	10	1	NBR	PU
A202-115	115X127X12/7	115	127	127,2	121	7,2	3	12	1	NBR	PU
A202-120/3	120X128X7/5	120	128	128,6	123	5,3	1,5	7	1	NBR	PU
A202-120/1	120X130X7/5	120	130	130	122,4	5,3	1,5	7	1	NBR	PU
A202-120	120X132X12/7	120	132	132,2	126	7,2	3	12	1	NBR	PU

A202

ALP 码 - Code	尺寸 - Dimension	Ød	ØD	ØD1	ØD2	B	B1	H	R1	NBR	PU
A202-121	121X131X7/5	121	131	131	127,5	5,3	1,5	7	1	NBR	PU
A202-125/1	125X133X7/5	125	133	133,6	128	5,3	1,5	7	1	NBR	PU
A202-125/2	125X137X12/7	125	137	137,6	131	7,2	3	12	1	NBR	PU
A202-125/4	125X138X11,5/8	125	138	138	132	8	3	11,5	1	NBR	PU
A202-125	125X140X16/10	125	140	140	132,5	10,2	3	16	1,5	NBR	PU
A202-125/3	125X140X13/8,6	125	140	140	132,5	8,8	3	13	1	NBR	PU
A202-130	130X142X12/7	130	142	142,6	136	7,2	3	12	1	NBR	PU
A202-135/1	135X147X7/5	135	147	147	141	5,3	1,5	7	1	NBR	PU
A202-135/2	135X147X10/7	135	147	147	141	7,2	3	10	1	NBR	PU
A202-135	135X147X12/7	135	147	147	141	7,2	3	12	1	NBR	PU
A202-140/5	140X152X12/7	140	152	152,2	146	7,1	3	12	1	NBR	PU
A202-140/3	140X155X14/9	140	155	155	150	9,3	3	14	1	NBR	PU
A202-140	140X155X16/10	140	155	155	147,5	10,2	3	16	1,5	NBR	PU
A202-140/4	140X155,6X16/10	140	155,6	155,6	148	10,2	3	16	1	NBR	PU
A202-145	145X153X7/5	145	153	153,6	148	5,3	1,5	7	1	NBR	PU
A202-145/4	145X157X12/7	145	157	157,2	151	7,3	3	12	1	NBR	PU
A202-145/3	145X158X11/7,2	145	158	158	152	7,5	3	11	1	NBR	PU
A202-150/1	150X162X12/7	150	162	162	156	7,2	3	12	1	NBR	PU
A202-150	150X165X16/10	150	165	165	157,5	10,2	3	16	1,5	NBR	PU
A202-150/2	150X165,6X16/10	150	165,6	165,6	157,5	10,2	3	16	1	NBR	PU
A202-155/2	155X167X12/7	155	167	167	161	7,2	3	12	1	NBR	PU
A202-155/3	155X167X10/7	155	167	167	161	7,2	3	10	1	NBR	PU
A202-155	155X170X16/10	155	170	170	162,5	10,2	3	16	1,5	NBR	PU
A202-158	158X170X12/7	158	170	170	164	7,2	3	12	1	NBR	PU
A202-160/2	160X168X7/5	160	168	168	162,4	5,3	1,5	7	1	NBR	PU
A202-160/3	160X172X7/5	160	172	172	166	5,3	1,5	7	1	NBR	PU
A202-160/4	160X172X10/7	160	172	172	166	7,2	3	10	1	NBR	PU
A202-160/1	160X172X12/7	160	172	172	166	7,2	3	12	1	NBR	PU
A202-160/5	160X174X10/5,5	160	174	174,4	167,1	5,8	3	10	1	NBR	PU
A202-160	160X175X16/10	160	175	175	167,5	10,2	3	16	1,5	NBR	PU
A202-165/1	165X173X7/5	165	173	173,6	168	5,3	1,5	7	1	NBR	PU
A202-165	165X177X12/7	165	177	177	171	7,2	3	12	1	NBR	PU
A202-170	170X182X16/10	170	182	182	176	10,3	3	16	1	NBR	PU
A202-170/1	170X182X12/7	170	182	182,2	176	7,2	3	12	1	NBR	PU
A202-170/2	170X185X16/10	170	185	185	177,5	10,2	3	16	1,5	NBR	PU
A202-175	175X187X12/7	175	187	187	181	7,2	3	12	1	NBR	PU
A202-175/2	175X187X10/7	175	187	187	181	7,2	3	10	1	NBR	PU
A202-180	180X200X18/10	180	200	200	190	10,2	3	18	3	NBR	PU
A202-185/1	185X197X7/5	185	197	197	191	5,3	1,5	7	1	NBR	PU
A202-185/2	185X197X10/7	185	197	197	191	7,2	3	10	1	NBR	PU
A202-185	185X197X12/7	185	197	197	191	7,2	3	12	1	NBR	PU
A202-190	190X210X18/10	190	210	210	199	10,2	3	18	3	NBR	PU
A202-195	195X210X16/9	195	210	210	202,5	9,3	3	16	1,5	NBR	PU
A202-200/2	200X215X16/10	200	215	215	207,4	10,3	3	16	1,5	NBR	PU
A202-200	200X220X18/10	200	220	220	210	10,2	3	18	3	NBR	PU
A202-210/1	210X225X16/10	210	225	225	217,6	10,2	3	16	1	NBR	PU
A202-212	212X224X12/7	212	224	224	219	7,2	3	12	1	NBR	PU
A202-215/3	215X227X10/7	215	227	227	221	7,2	3	10	3	NBR	PU
A202-215/1	215X227X12/7	215	227	227	221	7,2	3	12	1	NBR	PU
A202-215	215X237X18/10	215	237	237	225,4	10,3	3	18	3	NBR	PU
A202-220	220X235X18/10	220	235	235	227,6	10,2	3	18	1,5	NBR	PU
A202-220/1	220X240X16/10	220	240	240	227,6	10,2	3	16	3	NBR	PU
A202-220/2	220X240X18/10	220	240	240	230	10,2	3	18	3	NBR	PU
A202-230	230X250X18/10	230	250	250	240	10,2	3	18	3	NBR	PU

A202





ALP 码 - Code	尺寸- Dimension	Ød	ØD	ØD1	ØD2	B	B1	H	R1	NBR	PU
A202-240	240X260X18/10	240	260	260	250	10,2	3	18	3	NBR	PU
A202-250	250X270X18/10	250	270	270	260	10,2	3	18	3	NBR	PU
A202-260	260X280X18/10	260	280	281	270	10,2	3	18	3	NBR	PU
A202-280	280X300X18/10	280	300	300	290	10,3	3	18	3	NBR	PU
A202-300	300X320X18/10	300	320	320	310	10,2	3	18	3	NBR	PU
A202-380	380X400X18/10	380	400	400	390	10,2	3	18	3	NBR	PU
A202-400	400X420X18/10	400	420	420	410	10,2	3	18	3	NBR	PU
A202-450	450X474,5X22/12	450	474,5	474,5	462	12	3	22	3	NBR	PU

A202



A204

A204 防尘圈主要是为了防止任何有害的颗粒物进入液压缸系统内。

A204 wipers are designed to prevent the entry of any unfavourable particles into the system of hydraulic cylinders.

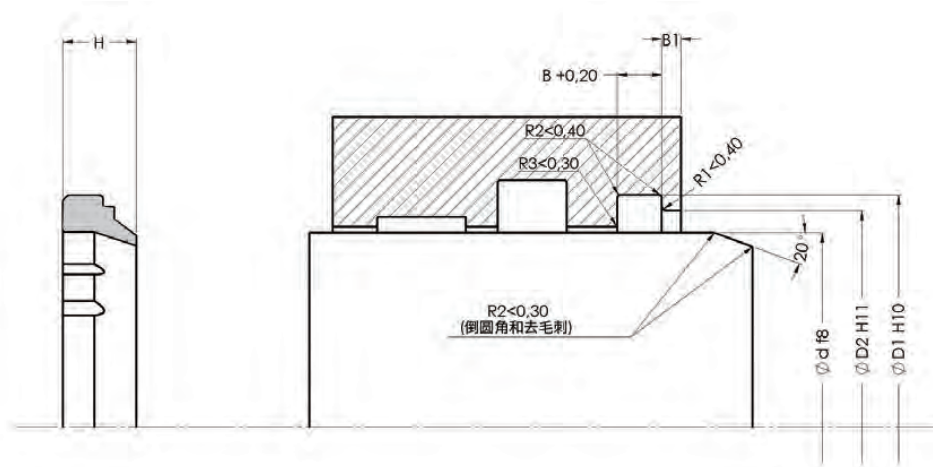
技术参数 / TECHNICAL DATA

标准材料 / Standard Materials	NBR	PU
工作温度 / Working Temperature	-30 +105°C	-40 +100°C
滑动速度 / Sliding Speed	1.00 m/sn	1.00 m/sn
材料 / Material	90 NBR	92 PU

表面粗糙度 / Surface Roughness

	Ra	Rmax
动态表面 / Dynamic Surface	≤0.4 μm	≤3.2 μm
槽底部 / Groove Base	≤1.6 μm	≤10 μm
槽侧面 / Groove Flanks	≤3.2 μm	≤16 μm

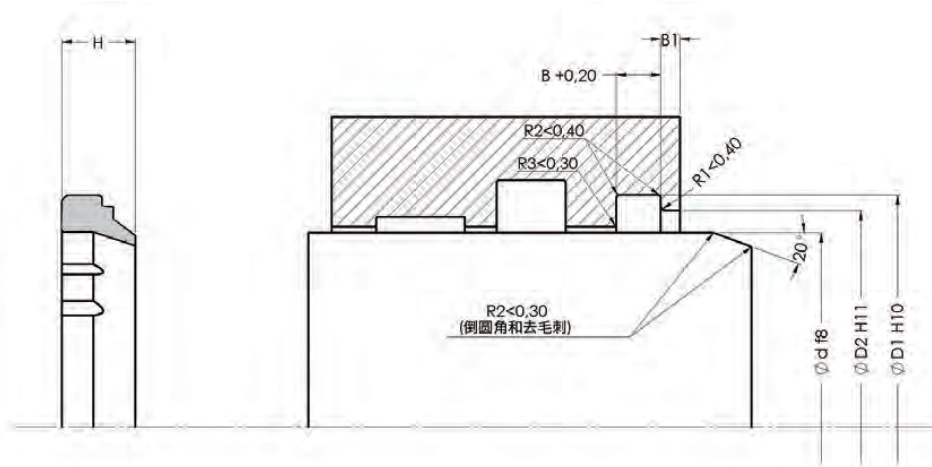




ALP 码 - Code	尺寸 - Dimension	Ød	ØD1	ØD2	B	B1	H	NBR	PU
A204-003,5	3,5X12X7/4	3,5	12	10	4	1	7	NBR	PU
A204-004	4X12X7/4	4	12	10	4	1	7	NBR	PU
A204-008	8X16X7/4	8	16	14	4	1	7	NBR	PU
A204-010	10X18X7/4	10	18	16	4	1	7	NBR	PU
A204-012	12X20X7/4	12	20	18	4	1	7	NBR	PU
A204-014	14X22X7/4	14	22	20	4	1	7	NBR	PU
A204-015	15X23X7/4	15	23	21	4	1	7	NBR	PU
A204-016	16X24X7/4	16	24	22	4	1	7	NBR	PU
A204-017	17X25X7/5	17	25	23	5	1	7	NBR	PU
A204-018	18X26X7/4	18	26	24	4	1	7	NBR	PU
A204-020	20X28X7/4	20	28	26	4	1	7	NBR	PU
A204-022	22X30X7/4	22	30	28	4	1	7	NBR	PU
A204-024	24X32X7/4	24	32	30	4	1	7	NBR	PU
A204-025	25X33X7/4	25	33	31	4	1	7	NBR	PU
A204-025/2	25X34X8/5	25	34	32	5	1	8	NBR	PU
A204-025/1	25X35X7/4	25	35	33	4	1	7	NBR	PU
A204-026	26X34X7/4	26	34	32	4	1	7	NBR	PU
A204-028	28X36X7/4	28	36	34	4	1	7	NBR	PU
A204-030	30X38X7/4	30	38	36	4	1	7	NBR	PU
A204-030/1	30X40X7/4	30	40	38	4	1	7	NBR	PU
A204-032	32X40X7/4	32	40	38	4	1	7	NBR	PU
A204-033	33X41X7/4	33	41	39	4	1	7	NBR	PU
A204-034	34X42X7/4	34	42	40	4	1	7	NBR	PU
A204-035	35X43X7/4	35	43	41	4	1	7	NBR	PU
A204-035/1	35X45X7/4	35	45	43	4	1	7	NBR	PU
A204-036	36X44X7/4	36	44	42	4	1	7	NBR	PU
A204-038	38X46X7/4	38	46	44	4	1	7	NBR	PU
A204-040	40X48X7/4	40	48	46	4	1	7	NBR	PU
A204-042	42X50X7/4	42	50	48	4	1	7	NBR	PU
A204-044	44X52X7/4	44	52	50	4	1	7	NBR	PU
A204-045	45X53X7/4	45	53	51	4	1	7	NBR	PU
A204-048	48X56X7/4	48	56	54	4	1	7	NBR	PU
A204-050	50X58X7/4	50	58	56	4	1	7	NBR	PU
A204-050/1	50X62X10/5,5	50	62	59	5,5	1,5	10	NBR	PU
A204-051	51X59X7/4	51	59	57	4	1	7	NBR	PU
A204-052	52X60X7/4	52	60	58	4	1	7	NBR	PU
A204-054	54X62X7/4	54	62	60	4	1	7	NBR	PU
A204-055	55X63X7/4	55	63	61	4	1	7	NBR	PU
A204-056	56X64X7/4	56	64	62	4	1	7	NBR	PU

A204





ALP 码 - Code	尺寸 - Dimension	Ød	ØD1	ØD2	B	B1	H	NBR	PU
A204-057	57X65X7/4	57	65	63	4	1	7	NBR	PU
A204-060	60X68X7/4	60	68	66	4	1	7	NBR	PU
A204-062	62X70X7/4	62	70	68	4	1	7	NBR	PU
A204-063	63X71X7/4	63	71	69	4	1	7	NBR	PU
A204-065	65X73X7/4	65	73	71	4	1	7	NBR	PU
A204-068	68X76X7/4	68	76	74	4	1	7	NBR	PU
A204-070	70X78X7/4	70	78	76	4	1	7	NBR	PU
A204-075	75X83X7/4	75	83	81	4	1	7	NBR	PU
A204-078	78X86X7/4	78	86	84	4	1	7	NBR	PU
A204-080	80X88X7/4	80	88	86	4	1	7	NBR	PU
A204-082	82,5X90,6X7/5	82,5	90,6	88,6	5	1	7	NBR	PU
A204-085	85X93X7/4	85	93	91	4	1	7	NBR	PU
A204-090	90X98X7/4	90	98	96	4	1	7	NBR	PU
A204-090/1	90X104X10/5,6	90	104	101	5,6	1	10	NBR	PU
A204-095	95X103X7/4	95	103	101	4	1	7	NBR	PU
A204-100	100X108X7/4	100	108	106	4	1	7	NBR	PU
A204-110	110X118X7/4	110	118	116	4	1	7	NBR	PU
A204-110/1	110X122X10/5,5	110	122	119	5,5	1,5	10	NBR	PU
A204-115	115X127X10/5,5	115	127	124	5,5	1,5	10	NBR	PU
A204-120	120X132X10/5,5	120	132	129	5,5	1,5	10	NBR	PU
A204-125	125X137X10/5,5	125	137	134	5,5	1,5	10	NBR	PU
A204-130	130X142X10/5,5	130	142	139	5,5	1,5	10	NBR	PU
A204-135	135X147X10/5,5	135	147	144	5,5	1,5	10	NBR	PU
A204-140	140X152X10/5,5	140	152	149	5,5	1,5	10	NBR	PU
A204-150	150X162X10/5,5	150	162	159	5,5	1,5	10	NBR	PU
A204-155	155X167X10/5,5	155	167	164	5,5	1,5	10	NBR	PU
A204-160	160X172X10/5,5	160	172	169	5,5	1,5	10	NBR	PU
A204-165	165X177X10/5,5	165	177	174	5,5	1,5	10	NBR	PU
A204-180	180X192X10/5,5	180	192	189	5,5	1,5	10	NBR	PU
A204-190	190X202X10/5,5	190	202	199	5,5	1,5	10	NBR	PU
A204-200	200X212X10/5,5	200	212	209	5,5	1,5	10	NBR	PU
A204-210	210X225X13/6,5	210	225	222	6,5	1,5	13	NBR	PU
A204-220	220X235X13/6,5	220	235	232	6,5	1,5	13	NBR	PU
A204-250	250X265X13/6,5	250	265	262	6,5	1,5	13	NBR	PU

A204





A205

A205双层防尘圈主要为了防止外部的有害颗粒物进入液压缸内,并用第二密封唇改善液压缸中轴杆的油膜厚度。

为了防止在杆密封件和A205双唇防尘圈中产生液动力压力问题, A205 必须和适当的杆密封件组合使用, 或采用开式沟槽结构。

A205 combined double wipers are designed to prevent hydraulic cylinders from any unfavourable particles incoming from external environment and refine oil film thickness in the connecting rod of cylinders with their second sealing lip.

In order to avoid any possible hydrodynamic pressure problems between rod seals and A205 double wipers, they must be combined with suitable rod seals or drainage channel must be opened in this area.

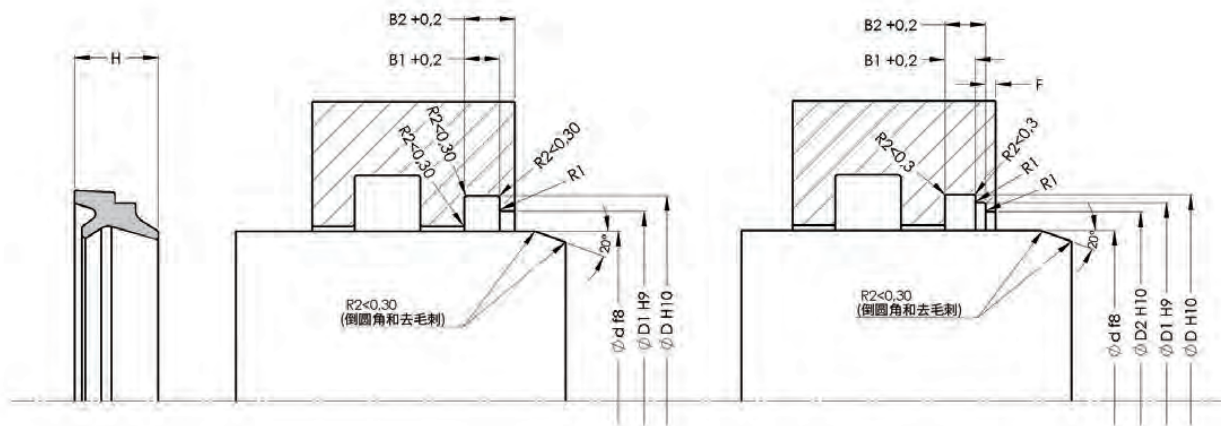
技术参数 / TECHNICAL DATA

标准材料 / Standard Materials	NBR	PU
工作温度 / Working Temperature	-30 +105°C	-40 +100°C
滑动速度 / Sliding Speed	1.00 m/sn	1.00 m/sn
材料 / Material	90 NBR	92 PU
介质 / Media	矿物基液压油 / Mineral Base Hydraulic Oil	

表面粗糙度 / Surface Roughness

	Ra	Rmax
动态表面 / Dynamic Surface	≤0.3 μm	≤ 3.2 μm
槽底部 / Groove Base	≤1.8 μm	≤ 10 μm
槽侧面 / Groove Flanks	≤3.00 μm	≤ 16 μm

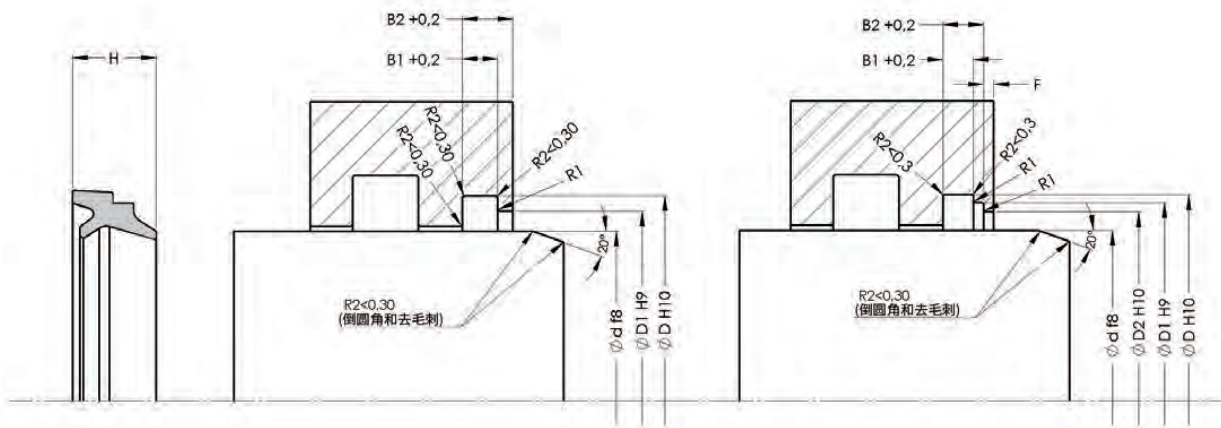




ALP 码 - Code	尺寸 - Dimension	ϕd	ϕD	$\phi D1$	$\phi D2$	B1	B2	$F \geq$	H	R1	NBR	PU
A205-008	8X14X5/4	8	14	13,2	9,5	3,2	4	2	5	0,5	NBR	PU
A205-010	10X18X8/6	10	18	16	13,5	4	6	2	8	0,5	NBR	PU
A205-012	12X20X8/6	12	20	18	15,5	4	6	2	8	0,5	NBR	PU
A205-014	14X22X8/6	14	22	20	17,5	4	6	2	8	0,5	NBR	PU
A205-015	15X23X8/6	15	23	21	18,5	4	6	2	8	0,5	NBR	PU
A205-016/1	16X24X7/6	16	24	22	19,5	4	6	2	7	0,5	NBR	PU
A205-016	16X24X8/6	16	24	22	19,5	4	6	2	8	0,5	NBR	PU
A205-018	18X26X8/6	18	26	24	21,5	4	6	2	8	0,5	NBR	PU
A205-020	20X28X8/6	20	28	26	23,5	4	6	2	8	0,5	NBR	PU
A205-022	22X30X8/6	22	30	28	25,5	4	6	2	8	0,5	NBR	PU
A205-024	24X32X8/6	24	32	30	27,5	4	6	2	8	0,5	NBR	PU
A205-025	25X33X8/6	25	33	31	28,5	4	6	2	8	0,5	NBR	PU
A205-026	26X34X8/6	26	34	32	29,5	4	6	2	8	0,5	NBR	PU
A205-028	28X36X8/6	28	36	34	31,5	4	6	2	8	0,5	NBR	PU
A205-030	30X38X8/6	30	38	36	33,5	4	6	2	8	0,5	NBR	PU
A205-032	32X40X8/6	32	40	38	35,5	4	6	2	8	0,5	NBR	PU
A205-035	35X43X8/6	35	43	41	38,5	4	6	2	8	0,5	NBR	PU
A205-036	36X44X8/6	36	44	42	39,5	4	6	2	8	0,5	NBR	PU
A205-037	37X45X8/6	37	45	43	40,5	4	6	2	8	0,5	NBR	PU
A205-038	38X46X8/6	38	46	44	41,5	4	6	2	8	0,5	NBR	PU
A205-040/1	40X48X5/4	40	48	46	43,5	3	4	2	5	0,5	NBR	PU
A205-040	40X48X8/6	40	48	46	43,5	4	6	2	8	0,5	NBR	PU
A205-042	42X50X8/6	42	50	48	45,5	4	6	2	8	0,5	NBR	PU
A205-045	45X53X8/6	45	53	51	48,5	4	6	2	8	0,5	NBR	PU
A205-046	46X54X8/6	46	54	52	49,5	4	6	2	8	0,5	NBR	PU
A205-048	48X56X8/6	48	56	54	51,5	4	6	2	8	0,5	NBR	PU
A205-050	50X58X8/6	50	58	56	53,5	4	6	2	8	0,5	NBR	PU
A205-052	52X60X8/6	52	60	58	55,5	4	6	2	8	0,5	NBR	PU
A205-055/1	55X63X6/4	55	63	61	58,5	4	4	2	6	0,5	NBR	PU
A205-055	55X63X8/6	55	63	61	58,5	4	6	2	8	0,5	NBR	PU
A205-056	56X64X8/6	56	64	62	59,5	4	6	2	8	0,5	NBR	PU
A205-057	57X65X8/6	57	65	63	60,5	4	6	2	8	0,5	NBR	PU
A205-060	60X68X8/6	60	68	66	63,5	4	6	2	8	0,5	NBR	PU
A205-063	63X71X8/6	63	71	69	66,5	4	6	2	8	0,5	NBR	PU
A205-065	65X73X8/6	65	73	71	68,5	4	6	2	8	0,5	NBR	PU
A205-068	68X76X8/6	68	76	74	71,5	4	6	2	8	0,5	NBR	PU
A205-070	70X78X8/6	70	78	76	73,5	4	6	2	8	0,5	NBR	PU
A205-075	75X83X8/6	75	83	81	78,5	4	6	2	8	0,5	NBR	PU
A205-080	80X88X8/6	80	88	86	83,5	4	6	2	8	0,5	NBR	PU

A205





ALP 码 - Code	尺寸 - Dimension	ϕd	ϕD	$\phi D1$	$\phi D2$	B1	B2	$F \geq$	H	R1	NBR	PU
A205-085	85X93X8/6	85	93	91	88,5	4	6	2	8	0,5	NBR	PU
A205-090	90X98X8/6	90	98	96	93,5	4	6	2	8	0,5	NBR	PU
A205-095	95X103X8/6	95	103	101	98,5	4	6	2	8	0,5	NBR	PU
A205-100	100X108X8/6	100	108	106	103,5	4	6	2	8	0,5	NBR	PU
A205-105/1	105X117X8/6	105	117	114	110	5,5	6	3	8	1	NBR	PU
A205-105	105X117X11/8,2	105	117	114	110	5,5	8,2	3	11	1	NBR	PU
A205-110	110X122X11/8,2	110	122	119	115	5,5	8,2	3	11	1	NBR	PU
A205-115	115X127X11/8,2	115	127	124	120	5,5	8,2	3	11	1	NBR	PU
A205-120	120X132X11/8,2	120	132	129	125	5,5	8,2	3	11	1	NBR	PU
A205-125	125X137X11/8,2	125	137	134	130	5,5	8,2	3	11	1	NBR	PU
A205-130	130X142X11/8,2	130	142	139	135	5,5	8,2	3	11	1	NBR	PU
A205-135	135X147X11/8,2	135	147	144	140	5,5	8,2	3	11	1	NBR	PU
A205-140	140X152X11/8,2	140	152	149	145	5,5	8,2	3	11	1	NBR	PU
A205-145	145X157X11/8,2	145	157	154	150	5,5	8,2	3	11	1	NBR	PU
A205-150	150X162X11/8,2	150	162	159	155	5,5	8,2	3	11	1	NBR	PU
A205-155	155X167X11/8,2	155	167	164	160	5,5	8,2	3	11	1	NBR	PU
A205-160	160X172X11/8,2	160	172	169	165	5,5	8,2	3	11	1	NBR	PU
A205-165	165X177X11/8,2	165	177	174	170	5,5	8,2	3	11	1	NBR	PU
A205-170	170X182X11/8,2	170	182	179	175	5,5	8,2	3	11	1	NBR	PU
A205-175	175X187X11/8,2	175	187	184	180	5,5	8,2	3	11	1	NBR	PU
A205-180	180X192X11/8,2	180	192	189	185	5,5	8,2	3	11	1	NBR	PU
A205-190	190X202X11/8,2	190	202	199	195	5,5	8,2	3	11	1	NBR	PU
A205-195	195X207X11/8,2	195	207	204	200	5,5	8,2	3	11	1	NBR	PU
A205-200	200X212X11/8,2	200	212	209	205	5,5	8,2	3	11	1	NBR	PU
A205-205	205X220X13/9,5	205	220	216	212	6,4	9,5	3	13	1	NBR	PU
A205-210	210X225X13/9,5	210	225	221	217	6,4	9,5	3	13	1	NBR	PU
A205-220	220X235X13/9,5	220	235	231	227	6,4	9,5	3	13	1	NBR	PU
A205-225	225X240X13/9,5	225	240	236	232	6,4	9,5	3	13	1	NBR	PU
A205-230	230X245X13/9,5	230	245	241	237	6,4	9,5	3	13	1	NBR	PU
A205-240	240X255X13/9,5	240	255	251	247	6,4	9,5	3	13	1	NBR	PU
A205-250	250X265X13/9,5	250	265	261	257	6,4	9,5	3	13	1	NBR	PU
A205-260	260X275X13/9,5	260	275	271	267	6,4	9,5	3	13	1	NBR	PU
A205-270	270X285X13/9,5	270	285	281	277	6,4	9,5	3	13	1	NBR	PU
A205-280	280X295X13/9,5	280	295	291	287	6,4	9,5	3	13	1	NBR	PU
A205-300	300X315X13/9,5	300	315	311	307	6,4	9,5	3	13	1	NBR	PU
A205-310	310X325X13/9,5	310	325	321	317	6,4	9,5	3	13	1	NBR	PU
A205-320	320X335X13/9,5	320	335	331	327	6,4	9,5	3	13	1	NBR	PU
A205-350	350X365X13/9,5	350	365	361	357	6,4	9,5	3	13	1	NBR	PU
A205-360	360X375X13/9,5	360	375	371	367	6,4	9,5	3	13	1	NBR	PU

A205



A206

A206 重型防尘圈专为尤其适用在室外工作的液压系统（例如,使用室外的重型机械的液压缸）内而设计。

也推荐适用于轻型机器当中。

A206 heavy duty wipers are designed to prevent the entry of any unfavourable particles into the system particularly of the hydraulic systems used outside (e.g.heavy duty machines' hydraulic cylinders).

Moreover, it is also recommended to be used in the operations of light duty machines.

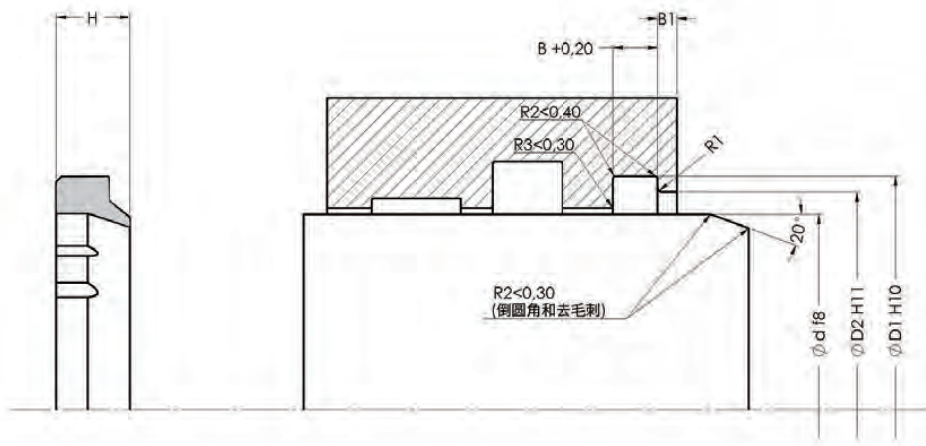
技术参数 / TECHNICAL DATA

工作温度 / Working Temperature	-40 +120°C
滑动速度 / Sliding Speed	1.00 m/sn
材料 / Material	TPE

表面粗糙度 / Surface Roughness

	Ra	Rmax
动态表面 / Dynamic Surface	≤0.4 μm	≤ 3.2 μm
槽底部 / Groove Base	≤1.6 μm	≤ 10 μm
槽侧面 / Groove Flanks	≤3.2 μm	≤ 16 μm

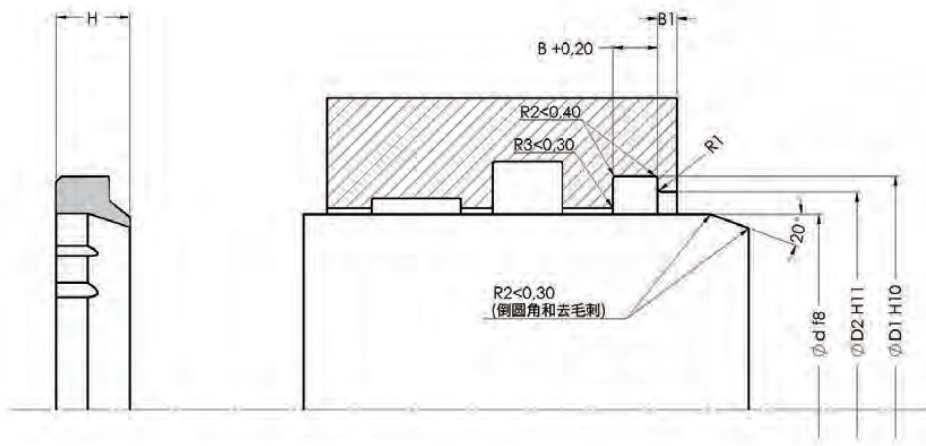




ALP 码 - Code	尺寸- Dimension	Ød	ØD	ØD1	ØD2	B	B1	H	R1
A206-008	8X14X5/3	8	14	14,6	11	3,3	1,5	5	1
A206-008/1	8X14,6X4,5/3,8	8	14,6	14,6	11	3,8	1	4,5	1
A206-010/1	10X14X3/2	10	14	14,2	12,8	2,3	1	3	1
A206-010/2	10X17X4/3	10	17	17	14	3,3	1	4	1
A206-010	10X18X8/5	10	18	18	12,4	5,3	3	8	1
A206-012/1	12X16X4,5/3	12	16	16	14,5	3,2	1,5	4,5	1
A206-012/3	12X18X5/3	12	18	18,6	15	3,3	1,5	5	1
A206-012	12X18X5,5/3,4	12	18	18,6	14,4	3,7	1,5	5,5	1
A206-012/2	12X18X5/3,5	12	18	18,6	14,4	3,8	1,5	5	1
A206-014	14X18X3,3/2	14	18	18,6	16,5	2,3	1	3,3	1
A206-014/1	14X20X5/3,5	14	20	20,6	17	3,8	1,5	5	1
A206-015/2	15X21,6X5,5/3,8	15	21,6	21,6	18	3,8	1,5	5,5	1
A206-015/3	15X21X5/3	15	21	21,8	18	3,3	1,5	5	1
A206-015	15X21X5/3,5	15	21	21,8	18	3,8	1,5	5	1
A206-015/1	15X27X7/5	15	27	27,3	18,5	5,3	1,5	7	1
A206-016/4	16X22X5/3	16	22	22,6	19	3,3	1,5	5	1
A206-016/1	16X22X5,5/3,4	16	22	22,6	19	3,7	1,5	5,5	1
A206-016/2	16X22X5/3,5	16	22	22,6	19	3,9	1,5	5	1
A206-016	16X24X7/5	16	24	24,6	19	5,3	1,5	7	1
A206-018/1	18X24X5/3,5	18	24	24	20,4	3,8	1,5	5	1
A206-018/4	18X24X4,5/6	18	24	24	21	4,8	1,5	6	1
A206-018/3	18X24,6X5/3,5	18	24,6	24,6	21	3,8	1,5	5	1
A206-018/6	18X24X5,5/3,5	18	24	24,6	21	3,8	1,5	5,5	1
A206-018/2	18X24X7/4,3	18	24	24,6	21	4,5	2	7	1
A206-018	18X26X7/5	18	26	26,6	21	5,3	1,5	7	1
A206-018/5	18X30X7/5	18	30	30,6	21	5,3	1,5	7	1
A206-019/3	19X23,50X4,70/2,60	19	23,5	23,5	21,7	2,9	1,5	4,7	1
A206-019/1	19X25X6/4	19	25	25	22	4,2	1,5	6	1
A206-019/2	19X28X7/5	19	28	28,4	23	5,3	1,5	7	1
A206-019	19,05X28,49X7,15/4,76	19,05	28,49	28,49	23,4	4,76	2	7,15	1
A206-020/1	20X25X6/4	20	25	25	23	4,3	1,5	6	1
A206-020/2	20X28,3X7/4,7	20	28,3	28,3	23,8	5	2	7	1
A206-020	20X28X7/5	20	28	28,6	23	5,3	1,5	7	1
A206-020/3	20X30X7/5	20	30	30	22,4	5,3	1,5	7	1
A206-021	21X26X5/3,2	21	26	26	23,4	3,5	1,5	5	1
A206-022	22X30X7/5	22	30	30,6	25	5,3	1,5	7	1
A206-022/2	22,22X31,75X7,1/4,46	22,22	31,75	31,75	28,15	4,76	2	7,1	1
A206-024	24X32X7/5	24	32	32,6	27	5,3	1,5	7	1
A206-025/1	25X30X6,5/4,5	25	30	30	27,2	4,8	1,5	6,5	1

A206





ALP 码 - Code	尺寸- Dimension	Ød	ØD	ØD1	ØD2	B	B1	H	R1
A206-025	25X33X7/5	25	33	33,6	28	5,3	1,5	7	1
A206-025/4	25,4X32,33X4,5/2,72	25,4	32,33	32,33	29,16	2,72	1,5	4,5	1
A206-025/2	25,4X34,93X7,15/4,46	25,4	34,93	34,93	28,4	4,76	2	7,15	1
A206-026	26X33X7/4	26	33	33,2	29	4,3	3	7	1
A206-027	27X35X7/5	27	35	35	29,4	5,3	1,5	7	1
A206-028/3	28X36X8/5	28	36	36	33,5	5	3	8	1
A206-028/4	28X36X7/5,3	28	35,5	36	32	5,3	1,5	7	1
A206-028	28X36X7/5	28	36	36,6	31	5,3	1,5	7	1
A206-030	30X38X7/5	30	38	38,6	33	5,3	1,5	7	1
A206-030/2	30X40X4/2,8	30	40	40,2	34,2	3,1	1	4	1
A206-030/1	30X45X8/5	30	45	45	35,4	5,3	3	8	1
A206-031	31,75X41,27X7,15/4,76	31,75	41,19	41,19	37,89	4,76	2	7,15	1
A206-032/1	32X40X5/3,5	32	40	40,2	35	3,8	1,5	5	1
A206-032	32X40X7/5	32	40	40,6	35	5,3	1,5	7	1
A206-033	33X42X7/5	33	42	42	35,4	5,3	1,5	7	1
A206-033/1	33X42,6X7/5,3	33	42,6	42,6	36	5,3	1,5	7	1
A206-034	34,92X44,37X7,15/4,46	34,92	44,37	44,37	41,07	4,76	2	7,15	1
A206-035/1	35X40X5/3,5	35	40	40,2	38	3,8	1,5	5	1
A206-035	35X43X7/5	35	43	43,6	38	5,3	1,5	7	1
A206-035/4	35X45X7/5	35	45	45	38	5,3	1,5	7	1
A206-035/3	35X47X7/4	35	47	47,2	38	4,3	3	7	1
A206-035/2	35X47X7/5	35	47	47,6	38	5,3	1,5	7	1
A206-035/5	35,5X43,7X8/6	35,5	43,7	43,7	39,5	6	2	8	1
A206-036	36X44X7/5	36	44	44,6	39	5,3	1,5	7	1
A206-038/1	38X46X7/5	38	46	46,6	41	5,3	1,5	7	1
A206-038/3	38X46X9/7	38	46	46,6	42,2	7,3	1,5	9	1
A206-038	38,10X47,54X7,15/4,76	38,1	47,54	47,54	44,38	4,76	2	7,15	1
A206-038/2	38,10X47,62X7/4,8	38,1	47,62	47,62	44,42	4,8	2	7	1
A206-040/5	40X48X8/5	40	48	48	45,5	5	3	8	1
A206-040/1	40X48X7/4	40	48	48,6	43	4,3	3	7	1
A206-040	40X48X7/5	40	48	48,6	43	5,3	1,5	7	1
A206-040/3	40X50X7/5	40	50	50,6	43	5,3	1,5	7	1
A206-040/2	40X52X8/5	40	52	52,2	46	5,3	3	8	1
A206-040/4	40X52,2X8/6	40	52,2	52,2	46	6,3	1,5	8	1
A206-042	42X50X7/5	42	50	50,6	45	5,3	1,5	7	1
A206-044/1	44,45X51,56X7/4,82	44,45	51,56	51,56	46,99	4,82	2	7	1
A206-044	44,45X53,97X7,15/4,76	44,45	53,97	53,97	50,67	4,76	2	7,15	1
A206-045/1	45X53X7/5	45	53	53,6	48	5,3	1,5	7	1
A206-045	45X55X7/5	45	55	55,6	48	5,3	1,5	7	1

A206

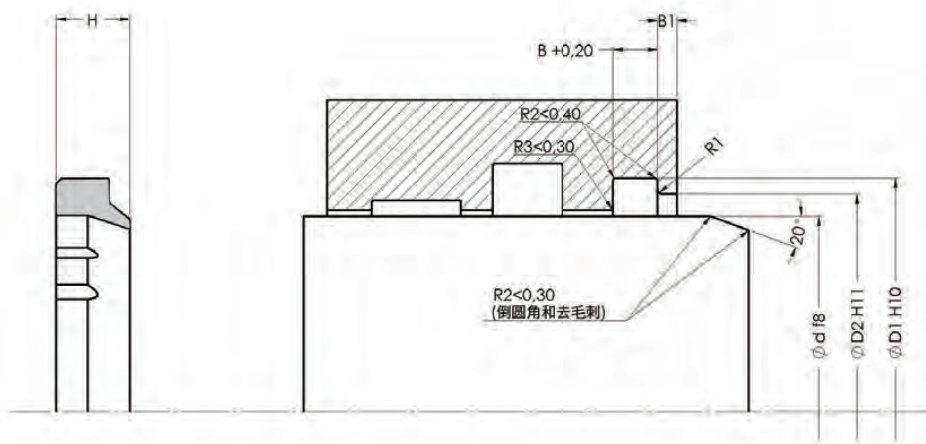


全球密封方案

ALP 码 - Code	尺寸 - Dimension	Ød	ØD	ØD1	ØD2	B	B1	H	R1
A206-046	46X54X7/5	46	54	54	48,4	5,3	1,5	7	1
A206-046/1	46X54,6X7/5	46	54	54,6	49	5,3	1,5	7	1
A206-048	48X56X7/5	48	56	56,6	51	5,3	1,5	7	1
A206-050/1	50X58X6/4	50	58	58,6	53	4,3	1,5	6	1
A206-050/2	50X58X7/5	50	58	58,6	53	5,3	1,5	7	1
A206-050	50X60X7/5	50	60	60,6	53	5,3	1,5	7	1
A206-050/4	50,8X58,42X5,08	50,8	58,42	58,42	53,34	5,08	1,5	7	1
A206-050/3	50,8X63,5X9,52/6,35	50,8	63,5	63,5	57	6,35	3	9,52	1
A206-053	53X61X7/5	53	61	61,6	56,2	5,3	1,5	7	1
A206-055/2	55X63X7/5	55	63	63,6	58	5,3	1,5	7	1
A206-055	55X65X7/5	55	65	65,6	58	5,3	1,5	7	1
A206-055/3	55X65X7/5	55	65	65,6	59	5,3	1,5	7	1
A206-055/1	55X67X12/7	55	67	67,2	61	7,2	3	12	1
A206-056/1	56X64X7/5	56	64	64,6	59	5,3	1,5	7	1
A206-056	56X66X7/5	56	66	66,6	59	5,3	1,5	7	1
A206-057	57,15X69,85X9,52/6,35	57,15	69,85	69,85	63,85	6,35	3	9,52	1
A206-058	58X68X7/5	58	68	68,6	61	5,3	1,5	7	1
A206-060/1	60X68X7/5	60	68	68,6	63	5,3	1,5	7	1
A206-060/5	60X70X9/6	60	70	70	66	6	3	9	1
A206-060/4	60X70X10/7	60	70	70,3	63	7,2	3	10	1
A206-060	60X70X7/5	60	70	70,6	63	5,3	1,5	7	1
A206-060/6	60X70,6X7/5,5	60	70,6	70,6	63	5,5	1,5	7	1
A206-060/2	60X70X10/6	60	70	70,6	63	6,3	3	10	1
A206-060/3	60,32X73,02X9,52/6,12	60,32	73,02	73,02	67,42	6,42	3	9,52	1
A206-063/1	63X71X7/5	63	71	71,6	66	5,3	1,5	7	1
A206-063	63X73X7/5	63	73	73,6	66	5,3	1,5	7	1
A206-063/3	63X75,20X9/7	63	75,2	75,8	66	7,2	1,5	9	1
A206-063/2	63,5X76,12X9,52/6,35	63,5	76,12	76,12	70,2	6,35	3	9,52	1
A206-065/2	65X73X7/5	65	73	73,6	68	5,3	1,5	7	1
A206-065/3	65X75X10/6,3	65	75	75	72	6,3	3	10	1
A206-065	65X75X7/5	65	75	75,6	68	5,3	1,5	7	1
A206-065/1	65X77X12/7	65	77	77,2	71	7,2	3	12	1
A206-069	69,72X79,62X6,35/4,46	69,72	79,62	79,62	73,22	4,76	1,5	6,35	1
A206-070/1	70X78X7/5	70	78	78,6	73	5,3	1,5	7	1
A206-070	70X80X7/5	70	80	80,6	73	5,3	1,5	7	1
A206-070/2	70X80X10/7	70	80	80,6	73	7,2	3	10	1
A206-070/6	70X82,2X12/7,2	70	82,2	82,2	76	7,2	3	12	1
A206-070/3	70X82X12/7	70	82	82,6	76	7,2	3	12	1
A206-070/5	70X85X10,5/6	70	85	85	77	6,3	3	10,5	1
A206-073	73X81X7/5	73	81	81,6	76	5,3	1,5	7	1
A206-075/1	75X83X7/5	75	83	83,2	78	5,3	1,5	7	1
A206-075/4	75X85X9/5,7	75	85	85	80,4	6	3	9	1
A206-075/5	75X85,6X7/5,3	75	85,6	85,6	79,8	5,3	1,5	7	1
A206-075/2	75X87X7/5	75	87	87,2	81	5,3	1,5	7	1
A206-075/3	75X87X10/7	75	87	87,2	81	7,2	3	10	1
A206-075	75X87X12/7	75	87	87,2	81	7,2	3	12	1
A206-076/1	76,2X85,85X8/6,09	76,2	85,85	85,85	79,5	6,09	1,5	8	1
A206-076	76,2X88,9X9,52/6,35	76,2	88,9	88,9	84,5	6,35	3	9,52	1
A206-078/1	78X86X7/5	78	86	86	82	5,2	1,5	7	1
A206-078	78X92X12/7	78	92	92,2	85	7,3	3	12	1
A206-080/1	80X88X7/5	80	88	88,6	83	5,3	1,5	7	1
A206-080/3	80X90X7/5	80	90	90	83	5,3	1,5	7	1
A206-080/2	80X90X9/6	80	90	90,2	83	6,3	3	9	1
A206-080	80X92X12/7	80	92	92,2	86	7,2	3	12	1

A206





ALP 码 - Code	尺寸- Dimension	Ød	ØD	ØD1	ØD2	B	B1	H	R1
A206-080/4	80X96X12/8	80	96	96	85,6	8,3	3	12	1
A206-084	84X91,7X7/5	84	91,7	92,3	87	5,3	1,5	7	1
A206-085/1	85X93X7/5	85	93	93,6	88	5,3	1,5	7	1
A206-085/2	85X95X7/5	85	95	95	87,4	5,3	1,5	7	1
A206-085	85X97X12/7	85	97	97,2	91	7,2	3	12	1
A206-088	88,9X101,6X9,52/6,35	88,9	101,6	101,6	97,21	6,35	3	9,52	1
A206-090/1	90X98X7/5	90	98	98	92,4	5,3	1,5	7	1
A206-090/2	90X100X7/5	90	100	100	93	5,3	1,5	7	1
A206-090/3	90X100X9/6	90	100	100	96,8	6,3	3	9	1
A206-090/5	90X100X9/6	90	100	100	96,8	6,3	3	9	1
A206-090/4	90X102X8/6	90	102	102,2	94	6	2	8	1
A206-090	90X102X12/7	90	102	102,2	96	7,2	3	12	1
A206-095/1	95X103X7/5	95	103	103,6	98	5,3	1,5	7	1
A206-095/2	95X105X8/6	95	105	105,2	97,6	6,35	1,5	8	1
A206-095/4	95X107X7/5	95	107	107,2	101	5,3	1,5	7	1
A206-095/5	95X107X10/7	95	107	107,2	101	7,2	3	10	1
A206-095	95X107X12/7	95	107	107,2	101	7,2	3	12	1
A206-097	97X105X7/5	97	105	105	100	5	2	7	1
A206-100/3	100X108X7/5	100	108	108,6	103	5,3	1,5	7	1
A206-100/2	100X110X7/5	100	110	110	103	5,3	1,5	7	1
A206-100/4	100X110X9,5/6,5	100	110	110	105	6,5	3	9,5	1
A206-100	100X112X12/7	100	112	112,2	106	7,2	3	12	1
A206-100/1	100X115X13/9,2	100	115	115,2	108	9,5	3	13	1,5
A206-101	101,6X114,3X9,52/6,35	101,6	114,3	114,3	109,91	6,35	3	9,52	1
A206-105/1	105X113X7/5	105	113	113,6	108	5,3	1,5	7	1
A206-105	105X117X12/7	105	117	117,2	111	7,2	3	12	1
A206-110/3	110X118X7/5	110	118	118,6	113	5,3	1,5	7	1
A206-110/2	110X120X7/5	110	120	120	116	5,3	1,5	7	1
A206-110	110X122X12/7	110	122	122,2	116	7,2	3	12	1
A206-110/1	110X125X13/9,2	110	125	125,2	118	9,5	3	13	1,5
A206-112	112X124X12/7	112	124	124,2	118	7,1	3	12	1
A206-113	113X125X12/7	113	125	125	118,4	7,3	3	12	1
A206-115/1	115X123X7/5	115	123	123,2	118	5,3	1,5	7	1
A206-115/2	115X127X7/5	115	127	127,2	121	5,3	1,5	7	1
A206-115/3	115X127X10/7	115	127	127,2	121	7,2	3	10	1
A206-115	115X127X12/7	115	127	127,2	121	7,2	3	12	1
A206-120/3	120X128X7/5	120	128	128,6	123	5,3	1,5	7	1
A206-120/1	120X130X7/5	120	130	130	122,4	5,3	1,5	7	1
A206-120	120X132X12/7	120	132	132,2	126	7,2	3	12	1

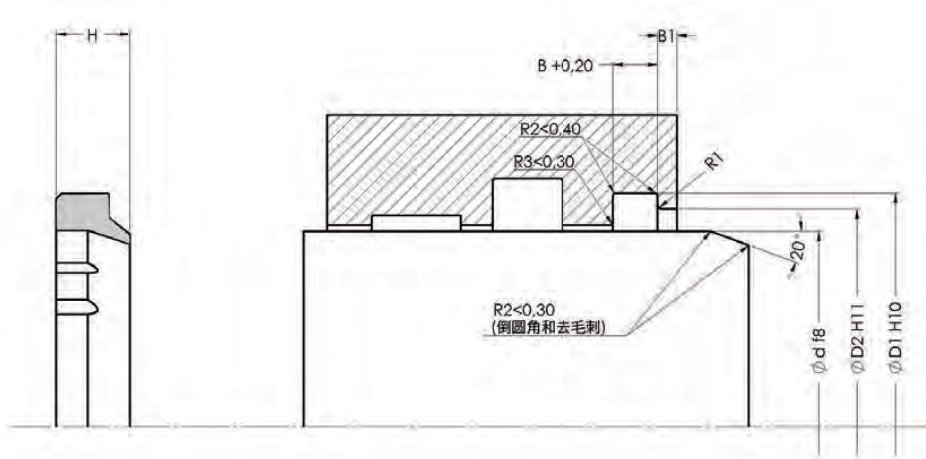
A206



ALP 码 - Code	尺寸- Dimension	Ød	ØD	ØD1	ØD2	B	B1	H	R1
A206-121	121X131X7/5	121	131	131	127,5	5,3	1,5	7	1
A206-125/1	125X133X7/5	125	133	133,6	128	5,3	1,5	7	1
A206-125/2	125X137X12/7	125	137	137,6	131	7,2	3	12	1
A206-125/4	125X138X11,5/8	125	138	138	132	8	3	11,5	1
A206-125	125X140X16/10	125	140	140	132,5	10,2	3	16	1,5
A206-125/3	125X140X13/8,6	125	140	140	132,5	8,8	3	13	1
A206-130	130X142X12/7	130	142	142,6	136	7,2	3	12	1
A206-135/1	135X147X7/5	135	147	147	141	5,3	1,5	7	1
A206-135/2	135X147X10/7	135	147	147	141	7,2	3	10	1
A206-135	135X147X12/7	135	147	147	141	7,2	3	12	1
A206-140/5	140X152X12/7	140	152	152,2	146	7,1	3	12	1
A206-140/3	140X155X14/9	140	155	155	150	9,3	3	14	1
A206-140	140X155X16/10	140	155	155	147,5	10,2	3	16	1,5
A206-140/4	140X155,6X16/10	140	155,6	155,6	148	10,2	3	16	1
A206-145	145X153X7/5	145	153	153,6	148	5,3	1,5	7	1
A206-145/4	145X157X12/7	145	157	157,2	151	7,3	3	12	1
A206-145/3	145X158X11/7,2	145	158	158	152	7,5	3	11	1
A206-150/1	150X162X12/7	150	162	162	156	7,2	3	12	1
A206-150	150X165X16/10	150	165	165	157,5	10,2	3	16	1,5
A206-150/2	150X165,6X16/10	150	165,6	165,6	157,5	10,2	3	16	1
A206-155/2	155X167X12/7	155	167	167	161	7,2	3	12	1
A206-155/3	155X167X10/7	155	167	167	161	7,2	3	10	1
A206-155	155X170X16/10	155	170	170	162,5	10,2	3	16	1,5
A206-158	158X170X12/7	158	170	170	164	7,2	3	12	1
A206-160/2	160X168X7/5	160	168	168	162,4	5,3	1,5	7	1
A206-160/3	160X172X7/5	160	172	172	166	5,3	1,5	7	1
A206-160/4	160X172X10/7	160	172	172	166	7,2	3	10	1
A206-160/1	160X172X12/7	160	172	172	166	7,2	3	12	1
A206-160/5	160X174X10/5,5	160	174	174,4	167,1	5,8	3	10	1
A206-160	160X175X16/10	160	175	175	167,5	10,2	3	16	1,5
A206-165/1	165X173X7/5	165	173	173,6	168	5,3	1,5	7	1
A206-165	165X177X12/7	165	177	177	171	7,2	3	12	1
A206-170	170X182X16/10	170	182	182	176	10,3	3	16	1
A206-170/1	170X182X12/7	170	182	182,2	176	7,2	3	12	1
A206-170/2	170X185X16/10	170	185	185	177,5	10,2	3	16	1,5
A206-175	175X187X12/7	175	187	187	181	7,2	3	12	1
A206-175/2	175X187X10/7	175	187	187	181	7,2	3	10	1
A206-180	180X200X18/10	180	200	200	190	10,2	3	18	3
A206-185/1	185X197X7/5	185	197	197	191	5,3	1,5	7	1
A206-185/2	185X197X10/7	185	197	197	191	7,2	3	10	1
A206-185	185X197X12/7	185	197	197	191	7,2	3	12	1
A206-190	190X210X18/10	190	210	210	199	10,2	3	18	3
A206-195	195X210X16/9	195	210	210	202,5	9,3	3	16	1,5
A206-200/2	200X215X16/10	200	215	215	207,4	10,3	3	16	1,5
A206-200	200X220X18/10	200	220	220	210	10,2	3	18	3
A206-210/1	210X225X16/10	210	225	225	217,6	10,2	3	16	1
A206-212	212X224X12/7	212	224	224	219	7,2	3	12	1
A206-215/3	215X227X10/7	215	227	227	221	7,2	3	10	3
A206-215/1	215X227X12/7	215	227	227	221	7,2	3	12	1
A206-215	215X237X18/10	215	237	237	225,4	10,3	3	18	3
A206-220	220X235X18/10	220	235	235	227,6	10,2	3	18	1,5
A206-220/1	220X240X16/10	220	240	240	227,6	10,2	3	16	3
A206-220/2	220X240X18/10	220	240	240	230	10,2	3	18	3
A206-230	230X250X18/10	230	250	250	240	10,2	3	18	3

A206





ALP 码 - Code	尺寸 - Dimension	Ød	ØD	ØD1	ØD2	B	B1	H	R1
A206-240	240X260X18/10	240	260	260	250	10,2	3	18	3
A206-250	250X270X18/10	250	270	270	260	10,2	3	18	3
A206-260	260X280X18/10	260	280	281	270	10,2	3	18	3
A206-280	280X300X18/10	280	300	300	290	10,3	3	18	3
A206-300	300X320X18/10	300	320	320	310	10,2	3	18	3
A206-380	380X400X18/10	380	400	400	390	10,2	3	18	3
A206-400	400X420X18/10	400	420	420	410	10,2	3	18	3
A206-450	450X474,5X22/12	450	474,5	474,5	462	12	3	22	3

A206





A208

A208双唇防尘圈主要为了防止外部的有害颗粒物进入液压缸内, 并且用第二密封唇改善液压缸中轴杆的油膜厚度。

为了防止在杆密封件和A208 双唇防尘圈中产生液动力压力问题, A208 必需和必须合适当的杆密封件组合使用, 或采用开式沟槽结构。

A208 combined double wipers are designed to prevent hydraulic cylinders from any unfavourable particles incoming from outside and refine oil film thickness in the connecting rod of cylinders with their second sealing lip.

In order to avoid any possible hydrodynamic pressure problems between rod seals and A208 double wipers, they must be combined with suitable rod seals or drainage channel must be opened in this area.

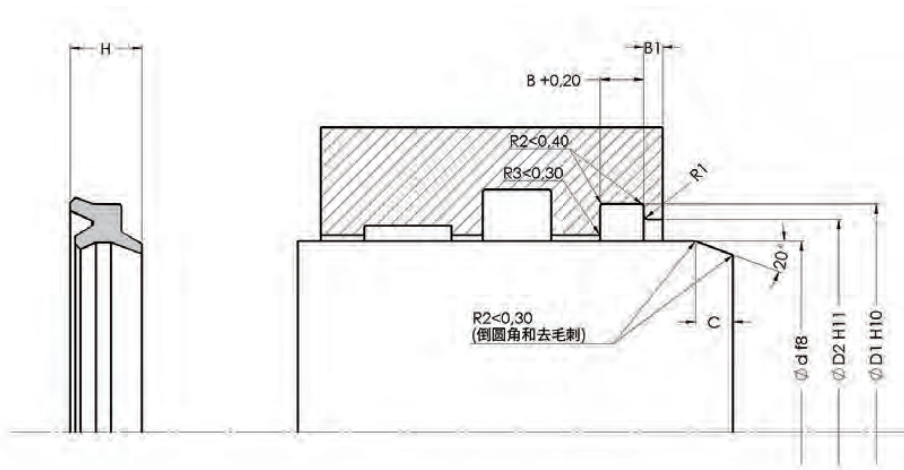
技术参数 / TECHNICAL DATA

标准材料 / Standard Materials	NBR	PU
工作温度 / Working Temperature	-30 +105°C	-40 +100°C
滑动速度 / Sliding Speed	1.00 m/sn	1.00 m/sn
材料 / Material	90 NBR	92 PU
介质 / Media	矿物基液压油 / Mineral Base Hydraulic Oil	

表面粗糙度 / Surface Roughness

	Ra	Rmax
动态表面 / Dynamic Surface	≤0.3 μm	≤ 3.2 μm
槽底部 / Groove Base	≤1.8 μm	≤ 10 μm
槽侧面 / Groove Flanks	≤3.00 μm	≤ 16 μm

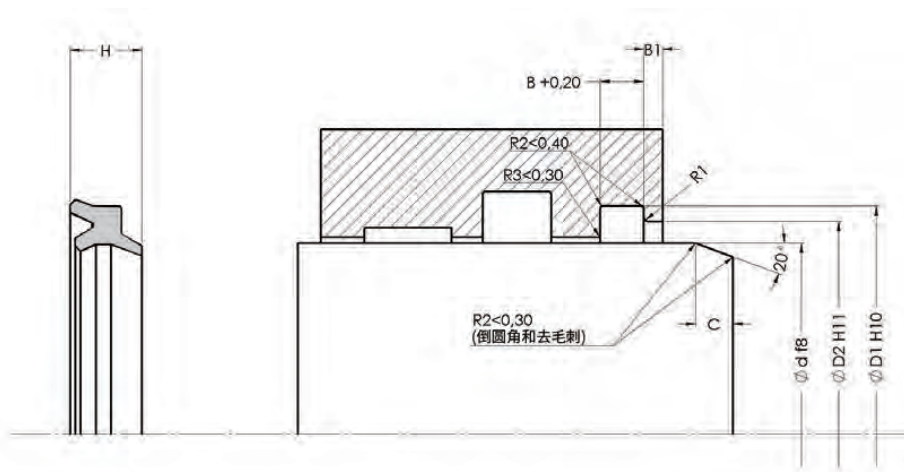




ALP 码 - Code	尺寸 - Dimension	Ød	ØD	ØD1	ØD2	B	B1	H	R1	NBR	PU
A208-010/1	10X15X6/5	10	15	15	12	5,3	1	6	0,5	NBR	PU
A208-010	10X16X4,8/3,6	10	16	16	12,4	3,9	1	4,8	0,5	NBR	PU
A208-011	11,2X19,2X6/4,5	11,2	19,2	19,2	15,5	4,8	1,5	6	0,5	NBR	PU
A208-012	12X18X4,8/3,6	12	18	18	14,6	3,9	1	4,8	0,5	NBR	PU
A208-012/1	12X18X7/4,8	12	18	18	15	5,1	1,5	7	0,5	NBR	PU
A208-012/3	12X20X6/4,5	12	20	20	16,3	4,8	1,5	6	0,5	NBR	PU
A208-012/2	12,76X20,42X5,97/4,77	12,76	20,42	20,42	15,62	5	1	5,97	0,5	NBR	PU
A208-014/1	14X20X4,8/3,6	14	20	20,6	17	3,9	1	4,8	0,5	NBR	PU
A208-014	14X22X6/4,5	14	22	22	18,3	4,8	1,5	6	0,5	NBR	PU
A208-015	15,93X23,59X5,97/4,77	15,93	23,59	23,59	18,79	5	1	5,97	0,5	NBR	PU
A208-016	16X22X5,5/3,5	16	22	22	19,6	3,8	1,5	5,5	0,5	NBR	PU
A208-016/1	16X24X6/4,3	16	24	24	19,2	4,6	1,5	6	0,5	NBR	PU
A208-016/2	16X24X6/4,5	16	24	24	20,3	4,8	1,5	6	0,5	NBR	PU
A208-018	18X24X4,8/3,6	18	24	24	20,6	3,9	1	4,8	0,5	NBR	PU
A208-018/2	18X24X4,8/3,5	18	24	24,3	20,9	3,8	1	4,8	0,5	NBR	PU
A208-018/3	18X26X6/4,5	18	26	26	22,3	4,8	1,5	6	0,5	NBR	PU
A208-020/1	20X28X6/4,5	20	28	28	24,3	4,8	1,5	6	1	NBR	PU
A208-020	20X28X7/5	20	28	28	23,2	5,3	1,5	7	1	NBR	PU
A208-022	22X28X5/3,6	22	28	28	24,6	3,9	1,5	5	1	NBR	PU
A208-022/3	22X30X6/4,5	22	30	30	26,3	4,8	1,5	6	1	NBR	PU
A208-022/1	22X30X7/5	22	30	30	25,2	5,3	1,5	7	1	NBR	PU
A208-022/4	22,4X30X6/4,5	22,4	30	30	26,3	4,8	1,5	6	1	NBR	PU
A208-022/2	22,4X30,4X6/4,5	22,4	30,4	30,4	26,7	4,8	1,5	6	1	NBR	PU
A208-025/5	25X31X4,8/3,6	25	31	31	27,5	3,9	1	4,8	0,5	NBR	PU
A208-025/4	25X32X5/4	25	32	32	27	4,3	1	5	0,5	NBR	PU
A208-025/1	25X33X6/4,5	25	33	33	29,3	4,8	1,5	6	1	NBR	PU
A208-025	25X33X7/5	25	33	33	28,2	5,3	1,5	7	1	NBR	PU
A208-025/3	25X35X8/6	25	35	35	28,2	6,3	1,5	8	1	NBR	PU
A208-025/2	25,46X34,72X6,73/5,15	25,46	34,72	34,72	27,92	5,45	1,5	6,73	1	NBR	PU
A208-028/1	28X36X5,8/4,5	28	36	36	31,1	4,8	1	5,8	0,5	NBR	PU
A208-028/2	28X36X6/4,5	28	36	36	32,3	4,8	1,5	6	1	NBR	PU
A208-028	28X36X7/5	28	36	36	31,2	5,3	1,5	7	1	NBR	PU
A208-030/1	30X38X6,5/5	30	38	38	34	5,3	1,5	6,5	1	NBR	PU
A208-030	30X38X7/5	30	38	38	33,2	5,3	1,5	7	1	NBR	PU
A208-030/2	30X40X6,5/5	30	40	40	35	5,3	1,5	6,5	1	NBR	PU
A208-031	31,5X39,5X6,5/5	31,5	39,5	39,5	35,5	5,3	1,5	6,5	1	NBR	PU
A208-032/2	32X40X5,8/5	32	40	40	35	5	1	5,8	0,5	NBR	PU
A208-032/1	32X40X6/4,5	32	40	40	35,2	4,8	1,5	6	1	NBR	PU
A208-032	32X40X7/5	32	40	40	35,2	5,3	1,5	7	1	NBR	PU

A208





ALP 码 - Code	尺寸 - Dimension	Ød	ØD	ØD1	ØD2	B	B1	H	R1	NBR	PU
A208-032/3	32X40X7/6	32	40	40	35	6	1	7	0,5	NBR	PU
A208-034	34,92X44,45X6,73/5,16	34,92	44,45	44,45	37,65	5,45	1,5	6,73	1	NBR	PU
A208-035/3	35X43X6,5/5	35	43	43	39	5,3	1,5	6,5	1	NBR	PU
A208-035	35X43X7/5	35	43	43	38,2	5,3	1,5	7	1	NBR	PU
A208-035/2	35X43X6/5	35	43	43,6	38	5,3	1	6	0,5	NBR	PU
A208-035/1	35X45X8/6	35	45	45,6	38,8	6,3	1,5	8	1	NBR	PU
A208-035,5	35,5X43,5X6,5/5	35,5	43,5	43,5	39,5	5,3	1,5	6,5	1	NBR	PU
A208-036/1	36X44X5,8/4,5	36	44	44	39,2	4,8	1	5,8	0,5	NBR	PU
A208-036/2	36X44X5/6,5	36	44	44	39,2	5,3	1,5	6,5	1	NBR	PU
A208-036	36X44X7/5	36	44	44	39,2	5,3	1,5	7	1	NBR	PU
A208-038	38X48X5,8/4	38	48	48	41,2	4,3	1,5	5,8	1	NBR	PU
A208-040/1	40X48X6,5/5	40	48	48	44	5,3	1,5	6,5	1	NBR	PU
A208-040	40X48X7/5	40	48	48,6	43,8	5,3	1,5	7	1	NBR	PU
A208-044	44,51X53,77X6,73/5,15	44,51	53,77	53,77	46,97	5,45	1,5	6,73	1	NBR	PU
A208-045/3	45X53X5,8/4,5	45	53	53	48,2	4,8	1	5,8	0,5	NBR	PU
A208-045/1	45X53X6,5/5	45	53	53	49	5,3	1,5	6,5	1	NBR	PU
A208-045/4	45X53X7/5	45	53	53,6	48	5,3	1,5	7	1	NBR	PU
A208-045	45X55X7/5	45	55	55	48,2	5,3	1,5	7	1	NBR	PU
A208-050/3	50X58X6,5/5	50	58	58	54	5,3	1,5	6,5	1	NBR	PU
A208-050/2	50X58X7/5	50	58	58,6	53,8	5,3	1,5	7	1	NBR	PU
A208-050	50X60X7/5	50	60	60,6	53,8	5,3	1,5	7	1	NBR	PU
A208-050/4	50,86X60,12X6,73/5,15	50,86	60,12	60,12	53,32	5,45	1,5	6,73	1	NBR	PU
A208-053	53X61X6,5/5	53	61	61	57	5,3	1,5	6,5	1	NBR	PU
A208-055/1	55X63X6,5/5	55	63	63	59	5,3	1,5	6,5	1	NBR	PU
A208-055/2	55X63,6X6/5	55	63,6	63,6	58,8	5,3	1	6	0,5	NBR	PU
A208-055/3	55X65X5,8/5	55	65	65	58	5,3	1	5,8	0,5	NBR	PU
A208-055	55X65X7/5	55	65	65	58,2	5,3	1,5	7	1	NBR	PU
A208-056/1	56X64X6,5/5	56	64	64	60	5,3	1,5	6,5	1	NBR	PU
A208-056	56X64X7/5	56	64	64,6	59	5,3	1,5	7	1	NBR	PU
A208-056/2	56X66X6,8/5,3	56	66	66	59,2	5,6	1,5	6,8	1	NBR	PU
A208-060/1	60X68X6,5/5	60	68	68	64	5,3	1,5	6,5	1	NBR	PU
A208-060	60X70X7/5	60	70	70	63,2	5,3	1,5	7	1	NBR	PU
A208-060/2	60X70X8/6	60	70	70	63,2	6,3	1,5	8	1	NBR	PU
A208-063	63X71X7/5	63	71	71,6	66,8	5,3	1,5	7	1	NBR	PU
A208-063/1	63X73X7/5	63	73	73,6	66,8	5,3	1,5	7	1	NBR	PU
A208-063/2	63,57X76,12X8,66/6,75	63,57	76,12	76,12	68,72	7,05	1,5	8,66	1	NBR	PU
A208-065/1	65X73X6,5/5	65	73	73	69	5,3	1,5	6,5	1	NBR	PU
A208-065	65X75X7/5	65	75	75	68,2	5,3	1,5	7	1	NBR	PU
A208-067	67X75X6,5/5	67	75	75	71	5,3	1,5	6,5	1	NBR	PU

A208

ALP 码 - Code	尺寸- Dimension	Ød	ØD	ØD1	ØD2	B	B1	H	R1	NBR	PU
A208-070/2	70X80X8/6	70	80	80	75	6,3	1,5	8	1	NBR	PU
A208-070/1	70X80X6,8/5,3	70	80	80,6	73,8	5,3	1,5	6,8	1	NBR	PU
A208-070	70X80X7/5	70	80	80,6	73,8	5,3	1,5	7	1	NBR	PU
A208-071	71X81X8/6	71	81	81	76	6,3	1,5	8	1	NBR	PU
A208-075/2	75X85X8/6	75	85	85	80	6,3	1,5	8	1	NBR	PU
A208-075	75X87X12/7	75	87	87	81	7,3	3	12	1	NBR	PU
A208-076	76,2X88,9X8,66/6,75	76,2	88,9	88,9	81,5	7,05	1,5	8,66	1	NBR	PU
A208-080/2	80X90X8/6	80	90	90	85	6,3	1,5	8	1	NBR	PU
A208-080/1	80X90X12/7	80	90	90	83,2	7,3	3	12	1	NBR	PU
A208-080	80X92X12/7	80	92	92	86	7,3	3	12	1	NBR	PU
A208-085/1	85X95X8/6	85	95	95	90	6,3	1,5	8	1	NBR	PU
A208-085	85X97X12/7	85	97	97	91	7,3	3	12	1	NBR	PU
A208-088	88,97X101,52X8,66/6,75	88,97	101,5	101,52	94,92	6,75	1,5	8,66	1	NBR	PU
A208-089	89,7X101,52X8,66/6,75	89,7	101,5	101,72	95,22	6,75	1,5	8,66	1	NBR	PU
A208-090	90X100X8/6	90	100	100	93,2	6,2	1,5	8	1	NBR	PU
A208-090/2	90X100X6,8/5,3	90	100	100,6	93,7	5,6	1,5	6,8	1	NBR	PU
A208-090/1	90X102,2X12/7,1	90	102,2	102,2	95,9	7,4	3	12	1	NBR	PU
A208-095	95X105X8/6	95	105	105	100	6,3	1,5	8	1	NBR	PU
A208-098	98X108X8/6	98	108	108	103	6,3	1,5	8	1	NBR	PU
A208-100	100X110X8/6	100	110	110	105	6,3	1,5	8	1	NBR	PU
A208-101	101,67X114,22X8,66/6,75	101,67	114,22	114,22	106,82	7,05	1,5	8,66	1	NBR	PU
A208-105	105X115X8/6	105	115	115	110	6,3	1,5	8	1	NBR	PU
A208-106	106X116X8/6	106	116	116	111	6,3	1,5	8	1	NBR	PU
A208-110	110X120X8/6	110	120	120	115	6,3	1,5	8	1	NBR	PU
A208-110/1	110X125X9,5/7,5	110	125	125	114	7,8	1,5	9,5	1	NBR	PU
A208-112	112X122X8/6	112	122	122	117	6,3	1,5	8	1	NBR	PU
A208-115	115X125X8/6	115	125	125	118,2	6,3	1,5	8	1	NBR	PU
A208-118	118X128X8/6	118	128	128	123	6,3	1,5	8	1	NBR	PU
A208-120	120X133X9,5/7	120	133	133	127	7,3	2	9,5	1	NBR	PU
A208-125/1	125X138X9,5/7	125	138	138	132	7,3	2	9,5	1	NBR	PU
A208-125	125X140X9,5/7,5	125	140	140	130,6	7,6	1,5	9,5	1	NBR	PU
A208-127	127X139,7X8,66X6,75	127	139,7	139,7	132,1	7,05	1,5	8,66	1	NBR	PU
A208-132	132X145X9,5/7	132	145	145	139	7,3	2	9,5	1	NBR	PU
A208-136	136X149X9,5/7	136	149	149	143	7,3	2	9,5	1	NBR	PU
A208-140	140X153X9,5/7	140	153	153	147	7,3	2	9,5	1	NBR	PU
A208-145	145X158X9,5/7	145	158	158	152	7,3	2	9,5	1	NBR	PU
A208-150/1	150X163X9,5/7	150	163	163	157	7,3	2	9,5	1	NBR	PU
A208-150	150X164X9,5/7	150	164	164	157	7,3	2	9,5	1	NBR	PU
A208-155	155X168X9,5/7	155	168	168	162	7,3	2	9,5	1	NBR	PU
A208-160/1	160X173X9,5/7	160	173	173	167	7,3	2	9,5	1	NBR	PU
A208-160	160X174X9,5/7	160	174	174	167	7,3	2	9,5	1	NBR	PU
A208-165/1	165X178X9,5/7	165	178	178	172	7,3	2	9,5	1	NBR	PU
A208-165	165X179X9,5/7	165	179	179	172	7,3	2	9,5	1	NBR	PU
A208-200	200X214X9,5/7	200	214	214	207	7,3	2	9,5	1	NBR	PU
A208-204	204X218X9,5/7	204	218	218	211	7,3	2	9,5	1	NBR	PU
A208-212	212X226X9,5/7	212	226	226	219	7,3	2	9,5	1	NBR	PU
A208-250	250X264X9,5/7	250	264	264	257	7,3	2	9,5	1	NBR	PU

A208





A211

A211 重载刮刀密封圈用于刮水器前部，由特殊的硬质聚酰胺材料制成。A211专为户外液压缸而设计（例如，使用室外的重型机械的液压缸，雪犁等）可防止可能的负性硬固体颗粒（沙，脏物，切屑）进入系统或刮掉杆上的任何冰。它总是应与附加的弹性体擦拭布一起使用。应避免背压。

It is a heavy-duty scraper seal, used in front of wipers, which is produced with special hard polyamide material. Our A211 is designed especially for the outdoor hydraulic cylinders to prevent possible negative hard solid particulate (sand, dirt, swarf) from going into the system or to scrape off any ice on the rod. It is always used with an additional elastomer wiper. Back-pressure should be avoided.

技术参数 / TECHNICAL DATA

工作温度 / Working Temperature	-40 +100°C
滑动速度 / Sliding Speed	1.00 m/sn
材料 / Material	PA

表面粗糙度 / Surface Roughness

	Ra	Rmax
动态表面 / Dynamic Surface	≤0.4 μm	≤3.2 μm
槽底部 / Groove Base	≤1.6 μm	≤10 μm
槽侧面 / Groove Flanks	≤3.2 μm	≤16 μm





A262

广泛使用的A262防尘圈主要是为了防止任何有害的颗粒物进入液压缸系统内。

A262防尘圈是特殊PU材料制成的, 它可以用于重型安全使用。

A262 wipers, which have a widespread use, are designed to prevent the entry of unfavourable particles into the system of hydraulic cylinders.

Thanks to endurance grade special PU material, A262 wipers can be safely used in heavy duty applications.

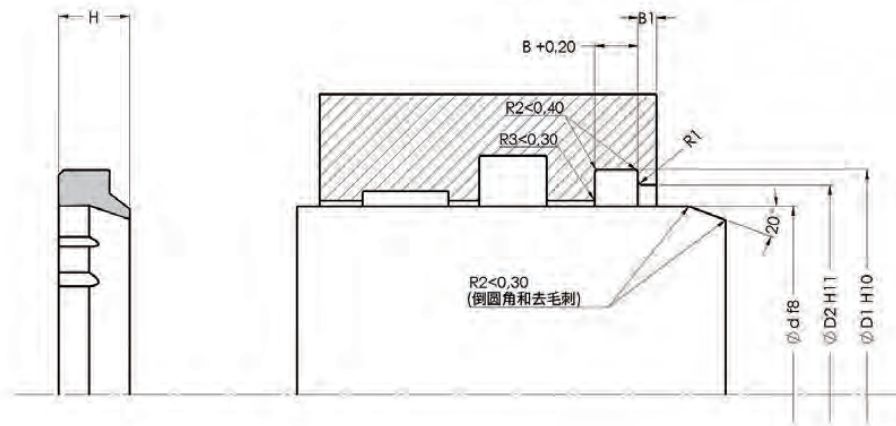
技术参数 / TECHNICAL DATA

工作温度 / Working Temperature	-35 +110°C
滑动速度 / Sliding Speed	1.00 m/sn
材料 / Material	95 PU

表面粗糙度 / Surface Roughness

	Ra	Rmax
动态表面 / Dynamic Surface	≤0.4 μm	≤3.2 μm
槽底部 / Groove Base	≤1.6 μm	≤10 μm
槽侧面 / Groove Flanks	≤3.2 μm	≤16 μm

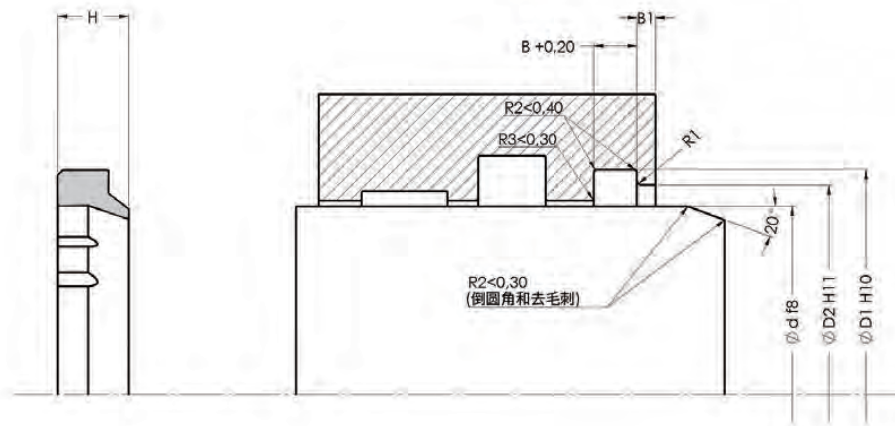




ALP 码 - Code	尺寸 - Dimension	Ød	ØD	ØD1	ØD2	B	B1	H	R1	PU
A262-008	8X14X5/3	8	14	14,6	11	3,3	1,5	5	1	PU
A262-008/1	8X14,6X4,5/3,8	8	14,6	14,6	11	3,8	1	4,5	1	PU
A262-010/1	10X14X3/2	10	14	14,2	12,8	2,3	1	3	1	PU
A262-010/2	10X17X4/3	10	17	17	14	3,3	1	4	1	PU
A262-010	10X18X8/5	10	18	18	12,4	5,3	3	8	1	PU
A262-012/1	12X16X4,5/3	12	16	16	14,5	3,2	1,5	4,5	1	PU
A262-012/3	12X18X5/3	12	18	18,6	15	3,3	1,5	5	1	PU
A262-012	12X18X5,5/3,4	12	18	18,6	14,4	3,7	1,5	5,5	1	PU
A262-012/2	12X18X5/3,5	12	18	18,6	14,4	3,8	1,5	5	1	PU
A262-014	14X18X3,3/2	14	18	18,6	16,5	2,3	1	3,3	1	PU
A262-014/1	14X20X5/3,5	14	20	20,6	17	3,8	1,5	5	1	PU
A262-015/2	15X21,6X5,5/3,8	15	21,6	21,6	18	3,8	1,5	5,5	1	PU
A262-015/3	15X21X5/3	15	21	21,8	18	3,3	1,5	5	1	PU
A262-015	15X21X5/3,5	15	21	21,8	18	3,8	1,5	5	1	PU
A262-015/1	15X27X7/5	15	27	27,3	18,5	5,3	1,5	7	1	PU
A262-016/4	16X22X5/3	16	22	22,6	19	3,3	1,5	5	1	PU
A262-016/1	16X22X5,5/3,4	16	22	22,6	19	3,7	1,5	5,5	1	PU
A262-016/2	16X22X5/3,5	16	22	22,6	19	3,9	1,5	5	1	PU
A262-016	16X24X7/5	16	24	24,6	19	5,3	1,5	7	1	PU
A262-018/1	18X24X5/3,5	18	24	24	20,4	3,8	1,5	5	1	PU
A262-018/4	18X24X6/4,5	18	24	24	21	4,8	1,5	6	1	PU
A262-018/3	18X24,6X5/3,5	18	24,6	24,6	21	3,8	1,5	5	1	PU
A262-018/6	18X24X5,5/3,5	18	24	24,6	21	3,8	1,5	5,5	1	PU
A262-018/2	18X24X7/4,3	18	24	24,6	21	4,5	2	7	1	PU
A262-018	18X26X7/5	18	26	26,6	21	5,3	1,5	7	1	PU
A262-018/5	18X30X7/5	18	30	30,6	21	5,3	1,5	7	1	PU
A262-019/3	19X23,50X4,70/2,60	19	23,5	23,5	21,7	2,9	1,5	4,7	1	PU
A262-019/1	19X25X6/4	19	25	25	22	4,2	1,5	6	1	PU
A262-019/2	19X28X7/5	19	28	28,4	23	5,3	1,5	7	1	PU
A262-019	19,05X28,49X7,15/4,76	19,05	28,49	28,49	23,4	4,76	2	7,15	1	PU
A262-020/1	20X25X6/4	20	25	25	23	4,3	1,5	6	1	PU
A262-020/2	20X28,3X7/4,7	20	28,3	28,3	23,8	5	2	7	1	PU
A262-020	20X28X7/5	20	28	28,6	23	5,3	1,5	7	1	PU
A262-020/3	20X30X7/5	20	30	30	22,4	5,3	1,5	7	1	PU
A262-021	21X26X5/3,2	21	26	26	23,4	3,5	1,5	5	1	PU
A262-022	22X30X7/5	22	30	30,6	25	5,3	1,5	7	1	PU
A262-022/2	22,22X31,75X7,1/4,46	22,22	31,75	31,75	28,15	4,76	2	7,1	1	PU
A262-024	24X32X7/5	24	32	32,6	27	5,3	1,5	7	1	PU
A262-025/1	25X30X6,5/4,5	25	30	30	27,2	4,8	1,5	6,5	1	PU

A262





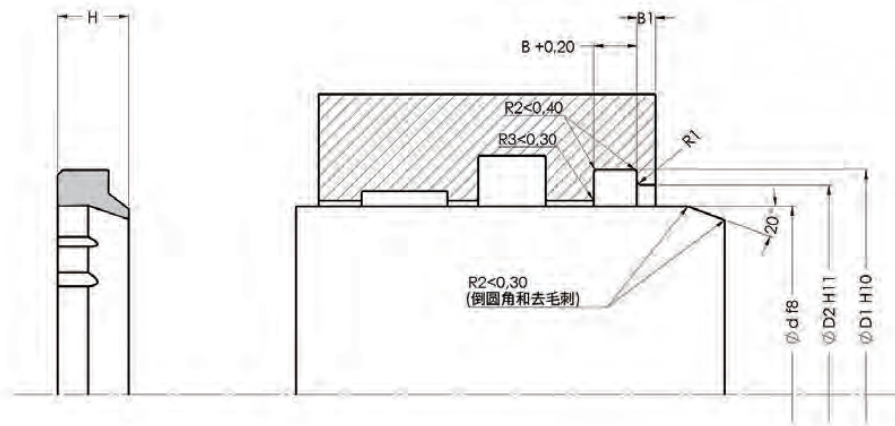
ALP 码 - Code	尺寸 - Dimension	Ød	ØD	ØD1	ØD2	B	B1	H	R1	PU
A262-025	25X33X7/5	25	33	33,6	28	5,3	1,5	7	1	PU
A262-025/4	25,4X32,33X4,5/2,72	25,4	32,33	32,33	29,16	2,72	1,5	4,5	1	PU
A262-025/2	25,4X34,93X7,15/4,46	25,4	34,93	34,93	28,4	4,76	2	7,15	1	PU
A262-026	26X33X7/4	26	33	33,2	29	4,3	3	7	1	PU
A262-027	27X35X7/5	27	35	35	29,4	5,3	1,5	7	1	PU
A262-028/3	28X36X8/5	28	36	36	33,5	5	3	8	1	PU
A262-028/4	28X35,5X7/5,3	28	35,5	36	32	5,3	1,5	7	1	PU
A262-028	28X36X7/5	28	36	36,6	31	5,3	1,5	7	1	PU
A262-030	30X38X7/5	30	38	38,6	33	5,3	1,5	7	1	PU
A262-030/2	30X40X4/2,8	30	40	40,2	34,2	3,1	1	4	1	PU
A262-030/1	30X45X8/5	30	45	45	35,4	5,3	3	8	1	PU
A262-031	31,75X41,27X7,15/4,76	31,75	41,19	41,19	37,89	4,76	2	7,15	1	PU
A262-032/1	32X40X5/3,5	32	40	40,2	35	3,8	1,5	5	1	PU
A262-032	32X40X7/5	32	40	40,6	35	5,3	1,5	7	1	PU
A262-033	33X42X7/5	33	42	42	35,4	5,3	1,5	7	1	PU
A262-033/1	33X42,6X7/5,3	33	42,6	42,6	36	5,3	1,5	7	1	PU
A262-034	34,92X44,37X7,15/4,46	34,92	44,37	44,37	41,07	4,76	2	7,15	1	PU
A262-035/1	35X40X5/3,5	35	40	40,2	38	3,8	1,5	5	1	PU
A262-035	35X43X7/5	35	43	43,6	38	5,3	1,5	7	1	PU
A262-035/4	35X45X7/5	35	45	45	38	5,3	1,5	7	1	PU
A262-035/3	35X47X7/4	35	47	47,2	38	4,3	3	7	1	PU
A262-035/2	35X47X7/5	35	47	47,6	38	5,3	1,5	7	1	PU
A262-035/5	35,5X43,7X8/6	35,5	43,7	43,7	39,5	6	2	8	1	PU
A262-036	36X44X7/5	36	44	44,6	39	5,3	1,5	7	1	PU
A262-038/1	38X46X7/5	38	46	46,6	41	5,3	1,5	7	1	PU
A262-038/3	38X46X9/7	38	46	46,6	42,2	7,3	1,5	9	1	PU
A262-038	38,10X47,54X7,15/4,76	38,1	47,54	47,54	44,38	4,76	2	7,15	1	PU
A262-038/2	38,10X47,62X7/4,8	38,1	47,62	47,62	44,42	4,8	2	7	1	PU
A262-040/5	40X48X8/5	40	48	48	45,5	5	3	8	1	PU
A262-040/1	40X48X7/4	40	48	48,6	43	4,3	3	7	1	PU
A262-040	40X48X7/5	40	48	48,6	43	5,3	1,5	7	1	PU
A262-040/3	40X50X7/5	40	50	50,6	43	5,3	1,5	7	1	PU
A262-040/2	40X52X8/5	40	52	52,2	46	5,3	3	8	1	PU
A262-040/4	40X52,2X8/6	40	52,2	52,2	46	6,3	1,5	8	1	PU
A262-042	42X50X7/5	42	50	50,6	45	5,3	1,5	7	1	PU
A262-044/1	44,45X51,56X7/4,82	44,45	51,56	51,56	46,99	4,82	2	7	1	PU
A262-044	44,45X53,97X7,15/4,76	44,45	53,97	53,97	50,67	4,76	2	7,15	1	PU
A262-045/1	45X53X7/5	45	53	53,6	48	5,3	1,5	7	1	PU
A262-045	45X55X7/5	45	55	55,6	48	5,3	1,5	7	1	PU

A262

ALP 码 - Code	尺寸 - Dimension	Ød	ØD	ØD1	ØD2	B	B1	H	R1	PU
A262-046	46X54X7/5	46	54	54	48,4	5,3	1,5	7	1	PU
A262-046/1	46X54,6X7/5	46	54	54,6	49	5,3	1,5	7	1	PU
A262-048	48X56X7/5	48	56	56,6	51	5,3	1,5	7	1	PU
A262-050/1	50X58X6/4	50	58	58,6	53	4,3	1,5	6	1	PU
A262-050/2	50X58X7/5	50	58	58,6	53	5,3	1,5	7	1	PU
A262-050	50X60X7/5	50	60	60,6	53	5,3	1,5	7	1	PU
A262-050/4	50,8X58,42X7/5,08	50,8	58,42	58,42	53,34	5,08	1,5	7	1	PU
A262-050/3	50,8X63,5X9,52/6,35	50,8	63,5	63,5	57	6,35	3	9,52	1	PU
A262-053	53X61X7/5	53	61	61,6	56,2	5,3	1,5	7	1	PU
A262-055/2	55X63X7/5	55	63	63,6	58	5,3	1,5	7	1	PU
A262-055	55X65X7/5	55	65	65,6	58	5,3	1,5	7	1	PU
A262-055/3	55X65X7/5	55	65	65,6	59	5,3	1,5	7	1	PU
A262-055/1	55X67X12/7	55	67	67,2	61	7,2	3	12	1	PU
A262-056/1	56X64X7/5	56	64	64,6	59	5,3	1,5	7	1	PU
A262-056	56X66X7/5	56	66	66,6	59	5,3	1,5	7	1	PU
A262-057	57,15X69,85X9,52/6,35	57,15	69,85	69,85	63,85	6,35	3	9,52	1	PU
A262-058	58X68X7/5	58	68	68,6	61	5,3	1,5	7	1	PU
A262-060/1	60X68X7/5	60	68	68,6	63	5,3	1,5	7	1	PU
A262-060/5	60X70X9/6	60	70	70	66	6	3	9	1	PU
A262-060/4	60X70X10/7	60	70	70,3	63	7,2	3	10	1	PU
A262-060	60X70X7/5	60	70	70,6	63	5,3	1,5	7	1	PU
A262-060/6	60X70,6X7/5,5	60	70,6	70,6	63	5,5	1,5	7	1	PU
A262-060/2	60X70X10/6	60	70	70,6	63	6,3	3	10	1	PU
A262-060/3	60,32X73,02X9,52/6,12	60,32	73,02	73,02	67,42	6,42	3	9,52	1	PU
A262-063/1	63X71X7/5	63	71	71,6	66	5,3	1,5	7	1	PU
A262-063	63X73X7/5	63	73	73,6	66	5,3	1,5	7	1	PU
A262-063/3	63X75,20X9/7	63	75,2	75,8	66	7,2	1,5	9	1	PU
A262-063/2	63,5X76,12X9,52/6,35	63,5	76,12	76,12	70,2	6,35	3	9,52	1	PU
A262-065/2	65X73X7/5	65	73	73,6	68	5,3	1,5	7	1	PU
A262-065/3	65X75X10/6,3	65	75	75	72	6,3	3	10	1	PU
A262-065	65X75X7/5	65	75	75,6	68	5,3	1,5	7	1	PU
A262-065/1	65X77X12/7	65	77	77,2	71	7,2	3	12	1	PU
A262-069	69,72X79,62X6,35/4,46	69,72	79,62	79,62	73,22	4,76	1,5	6,35	1	PU
A262-070/1	70X78X7/5	70	78	78,6	73	5,3	1,5	7	1	PU
A262-070	70X80X7/5	70	80	80,6	73	5,3	1,5	7	1	PU
A262-070/2	70X80X10/7	70	80	80,6	73	7,2	3	10	1	PU
A262-070/6	70X82,2X12/7,2	70	82,2	82,2	76	7,2	3	12	1	PU
A262-070/3	70X82X12/7	70	82	82,6	76	7,2	3	12	1	PU
A262-070/5	70X85X10,5/6	70	85	85	77	6,3	3	10,5	1	PU
A262-073	73X81X7/5	73	81	81,6	76	5,3	1,5	7	1	PU
A262-075/1	75X83X7/5	75	83	83,2	78	5,3	1,5	7	1	PU
A262-075/4	75X85X9/5,7	75	85	85	80,4	6	3	9	1	PU
A262-075/5	75X85,6X7/5,3	75	85,6	85,6	79,8	5,3	1,5	7	1	PU
A262-075/2	75X87X7/5	75	87	87,2	81	5,3	1,5	7	1	PU
A262-075/3	75X87X10/7	75	87	87,2	81	7,2	3	10	1	PU
A262-075	75X87X12/7	75	87	87,2	81	7,2	3	12	1	PU
A262-076/1	76,2X85,85X8/6,09	76,2	85,85	85,85	79,5	6,09	1,5	8	1	PU
A262-076	76,2X88,9X9,52/6,35	76,2	88,9	88,9	84,5	6,35	3	9,52	1	PU
A262-078/1	78X86X7/5	78	86	86	82	5,2	1,5	7	1	PU
A262-078	78X92X12/7	78	92	92,2	85	7,3	3	12	1	PU
A262-080/1	80X88X7/5	80	88	88,6	83	5,3	1,5	7	1	PU
A262-080/3	80X90X7/5	80	90	90	83	5,3	1,5	7	1	PU
A262-080/2	80X90X9/6	80	90	90,2	83	6,3	3	9	1	PU
A262-080	80X92X12/7	80	92	92,2	86	7,2	3	12	1	PU

A262





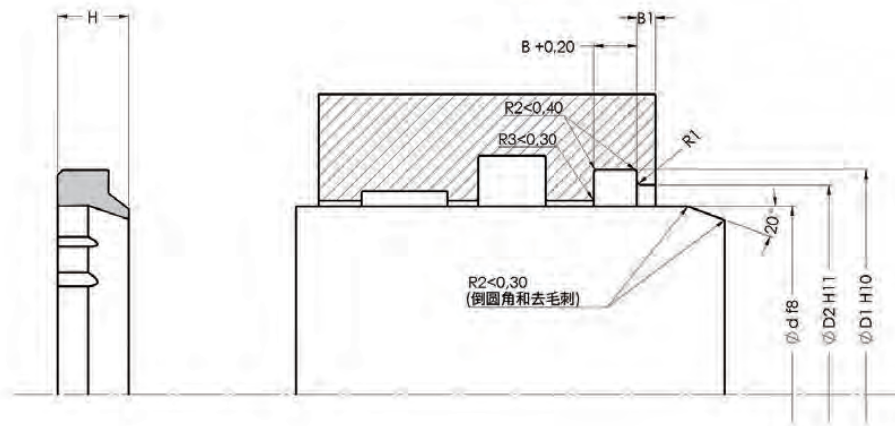
ALP 码 - Code	尺寸 - Dimension	Ød	ØD	ØD1	ØD2	B	B1	H	R1	PU
A262-080/4	80X96X12/8	80	96	96	85,6	8,3	3	12	1	PU
A262-084	84X91,7X7/5	84	91,7	92,3	87	5,3	1,5	7	1	PU
A262-085/1	85X93X7/5	85	93	93,6	88	5,3	1,5	7	1	PU
A262-085/2	85X95X7/5	85	95	95	87,4	5,3	1,5	7	1	PU
A262-085	85X97X12/7	85	97	97,2	91	7,2	3	12	1	PU
A262-088	88,9X101,6X9,52/6,35	88,9	101,6	101,6	97,21	6,35	3	9,52	1	PU
A262-090/1	90X98X7/5	90	98	98	92,4	5,3	1,5	7	1	PU
A262-090/2	90X100X7/5	90	100	100	93	5,3	1,5	7	1	PU
A262-090/3	90X100X9/6	90	100	100	96,8	6,3	3	9	1	PU
A262-090/5	90X100X9/6	90	100	100	96,8	6,3	3	9	1	PU
A262-090/4	90X102X8/6	90	102	102,2	94	6	2	8	1	PU
A262-090	90X102X12/7	90	102	102,2	96	7,2	3	12	1	PU
A262-095/1	95X103X7/5	95	103	103,6	98	5,3	1,5	7	1	PU
A262-095/2	95X105X8/6	95	105	105,2	97,6	6,35	1,5	8	1	PU
A262-095/4	95X107X7/5	95	107	107,2	101	5,3	1,5	7	1	PU
A262-095/5	95X107X10/7	95	107	107,2	101	7,2	3	10	1	PU
A262-095	95X107X12/7	95	107	107,2	101	7,2	3	12	1	PU
A262-097	97X105X7/5	97	105	105	100	5	2	7	1	PU
A262-100/3	100X108X7/5	100	108	108,6	103	5,3	1,5	7	1	PU
A262-100/2	100X110X7/5	100	110	110	103	5,3	1,5	7	1	PU
A262-100/4	100X110X9,5/6,5	100	110	110	105	6,5	3	9,5	1	PU
A262-100	100X112X12/7	100	112	112,2	106	7,2	3	12	1	PU
A262-100/1	100X115X13/9,2	100	115	115,2	108	9,5	3	13	1,5	PU
A262-101	101,6X114,3X9,52/6,35	101,6	114,3	114,3	109,91	6,35	3	9,52	1	PU
A262-105/1	105X113X7/5	105	113	113,6	108	5,3	1,5	7	1	PU
A262-105	105X117X12/7	105	117	117,2	111	7,2	3	12	1	PU
A262-110/3	110X118X7/5	110	118	118,6	113	5,3	1,5	7	1	PU
A262-110/2	110X120X7/5	110	120	120	116	5,3	1,5	7	1	PU
A262-110	110X122X12/7	110	122	122,2	116	7,2	3	12	1	PU
A262-110/1	110X125X13/9,2	110	125	125,2	118	9,5	3	13	1,5	PU
A262-112	112X124X12/7	112	124	124,2	118	7,1	3	12	1	PU
A262-113	113X125X12/7	113	125	125	118,4	7,3	3	12	1	PU
A262-115/1	115X123X7/5	115	123	123,2	118	5,3	1,5	7	1	PU
A262-115/2	115X127X7/5	115	127	127,2	121	5,3	1,5	7	1	PU
A262-115/3	115X127X10/7	115	127	127,2	121	7,2	3	10	1	PU
A262-115	115X127X12/7	115	127	127,2	121	7,2	3	12	1	PU
A262-120/3	120X128X7/5	120	128	128,6	123	5,3	1,5	7	1	PU
A262-120/1	120X130X7/5	120	130	130	122,4	5,3	1,5	7	1	PU
A262-120	120X132X12/7	120	132	132,2	126	7,2	3	12	1	PU

A262

ALP 码 - Code	尺寸 - Dimension	Ød	ØD	ØD1	ØD2	B	B1	H	R1	PU
A262-121	121X131X7/5	121	131	131	127,5	5,3	1,5	7	1	PU
A262-125/1	125X133X7/5	125	133	133,6	128	5,3	1,5	7	1	PU
A262-125/2	125X137X12/7	125	137	137,6	131	7,2	3	12	1	PU
A262-125/4	125X138X11,5/8	125	138	138	132	8	3	11,5	1	PU
A262-125	125X140X16/10	125	140	140	132,5	10,2	3	16	1,5	PU
A262-125/3	125X140X13/8,6	125	140	140	132,5	8,8	3	13	1	PU
A262-130	130X142X12/7	130	142	142,6	136	7,2	3	12	1	PU
A262-135/1	135X147X7/5	135	147	147	141	5,3	1,5	7	1	PU
A262-135/2	135X147X10/7	135	147	147	141	7,2	3	10	1	PU
A262-135	135X147X12/7	135	147	147	141	7,2	3	12	1	PU
A262-140/5	140X152X12/7	140	152	152,2	146	7,1	3	12	1	PU
A262-140/3	140X155X14/9	140	155	155	150	9,3	3	14	1	PU
A262-140	140X155X16/10	140	155	155	147,5	10,2	3	16	1,5	PU
A262-140/4	140X155,6X16/10	140	155,6	155,6	148	10,2	3	16	1	PU
A262-145	145X153X7/5	145	153	153,6	148	5,3	1,5	7	1	PU
A262-145/4	145X157X12/7	145	157	157,2	151	7,3	3	12	1	PU
A262-145/3	145X158X11/7,2	145	158	158	152	7,5	3	11	1	PU
A262-150/1	150X162X12/7	150	162	162	156	7,2	3	12	1	PU
A262-150	150X165X16/10	150	165	165	157,5	10,2	3	16	1,5	PU
A262-150/2	150X165,6X16/10	150	165,6	165,6	157,5	10,2	3	16	1	PU
A262-155/2	155X167X12/7	155	167	167	161	7,2	3	12	1	PU
A262-155/3	155X167X10/7	155	167	167	161	7,2	3	10	1	PU
A262-155	155X170X16/10	155	170	170	162,5	10,2	3	16	1,5	PU
A262-158	158X170X12/7	158	170	170	164	7,2	3	12	1	PU
A262-160/2	160X168X7/5	160	168	168	162,4	5,3	1,5	7	1	PU
A262-160/3	160X172X7/5	160	172	172	166	5,3	1,5	7	1	PU
A262-160/4	160X172X10/7	160	172	172	166	7,2	3	10	1	PU
A262-160/1	160X172X12/7	160	172	172	166	7,2	3	12	1	PU
A262-160/5	160X174X10/5,5	160	174	174,4	167,1	5,8	3	10	1	PU
A262-160	160X175X16/10	160	175	175	167,5	10,2	3	16	1,5	PU
A262-165/1	165X173X7/5	165	173	173,6	168	5,3	1,5	7	1	PU
A262-165	165X177X12/7	165	177	177	171	7,2	3	12	1	PU
A262-170	170X182X16/10	170	182	182	176	10,3	3	16	1	PU
A262-170/1	170X182X12/7	170	182	182,2	176	7,2	3	12	1	PU
A262-170/2	170X185X16/10	170	185	185	177,5	10,2	3	16	1,5	PU
A262-175	175X187X12/7	175	187	187	181	7,2	3	12	1	PU
A262-175/2	175X187X10/7	175	187	187	181	7,2	3	10	1	PU
A262-180	180X200X18/10	180	200	200	190	10,2	3	18	3	PU
A262-185/1	185X197X7/5	185	197	197	191	5,3	1,5	7	1	PU
A262-185/2	185X197X10/7	185	197	197	191	7,2	3	10	1	PU
A262-185	185X197X12/7	185	197	197	191	7,2	3	12	1	PU
A262-190	190X210X18/10	190	210	210	199	10,2	3	18	3	PU
A262-195	195X210X16/9	195	210	210	202,5	9,3	3	16	1,5	PU
A262-200/2	200X215X16/10	200	215	215	207,4	10,3	3	16	1,5	PU
A262-200	200X220X18/10	200	220	220	210	10,2	3	18	3	PU
A262-210/1	210X225X16/10	210	225	225	217,6	10,2	3	16	1	PU
A262-212	212X224X12/7	212	224	224	219	7,2	3	12	1	PU
A262-215/3	215X227X10/7	215	227	227	221	7,2	3	10	3	PU
A262-215/1	215X227X12/7	215	227	227	221	7,2	3	12	1	PU
A262-215	215X237X18/10	215	237	237	225,4	10,3	3	18	3	PU
A262-220	220X235X18/10	220	235	235	227,6	10,2	3	18	1,5	PU
A262-220/1	220X240X16/10	220	240	240	227,6	10,2	3	16	3	PU
A262-220/2	220X240X18/10	220	240	240	230	10,2	3	18	3	PU
A262-230	230X250X18/10	230	250	250	240	10,2	3	18	3	PU

A262





ALP 码 - Code	尺寸 - Dimension	Ød	ØD	ØD1	ØD2	B	B1	H	R1	PU
A262-240	240X260X18/10	240	260	260	250	10,2	3	18	3	PU
A262-250	250X270X18/10	250	270	270	260	10,2	3	18	3	PU
A262-260	260X280X18/10	260	280	281	270	10,2	3	18	3	PU
A262-280	280X300X18/10	280	300	300	290	10,3	3	18	3	PU
A262-300	300X320X18/10	300	320	320	310	10,2	3	18	3	PU
A262-380	380X400X18/10	380	400	400	390	10,2	3	18	3	PU
A262-400	400X420X18/10	400	420	420	410	10,2	3	18	3	PU
A262-450	450X474,5X22/12	450	474,5	474,5	462	12	3	22	3	PU

A262



A268

A268 双层防尘圈主要为了防止外部的有害颗粒物进入液压缸内, 并用第二密封唇改善液压缸中轴杆的油膜厚度。

为了防止在杆密封件和A268 双唇防尘圈中产生液动力压力问题, A268 必须和适当的杆密封件组合使用, 或采用开式沟槽结构。

得益于耐久等级的特殊PU材料, A268双刮水器可以安全地用于重型应用中。

A268 combined double wipers are designed to prevent hydraulic cylinders from any unfavourable particles incoming from outside and refine oil film thickness in the connecting rod of cylinders with their second sealing lip.

In order to avoid any possible hydrodynamic pressure problems between rod seals and A268 double wipers, they must be combined with suitable rod seals or drainage channel must be opened in this area.

Thanks to endurance grade special PU material, A268 double wipers can be safely used in heavy duty applications.

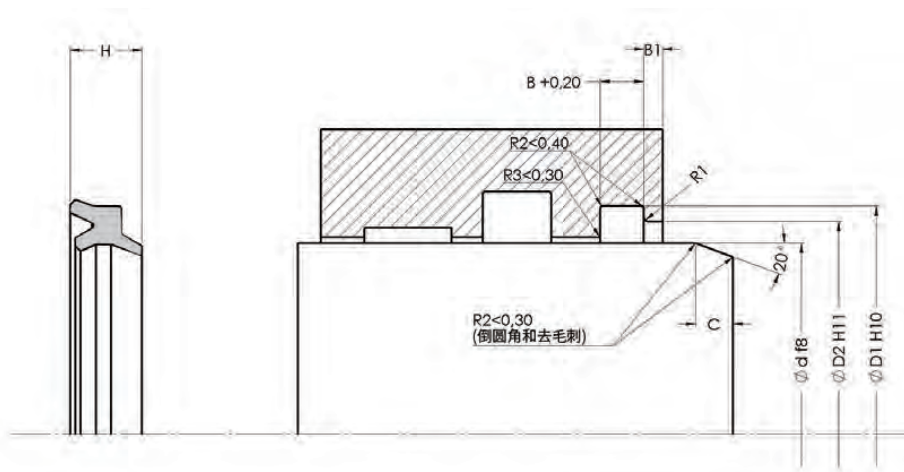
技术参数 / TECHNICAL DATA

工作温度 / Working Temperature	-35 +110°C
滑动速度 / Sliding Speed	1.00 m/sn
材料 / Material	95 PU
介质 / Media	矿物基液压油 / Mineral Base Hydraulic Oil

表面粗糙度 / Surface Roughness

	Ra	Rmax
动态表面 / Dynamic Surface	≤0.3 μm	≤ 3.2 μm
槽底部 / Groove Base	≤1.8 μm	≤ 10 μm
槽侧面 / Groove Flanks	≤3.00 μm	≤ 16 μm

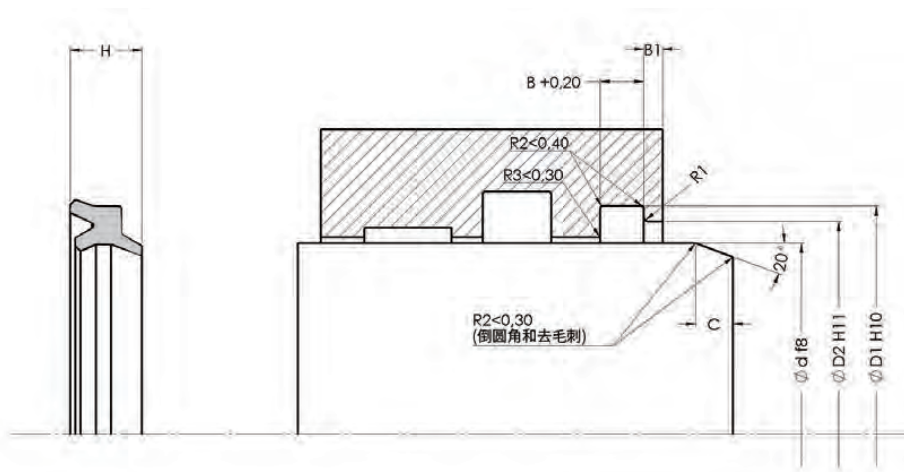




ALP 码 - Code	尺寸 - Dimension	Ød	ØD	ØD1	ØD2	B	B1	H	R1	PU
A268-010/1	10X15X6/5	10	15	15	12	5,3	1	6	0,5	PU
A268-010	10X16X4,8/3,6	10	16	16	12,4	3,9	1	4,8	0,5	PU
A268-011	11,2X19,2X6/4,5	11,2	19,2	19,2	15,5	4,8	1,5	6	0,5	PU
A268-012	12X18X4,8/3,6	12	18	18	14,6	3,9	1	4,8	0,5	PU
A268-012/1	12X18X7/4,8	12	18	18	15	5,1	1,5	7	0,5	PU
A268-012/3	12X20X6/4,5	12	20	20	16,3	4,8	1,5	6	0,5	PU
A268-012/2	12,76X20,42X5,97/4,77	12,76	20,42	20,42	15,62	5	1	5,97	0,5	PU
A268-014/1	14X20X4,8/3,6	14	20	20,6	17	3,9	1	4,8	0,5	PU
A268-014	14X22X6/4,5	14	22	22	18,3	4,8	1,5	6	0,5	PU
A268-015	15,93X23,59X5,97/4,77	15,93	23,59	23,59	18,79	5	1	5,97	0,5	PU
A268-016	16X22X5,5/3,5	16	22	22	19,6	3,8	1,5	5,5	0,5	PU
A268-016/1	16X24X6/4,3	16	24	24	19,2	4,6	1,5	6	0,5	PU
A268-016/2	16X24X6/4,5	16	24	24	20,3	4,8	1,5	6	0,5	PU
A268-018	18X24X4,8/3,6	18	24	24	20,6	3,9	1	4,8	0,5	PU
A268-018/2	18X24X4,8/3,5	18	24	24,3	20,9	3,8	1	4,8	0,5	PU
A268-018/3	18X26X6/4,5	18	26	26	22,3	4,8	1,5	6	0,5	PU
A268-020/1	20X28X6/4,5	20	28	28	24,3	4,8	1,5	6	1	PU
A268-020	20X28X7/5	20	28	28	23,2	5,3	1,5	7	1	PU
A268-022	22X28X5/3,6	22	28	28	24,6	3,9	1,5	5	1	PU
A268-022/3	22X30X6/4,5	22	30	30	26,3	4,8	1,5	6	1	PU
A268-022/1	22X30X7/5	22	30	30	25,2	5,3	1,5	7	1	PU
A268-022/4	22,4X30X6/4,5	22,4	30	30	26,3	4,8	1,5	6	1	PU
A268-022/2	22,4X30,4X6/4,5	22,4	30,4	30,4	26,7	4,8	1,5	6	1	PU
A268-025/5	25X31X4,8/3,6	25	31	31	27,5	3,9	1	4,8	0,5	PU
A268-025/4	25X32X5/4	25	32	32	27	4,3	1	5	0,5	PU
A268-025/1	25X33X6/4,5	25	33	33	29,3	4,8	1,5	6	1	PU
A268-025	25X33X7/5	25	33	33	28,2	5,3	1,5	7	1	PU
A268-025/3	25X35X8/6	25	35	35	28,2	6,3	1,5	8	1	PU
A268-025/2	25,46X34,72X6,73/5,15	25,46	34,72	34,72	27,92	5,45	1,5	6,73	1	PU
A268-028/1	28X36X5,8/4,5	28	36	36	31,1	4,8	1	5,8	0,5	PU
A268-028/2	28X36X6/4,5	28	36	36	32,3	4,8	1,5	6	1	PU
A268-028	28X36X7/5	28	36	36	31,2	5,3	1,5	7	1	PU
A268-030/1	30X38X6,5/5	30	38	38	34	5,3	1,5	6,5	1	PU
A268-030	30X38X7/5	30	38	38	33,2	5,3	1,5	7	1	PU
A268-030/2	30X40X6,5/5	30	40	40	35	5,3	1,5	6,5	1	PU
A268-031	31,5X39,5X6,5/5	31,5	39,5	39,5	35,5	5,3	1,5	6,5	1	PU
A268-032/2	32X40X5,8/5	32	40	40	35	5	1	5,8	0,5	PU
A268-032/1	32X40X6/4,5	32	40	40	35,2	4,8	1,5	6	1	PU
A268-032	32X40X7/5	32	40	40	35,2	5,3	1,5	7	1	PU

A268





ALP 码 - Code	尺寸 - Dimension	Ød	ØD	ØD1	ØD2	B	B1	H	R1	PU
A268-032/3	32X40X7/6	32	40	40	35	6	1	7	0,5	PU
A268-034	34,92X44,45X6,73/5,16	34,92	44,45	44,45	37,65	5,45	1,5	6,73	1	PU
A268-035/3	35X43X6,5/5	35	43	43	39	5,3	1,5	6,5	1	PU
A268-035	35X43X7/5	35	43	43	38,2	5,3	1,5	7	1	PU
A268-035/2	35X43X6/5	35	43	43,6	38	5,3	1	6	0,5	PU
A268-035/1	35X45X8/6	35	45	45,6	38,8	6,3	1,5	8	1	PU
A268-035,5	35,5X43,5X6,5/5	35,5	43,5	43,5	39,5	5,3	1,5	6,5	1	PU
A268-036/1	36X44X5,8/4,5	36	44	44	39,2	4,8	1	5,8	0,5	PU
A268-036/2	36X44X6,5/5	36	44	44	39,2	5,3	1,5	6,5	1	PU
A268-036	36X44X7/5	36	44	44	39,2	5,3	1,5	7	1	PU
A268-038	38X48X5,8/4	38	48	48	41,2	4,3	1,5	5,8	1	PU
A268-040/1	40X48X6,5/5	40	48	48	44	5,3	1,5	6,5	1	PU
A268-040	40X48X7/5	40	48	48,6	43,8	5,3	1,5	7	1	PU
A268-044	44,51X53,77X6,73/5,15	44,51	53,77	53,77	46,97	5,45	1,5	6,73	1	PU
A268-045/3	45X53X5,8/4,5	45	53	53	48,2	4,8	1	5,8	0,5	PU
A268-045/1	45X53X6,5/5	45	53	53	49	5,3	1,5	6,5	1	PU
A268-045/4	45X53X7/5	45	53	53,6	48	5,3	1,5	7	1	PU
A268-045	45X55X7/5	45	55	55	48,2	5,3	1,5	7	1	PU
A268-050/3	50X58X6,5/5	50	58	58	54	5,3	1,5	6,5	1	PU
A268-050/2	50X58X7/5	50	58	58,6	53,8	5,3	1,5	7	1	PU
A268-050	50X60X7/5	50	60	60,6	53,8	5,3	1,5	7	1	PU
A268-050/4	50,86X60,12X6,73/5,15	50,86	60,12	60,12	53,32	5,45	1,5	6,73	1	PU
A268-053	53X61X6,5/5	53	61	61	57	5,3	1,5	6,5	1	PU
A268-055/1	55X63X6,5/5	55	63	63	59	5,3	1,5	6,5	1	PU
A268-055/2	55X63,6X6/5	55	63,6	63,6	58,8	5,3	1	6	0,5	PU
A268-055/3	55X65X5,8/5	55	65	65	58	5,3	1	5,8	0,5	PU
A268-055	55X65X7/5	55	65	65	58,2	5,3	1,5	7	1	PU
A268-056/1	56X64X6,5/5	56	64	64	60	5,3	1,5	6,5	1	PU
A268-056	56X64X7/5	56	64	64,6	59	5,3	1,5	7	1	PU
A268-056/2	56X66X6,8/5,3	56	66	66	59,2	5,6	1,5	6,8	1	PU
A268-060/1	60X68X6,5/5	60	68	68	64	5,3	1,5	6,5	1	PU
A268-060	60X70X7/5	60	70	70	63,2	5,3	1,5	7	1	PU
A268-060/2	60X70X8/6	60	70	70	63,2	6,3	1,5	8	1	PU
A268-063	63X71X7/5	63	71	71,6	66,8	5,3	1,5	7	1	PU
A268-063/1	63X73X7/5	63	73	73,6	66,8	5,3	1,5	7	1	PU
A268-063/2	63,57X76,12X8,66/6,75	63,57	76,12	76,12	68,72	7,05	1,5	8,66	1	PU
A268-065/1	65X73X6,5/5	65	73	73	69	5,3	1,5	6,5	1	PU
A268-065	65X75X7/5	65	75	75	68,2	5,3	1,5	7	1	PU
A268-067	67X75X6,5/5	67	75	75	71	5,3	1,5	6,5	1	PU

A268

ALP 码 - Code	尺寸 - Dimension	Ød	ØD	ØD1	ØD2	B	B1	H	R1	PU
A268-070/2	70X80X8/6	70	80	80	75	6,3	1,5	8	1	PU
A268-070/1	70X80X6,8/5,3	70	80	80,6	73,8	5,3	1,5	6,8	1	PU
A268-070	70X80X7/5	70	80	80,6	73,8	5,3	1,5	7	1	PU
A268-071	71X81X8/6	71	81	81	76	6,3	1,5	8	1	PU
A268-075/2	75X85X8/6	75	85	85	80	6,3	1,5	8	1	PU
A268-075	75X87X12/7	75	87	87	81	7,3	3	12	1	PU
A268-076	76,2X88,9X8,66/6,75	76,2	88,9	88,9	81,5	7,05	1,5	8,66	1	PU
A268-080/2	80X90X8/6	80	90	90	85	6,3	1,5	8	1	PU
A268-080/1	80X90X12/7	80	90	90	83,2	7,3	3	12	1	PU
A268-080	80X92X12/7	80	92	92	86	7,3	3	12	1	PU
A268-085/1	85X95X8/6	85	95	95	90	6,3	1,5	8	1	PU
A268-085	85X97X12/7	85	97	97	91	7,3	3	12	1	PU
A268-088	88,97X101,52X8,66/6,75	88,97	101,52	101,52	94,92	6,75	1,5	8,66	1	PU
A268-089	89,7X101,52X8,66/6,75	89,7	101,52	101,72	95,22	6,75	1,5	8,66	1	PU
A268-090	90X100X8/6	90	100	100	93,2	6,2	1,5	8	1	PU
A268-090/2	90X100X6,8/5,3	90	100	100,6	93,7	5,6	1,5	6,8	1	PU
A268-090/1	90X102,2X12/7,1	90	102,2	102,2	95,9	7,4	3	12	1	PU
A268-095	95X105X8/6	95	105	105	100	6,3	1,5	8	1	PU
A268-098	98X108X8/6	98	108	108	103	6,3	1,5	8	1	PU
A268-100	100X110X8/6	100	110	110	105	6,3	1,5	8	1	PU
A268-101	101,67X114,22X8,66/6,75	101,67	114,22	114,22	106,82	7,05	1,5	8,66	1	PU
A268-105	105X115X8/6	105	115	115	110	6,3	1,5	8	1	PU
A268-106	106X116X8/6	106	116	116	111	6,3	1,5	8	1	PU
A268-110	110X120X8/6	110	120	120	115	6,3	1,5	8	1	PU
A268-110/1	110X125X9,5/7,5	110	125	125	114	7,8	1,5	9,5	1	PU
A268-112	112X122X8/6	112	122	122	117	6,3	1,5	8	1	PU
A268-115	115X125X8/6	115	125	125	118,2	6,3	1,5	8	1	PU
A268-118	118X128X8/6	118	128	128	123	6,3	1,5	8	1	PU
A268-120	120X133X9,5/7	120	133	133	127	7,3	2	9,5	1	PU
A268-125/1	125X138X9,5/7	125	138	138	132	7,3	2	9,5	1	PU
A268-125	125X140X9,5/7,5	125	140	140	130,6	7,6	1,5	9,5	1	PU
A268-127	127X139,7X8,66X6,75	127	139,7	139,7	132,1	7,05	1,5	8,66	1	PU
A268-132	132X145X9,5/7	132	145	145	139	7,3	2	9,5	1	PU
A268-136	136X149X9,5/7	136	149	149	143	7,3	2	9,5	1	PU
A268-140	140X153X9,5/7	140	153	153	147	7,3	2	9,5	1	PU
A268-145	145X158X9,5/7	145	158	158	152	7,3	2	9,5	1	PU
A268-150/1	150X163X9,5/7	150	163	163	157	7,3	2	9,5	1	PU
A268-150	150X164X9,5/7	150	164	164	157	7,3	2	9,5	1	PU
A268-155	155X168X9,5/7	155	168	168	162	7,3	2	9,5	1	PU
A268-160/1	160X173X9,5/7	160	173	173	167	7,3	2	9,5	1	PU
A268-160	160X174X9,5/7	160	174	174	167	7,3	2	9,5	1	PU
A268-165/1	165X178X9,5/7	165	178	178	172	7,3	2	9,5	1	PU
A268-165	165X179X9,5/7	165	179	179	172	7,3	2	9,5	1	PU
A268-200	200X214X9,5/7	200	214	214	207	7,3	2	9,5	1	PU
A268-204	204X218X9,5/7	204	218	218	211	7,3	2	9,5	1	PU
A268-212	212X226X9,5/7	212	226	226	219	7,3	2	9,5	1	PU
A268-250	250X264X9,5/7	250	264	264	257	7,3	2	9,5	1	PU

A268





A251 活塞杆导向环
Piston Rod Guide Ring



A255 聚酯树脂导向环
Polyester Resin Guide Ring



A256 酚醛树脂导向环
Phenolic Resin Guiding Ring



ABT 青铜-PTFE导向环
Bronze-PTFE Guide Strip



AKT 碳-PTFE导向环
Carbon-PTFE Guide Strip



APR 聚酯树脂导向环
Polyester Resin Guide Strip

导向元件

Guide Elements





A251

A251活塞杆环磨损件在活塞和活塞杆应用中均使用, 由于玻璃纤维合金化的聚缩醛 (POM) 材料制成的。

A251 POM piston rod ring wears are used in both piston and rod applications which are produced from polyacetal (POM) that alloyed with fiberglass.

A251密封环磨损是通过标准的45度切割和适当的“K”间隙调节来生产的。

The ring wears are produced with a standard 45 degree cut and appropriate “K” gap adjustment.

A251 活塞杆环磨损件在活塞和活塞杆应用中均使用, 由玻璃纤维合金化的聚缩醛 (POM) 材料制成的。

A251 POM piston rod ring Wears have a resistance capacity of up to 40 Newton/mm² radial load.

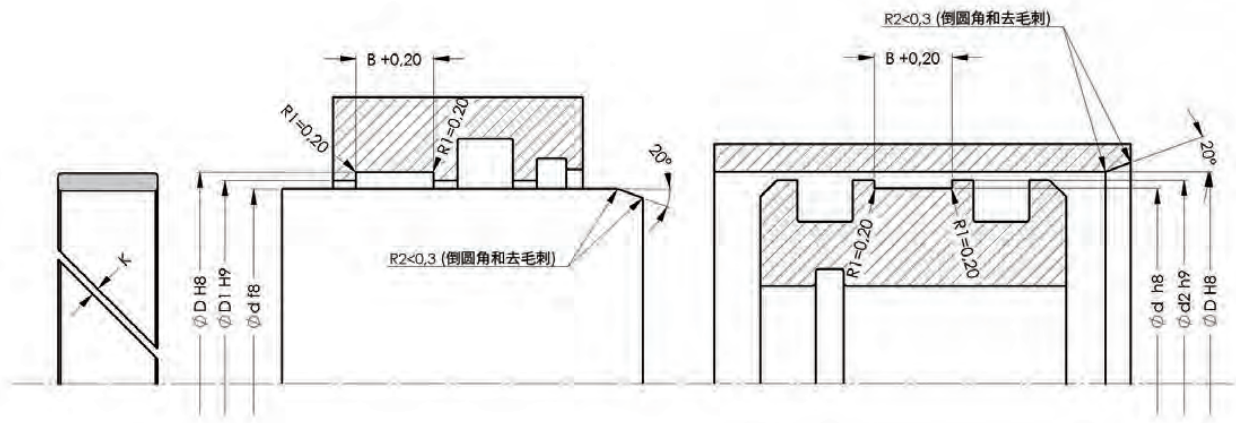
技术参数 / TECHNICAL DATA

工作温度 / Working Temperature	-40 +110°C
滑动速度 / Sliding Speed	1.00 m/sn
材料 / Material	玻璃填充POM
介质 / Media	矿物基液压油 / Mineral Base Hydraulic Oil

表面粗糙度 / Surface Roughness

	Ra	Rmax
动态表面 / Dynamic Surface	≤0.4 μm	≤ 3.2 μm
槽底部 / Groove Base	≤2.5 μm	≤ 6.3 μm
槽侧面 / Groove Flanks	≤3.2 μm	≤ 16 μm

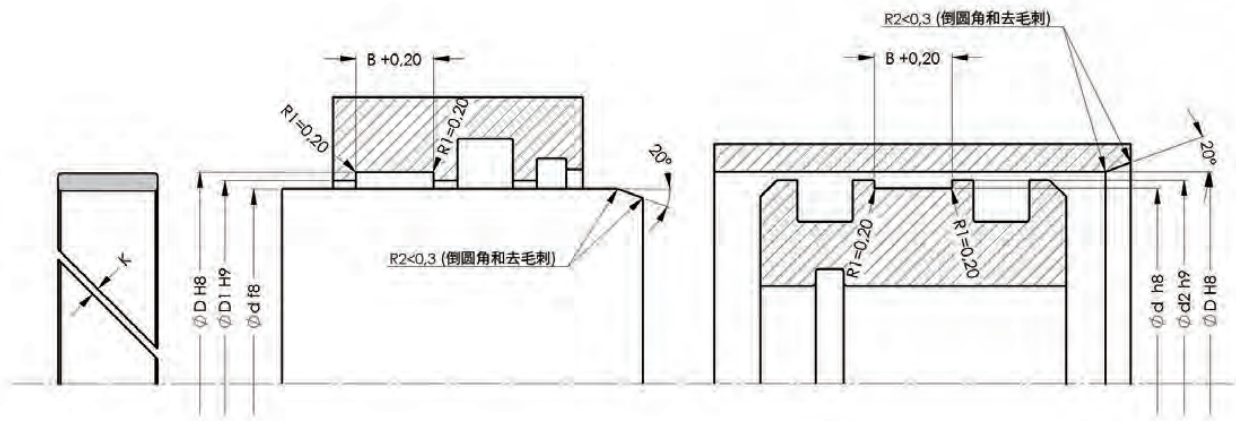




ALP 码 - Code	尺寸- Dimension	Ød	ØD	B	ØD1	Ød2	K
A251-018/1	18X22X9,4	18	22	9,4	18,5	21,5	0,5-3
A251-018	18X24X14	18	24	14	18,5	23,5	0,5-3
A251-020	20X24X9,4	20	24	9,4	20,5	23,5	0,5-3
A251-020/2	20X26X3,8	20	26	3,8	20,5	25,5	0,5-3
A251-020/1	20X26X9,5	20	26	9,5	20,5	25,5	0,5-3
A251-022	22X25X4	22	25	4	22,5	24,5	0,5-3
A251-022/2	22X26X9,4	22	26	9,4	22,5	25,5	0,5-3
A251-022/1	22X26X10	22	26	10	22,5	25,5	0,5-3
A251-025/1	25X29X6	25	29	6	25,5	28,5	0,5-3
A251-025	25X29X9,4	25	29	9,4	25,5	28,5	0,5-3
A251-025/2	25X29X10	25	29	10	25,5	28,5	0,5-3
A251-025/4	25X30X5,4	25	30	5,4	25,5	29,5	0,5-3
A251-025/3	25X31X9,4	25	31	9,4	25,5	30,5	0,5-3
A251-028/1	28X32X6	28	32	6	28,5	31,5	0,5-3
A251-028	28X32X9,5	28	32	9,5	28,5	31,5	0,5-3
A251-028/2	28X32X10	28	32	10	28,5	31,5	0,5-3
A251-028/3	28X33X5,5	28	33	5,5	28,5	32,5	0,5-3
A251-029	29X32X3,7	29	32	3,7	29,5	31,5	0,5-3
A251-030/1	30X34X9,5	30	34	9,5	30,5	33,5	0,5-3
A251-030/4	30X35X5,4	30	35	5,4	30,5	34,5	0,5-3
A251-030/3	30X35X8	30	35	8	30,5	34,5	0,5-3
A251-030/2	30X35X9,5	30	35	9,5	30,5	34,5	0,5-3
A251-030	30X35X15	30	35	15	30,5	34,5	0,5-3
A251-031	31X35X9,5	31	35	9,5	31,5	34,5	0,5-3
A251-032	32X36X9,5	32	36	9,5	32,5	35,5	0,5-3
A251-032/1	32X37X5,6	32	37	5,6	32,5	36,5	0,5-3
A251-034	34X40X9,5	34	40	9,5	34,5	39,5	0,5-3
A251-035/5	35X39X6,3	35	39	6,3	35,5	38,5	0,5-3
A251-035/1	35X39X9,5	35	39	9,5	35,5	38,5	0,5-3
A251-035/7	35X39,7X15	35	39,7	15	35,5	39,2	0,5-3
A251-035/4	35X40X5,6	35	40	5,6	35,5	39,5	0,5-3
A251-035/6	35X40X6,3	35	40	6,3	35,5	39,5	0,5-3
A251-035/3	35X40X9,5	35	40	9,5	35,5	39,5	0,5-3
A251-035/2	35X40X9,7	35	40	9,7	35,5	39,5	0,5-3
A251-035	35X40X15	35	40	15	35,5	39,5	0,5-3
A251-036/1	36X40X6	36	40	6	36,5	39,5	0,5-3
A251-036/4	36X40X8	36	40	8	36,5	39,5	0,5-3
A251-036	36X40X9,7	36	40	9,7	36,5	39,5	0,5-3
A251-036/5	36X40X10	36	40	10	36,5	39,5	0,5-3

A251





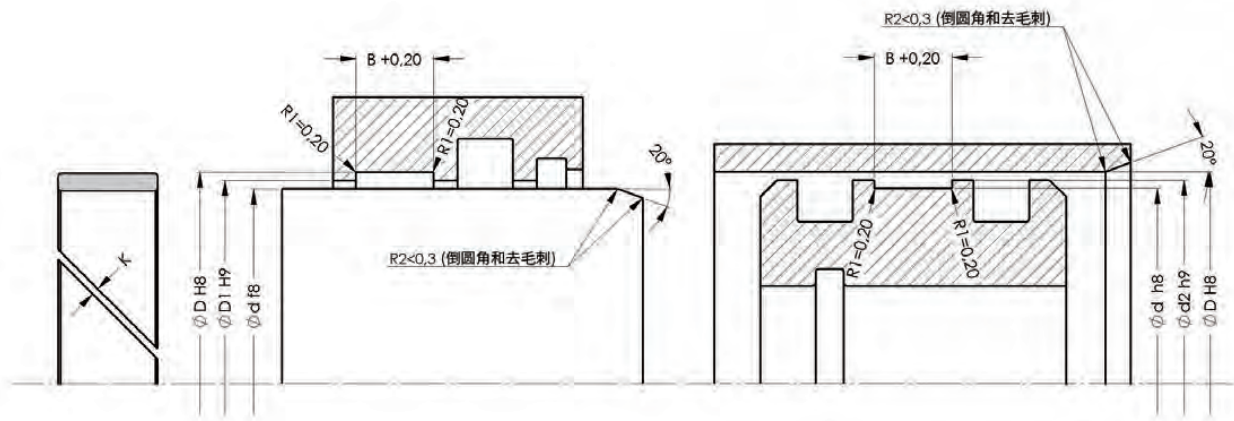
ALP 码 - Code	尺寸 - Dimension	Ød	ØD	B	ØD1	Ød2	K
A251-036/2	36X40X15	36	40	15	36,5	39,5	0,5-3
A251-036/3	36X41X9,5	36	41	9,5	36,5	40,5	0,5-3
A251-040/1	40X44X9,7	40	44	9,7	40,5	43,5	0,5-3
A251-040/6	40X45X5,4	40	45	5,4	40,5	44,5	0,5-3
A251-040/4	40X45X8	40	45	8	40,5	44,5	0,5-3
A251-040/2	40X45X9,7	40	45	9,7	40,5	44,5	0,5-3
A251-040	40X45X15	40	45	15	40,5	44,5	0,5-3
A251-040/3	40X45X20	40	45	20	40,5	44,5	0,5-3
A251-040/5	40X46X9,6	40	46	9,6	40,5	45,5	0,5-3
A251-041	41X45X10	41	45	10	41,5	44,5	0,5-3
A251-041/1	41,27X47,63X19,25	41,27	47,63	19,25	41,77	47,13	0,5-3
A251-042	42X46X9,6	42	46	9,6	42,5	45,5	0,5-3
A251-044/1	44X50X4	44	50	4	44,5	49,5	0,5-3
A251-044/2	44X50X5	44	50	5	44,5	49,5	0,5-3
A251-044	44X50X9,5	44	50	9,5	44,5	49,5	0,5-3
A251-044/3	44X50X10	44	50	10	44,5	49,5	0,5-3
A251-045/8	45X49,7X15	45	49,7	15	45,5	49,2	0,5-3
A251-045/2	45X50X5,6	45	50	5,6	45,5	49,5	0,5-3
A251-045/1	45X50X9,5	45	50	9,5	45,5	49,5	0,5-3
A251-045/7	45X50X9,7	45	50	9,7	45,5	49,5	0,5-3
A251-045	45X50X15	45	50	15	45,5	49,5	0,5-3
A251-045/3	45X51X8	45	51	8	45,5	50,5	0,5-3
A251-045/6	45X51X9,7	45	51	9,7	45,5	50,5	0,5-3
A251-045/4	45X51X12,5	45	51	12,5	45,5	50,5	0,5-3
A251-045/9	45X51X16	45	51	16	45,5	50,5	0,5-3
A251-045/5	45X51X20	45	51	20	45,5	50,5	0,5-3
A251-049	49X55X12,5	49	55	12,5	49,5	54,5	0,5-3
A251-050/9	50X55X5,4	50	55	5,4	50,5	54,5	0,5-3
A251-050/7	50X55X5,6	50	55	5,6	50,5	54,5	0,5-3
A251-050/3	50X55X8	50	55	8	50,5	54,5	0,5-3
A251-050/2	50X55X9,7	50	55	9,7	50,5	54,5	0,5-3
A251-050	50X55X15	50	55	15	50,5	54,5	0,5-3
A251-050/4	50X55X20	50	55	20	50,5	54,5	0,5-3
A251-050/5	50X56X8	50	56	8	50,5	55,5	0,5-3
A251-050/1	50X56X9,7	50	56	9,7	50,5	55,5	0,5-3
A251-050/6	50X56X20	50	56	20	50,5	55,5	0,5-3
A251-051	51X55X10	51	55	10	51,5	54,5	0,5-3
A251-054	54X60X4	54	60	4	54,5	59,5	0,5-3
A251-055/7	55X59,7X15	55	59,7	15	55,5	59,2	0,5-3

A251

ALP 码 - Code	尺寸 - Dimension	Ød	ØD	B	ØD1	Ød2	K
A251-055/6	55X60X5,6	55	60	5,6	55,5	59,5	0,5-3
A251-055/2	55X60X8	55	60	8	55,5	59,5	0,5-3
A251-055/1	55X60X9,5	55	60	9,5	55,5	59,5	0,5-3
A251-055/5	55X60X9,7	55	60	9,7	55,5	59,5	0,5-3
A251-055	55X60X15	55	60	15	55,5	59,5	0,5-3
A251-055/3	55X60X20	55	60	20	55,5	59,5	0,5-3
A251-055/4	55X61X9,5	55	61	9,5	55,5	60,5	0,5-3
A251-056/1	56X60X10	56	60	10	56,5	59,5	0,5-3
A251-056/3	56X62X8	56	62	8	56,5	61,5	0,5-3
A251-056	56X62X12,5	56	62	12,5	56,5	61,5	0,5-3
A251-056/2	56X62X20	56	62	20	56,5	61,5	0,5-3
A251-057/1	57X63X9,5	57	63	9,5	57,5	62,5	0,5-3
A251-057	57X63X12,5	57	63	12,5	57,5	62,5	0,5-3
A251-057/2	57,15X62,15X12,5	57,15	62,15	12,5	57,65	61,65	0,5-3
A251-057/3	57,2X63,5X12,5	57,2	63,5	12,5	57,7	63	0,5-3
A251-058/2	58X63X5,4	58	63	5,4	58,5	62,5	0,5-3
A251-058	58X63X9,5	58	63	9,5	58,5	62,5	0,5-3
A251-058/1	58X63X9,8	58	63	9,8	58,5	62,5	0,5-3
A251-058/3	58X63X15	58	63	15	58,5	62,5	0,5-3
A251-059	59X65X12,5	59	65	12,5	59,5	64,5	0,5-3
A251-060/6	60X64X15	60	64	15	60,5	63,5	0,5-3
A251-060/4	60X65X5,3	60	65	5,3	60,5	64,5	0,5-3
A251-060/2	60X65X9,7	60	65	9,7	60,5	64,5	0,5-3
A251-060	60X65X15	60	65	15	60,5	64,5	0,5-3
A251-060/3	60X65X20	60	65	20	60,5	64,5	0,5-3
A251-060/7	60X66X8	60	66	8	60,5	65,5	0,5-3
A251-060/1	60X66X12,5	60	66	12,5	60,5	65,5	0,5-3
A251-060/5	60X66X20	60	66	20	60,5	65,5	0,5-3
A251-063/1	63X68X9,5	63	68	9,5	63,5	67,5	0,5-3
A251-063	63X69X12,5	63	69	12,5	63,5	68,5	0,5-3
A251-064	64X70X12,5	64	70	12,5	64,5	69,5	0,5-3
A251-065/7	65X69,7X15	65	69,7	15	65,5	69,2	0,5-3
A251-065/2	65X70X4	65	70	4	65,5	69,5	0,5-3
A251-065/3	65X70X5,6	65	70	5,6	65,5	69,5	0,5-3
A251-065/8	65X70X6,5	65	70	6,5	65,5	69,5	0,5-3
A251-065/4	65X70X7	65	70	7	65,5	69,5	0,5-3
A251-065/1	65X70X9,7	65	70	9,7	65,5	69,5	0,5-3
A251-065	65X70X15	65	70	15	65,5	69,5	0,5-3
A251-065/5	65X71X12,5	65	71	12,5	65,5	70,5	0,5-3
A251-066	66X70X9,7	66	70	9,7	66,5	69,5	0,5-3
A251-069	69,85X76,2X6,35	69,85	76,2	6,35	70,35	75,7	0,5-3
A251-070/6	70X75X5,4	70	75	5,4	70,5	74,5	1-4
A251-070/2	70X75X9,7	70	75	9,7	70,5	74,5	1-4
A251-070	70X75X15	70	75	15	70,5	74,5	1-4
A251-070/3	70X76X10	70	76	10	70,5	75,5	1-4
A251-070/1	70X76X12,5	70	76	12,5	70,5	75,5	1-4
A251-070/8	70X76X16	70	76	16	70,5	75,5	1-4
A251-070/4	70X76X25	70	76	25	70,5	75,5	1-4
A251-070/5	70X76X36	70	76	36	70,5	75,5	1-4
A251-072	72X80X6,2	72	80	6,2	72,5	79,5	1-4
A251-074/1	74X80X6,5	74	80	6,5	74,5	79,5	1-4
A251-074	74X80X12,5	74	80	12,5	74,5	79,5	1-4
A251-075/5	75X80X5,4	75	80	5,4	75,5	79,5	1-4
A251-075/4	75X80X5,6	75	80	5,6	75,5	79,5	1-4

A251





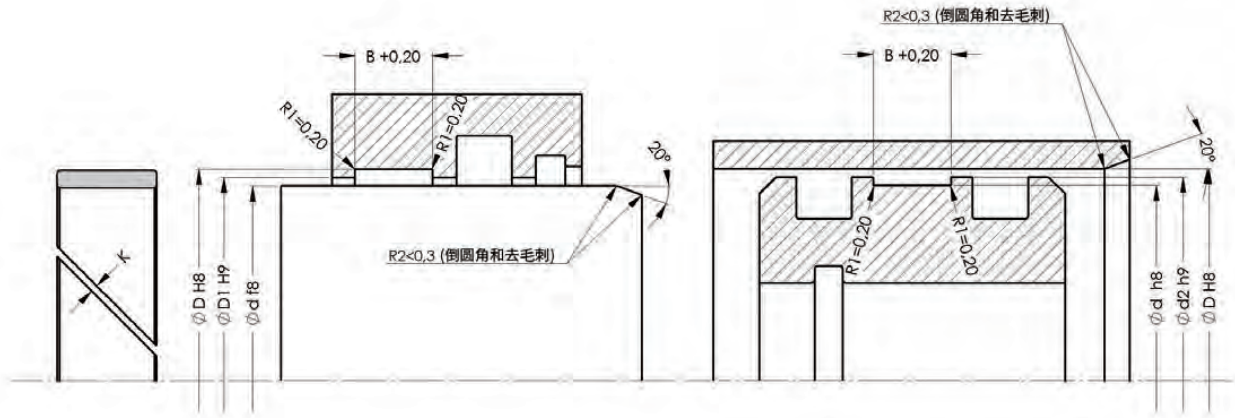
ALP 码 - Code	尺寸- Dimension	Ød	ØD	B	ØD1	Ød2	K
A251-075/2	75X80X8	75	80	8	75,5	79,5	1-4
A251-075/1	75X80X9,7	75	80	9,7	75,5	79,5	1-4
A251-075	75X80X15	75	80	15	75,5	79,5	1-4
A251-075/3	75X80X20	75	80	20	75,5	79,5	1-4
A251-080/4	80X85X6	80	85	6	80,5	84,5	1-4
A251-080/2	80X85X9,7	80	85	9,7	80,5	84,5	1-4
A251-080	80X85X15	80	85	15	80,5	84,5	1-4
A251-080/1	80X86X12,5	80	86	12,5	80,5	85,5	1-4
A251-084/1	84X90X6,5	84	90	6,5	84,5	89,5	1-4
A251-084	84X90X12,5	84	90	12,5	84,5	89,5	1-4
A251-085/3	85X90X5,6	85	90	5,6	85,5	89,5	1-4
A251-085/1	85X90X9,7	85	90	9,7	85,5	89,5	1-4
A251-085	85X90X15	85	90	15	85,5	89,5	1-4
A251-085/2	85X91X12,5	85	91	12,5	85,5	90,5	1-4
A251-089	89X95X12,5	89	95	12,5	89,5	94,5	1-4
A251-090/4	90X95X6	90	95	6	90,5	94,5	1-4
A251-090/2	90X95X9,5	90	95	9,5	90,5	94,5	1-4
A251-090/3	90X95X9,7	90	95	9,7	90,5	94,5	1-4
A251-090	90X95X15	90	95	15	90,5	94,5	1-4
A251-090/5	90X95X20	90	95	20	90,5	94,5	1-4
A251-090/1	90X96X12,5	90	96	12,5	90,5	95,5	1-4
A251-094	94X100X6,3	94	100	6,3	94,5	99,5	1-4
A251-094/4	94X100X9,7	94	100	9,7	94,5	99,5	1-4
A251-094/1	94X100X12,5	94	100	12,5	94,5	99,5	1-4
A251-095/2	95X100X5,4	95	100	5,4	95,5	99,5	1-4
A251-095/1	95X100X9,7	95	100	9,7	95,5	99,5	1-4
A251-095/4	95X100X12,5	95	100	12,5	95,5	99,5	1-4
A251-095	95X100X15	95	100	15	95,5	99,5	1-4
A251-095/3	95X100X20	95	100	20	95,5	99,5	1-4
A251-100/3	100X105X6	100	105	6	100,5	104,4	1-4
A251-100/2	100X105X9,5	100	105	9,5	100,5	104,4	1-4
A251-100/1	100X105X9,7	100	105	9,7	100,5	104,4	1-4
A251-100	100X105X15	100	105	15	100,5	104,4	1-4
A251-100/4	100X106X12,7	100	106	12,7	100,5	105,4	1-4
A251-104	104X110X12,5	104	110	12,5	104,6	109,4	1-4
A251-105/2	105X110X8	105	110	8	105,6	109,4	1-4
A251-105/1	105X110X9,5	105	110	9,5	105,6	109,4	1-4
A251-105	105X110X15	105	110	15	105,6	109,4	1-4
A251-109/1	109X115X6,5	109	115	6,5	109,6	114,4	1-4

A251

ALP 码 - Code	尺寸 - Dimension	Ød	ØD	B	ØD1	Ød2	K
A251-109	109X115X12,5	109	115	12,5	109,6	114,4	1-4
A251-110/1	110X115X9,5	110	115	9,5	110,6	114,4	1-4
A251-110/6	110X115X10	110	115	10	110,6	114,4	1-4
A251-110/2	110X115X15	110	115	15	110,6	114,4	1-4
A251-110/3	110X115X20	110	115	20	110,6	114,4	1-4
A251-110	110X116X12,5	110	116	12,5	110,6	115,4	1-4
A251-110/4	110X116X15	110	116	15	110,6	115,4	1-4
A251-114/3	114X120X12,5	114	120	12,5	114,6	119,4	1-4
A251-114/2	114X120X32	114	120	32	114,6	119,4	1-4
A251-115/3	115X120X5,5	115	120	5,5	115,6	119,4	1-4
A251-115/1	115X120X9,5	115	120	9,5	115,6	119,4	1-4
A251-115	115X120X15	115	120	15	115,6	119,4	1-4
A251-119/1	119X125X10	119	125	10	119,6	124,4	1-4
A251-119	119X125X12,5	119	125	12,5	119,6	124,4	1-4
A251-120/1	120X125X9,5	120	125	9,5	120,6	124,4	1-4
A251-120	120X125X15,2	120	125	15,2	120,6	124,4	1-4
A251-120/3	120X126X9,5	120	126	9,5	120,6	125,4	1-4
A251-124	124X130X12,5	124	130	12,5	124,6	129,4	1-4
A251-125/1	125X130X9,7	125	130	9,7	125,6	129,4	1-4
A251-125	125X130X15,2	125	130	15,2	125,6	129,4	1-4
A251-130/2	130X135X9,5	130	135	9,5	130,6	134,4	1-4
A251-130	130X135X15	130	135	15	130,6	134,4	1-4
A251-130/3	130X136X12,5	130	136	12,5	130,6	135,4	1-4
A251-133	133X140X20	133	140	20	133,6	139,4	1-4
A251-134	134X140X12,5	134	140	12,5	134,6	139,4	1-4
A251-134/1	134X140X15	134	140	15	134,6	139,4	1-4
A251-134/2	134X140X16	134	140	16	134,6	139,4	1-4
A251-135	135X140X9,7	135	140	9,7	135,6	139,4	1-4
A251-135/1	135X140X15	135	140	15	135,6	139,4	1-4
A251-140	140X145X15	140	145	15	140,6	144,4	1-4
A251-144	144X150X12,5	144	150	12,5	144,6	149,4	1-4
A251-144/1	144X150X19	144	150	19	144,6	149,4	1-4
A251-145/2	145X150X5,5	145	150	5,5	145,6	149,4	1-4
A251-145	145X150X9,5	145	150	9,5	145,6	149,4	1-4
A251-145/1	145X150X15	145	150	15	145,6	149,4	1-4
A251-146	146X150X10	146	150	10	146,6	149,4	1-4
A251-150/2	150X155X15	150	155	15	150,6	154,4	1-4
A251-150/1	150X160X35	150	160	35	150,6	159,4	1-4
A251-154	154X160X19	154	160	19	154,6	159,4	1-4
A251-155/2	155X160X5,5	155	160	5,5	155,6	159,4	1-4
A251-155/1	155X160X9,7	155	160	9,7	155,6	159,4	1-4
A251-155	155X160X15	155	160	15	155,6	159,4	1-4
A251-156	156X160X10	156	160	10	156,6	159,4	1-4
A251-160	160X165X15	160	165	15	160,6	164,4	1-4
A251-164	164X168X8	164	168	8	164,6	167,4	1-4
A251-165/1	165X170X9,5	165	170	9,5	165,6	169,4	1-4
A251-165	165X170X15	165	170	15	165,6	169,4	1-4
A251-170	170X175X15	170	175	15	170,6	174,4	1-4
A251-174	174X180X19	174	180	19	174,6	179,4	1-4
A251-175/1	175X180X5,5	175	180	5,5	175,6	179,4	1-4
A251-175	175X180X9,5	175	180	9,5	175,6	179,4	1-4
A251-175/2	175X180X15	175	180	15	175,6	179,4	1-4
A251-180	180X185X15	180	185	15	180,6	184,4	1-4
A251-185/1	185X190X9,5	185	190	9,5	185,6	189,4	1-4

A251





ALP 码 - Code	尺寸- Dimension	Ød	ØD	B	ØD1	Ød2	K
A251-185	185X190X15	185	190	15	185,6	189,4	1-4
A251-190	190X195X15	190	195	15	190,6	194,4	1-4
A251-194	194X200X19	194	200	19	194,6	199,4	1-4
A251-195	195X200X15	195	200	15	195,6	199,4	1-4
A251-196	196X200X10	196	200	10	196,6	199,4	1-4
A251-205	205X210X9,7	205	210	9,7	205,6	209,4	1-4
A251-210/2	210X215X9,5	210	215	9,5	210,6	214,4	1-4
A251-210/1	210X215X15	210	215	15	210,6	214,4	1-4
A251-210	210X216X19	210	216	19	210,6	215,4	1-4
A251-214	214X220X19	214	220	19	214,6	219,4	1-4
A251-215	215X220X9,5	215	220	9,5	215,6	219,4	1-4
A251-215/1	215X220X15	215	220	15	215,6	219,4	1-4
A251-219	219X225X19	219	225	19	219,6	224,4	1-4
A251-240	240X248X20	240	248	20	240,6	247,4	1-4
A251-244	244X250X19	244	250	19	244,6	249,4	1,5-7

A251



A255

A255由聚酯树脂和织物材料制成的聚酯树脂环磨损件特别适用于液压缸的重载应用。45度切割便简单组装。

A255聚酯树脂环的磨损载荷最高能径向100牛顿/毫米方。

A255 polyester resin ring wears that are produced from polyester resin and fabric material are especially used for heavy duty applications of hydraulic cylinders. 45 degree cut facilitates assembly.

A255 polyester resin ring wear have a resistance capacity of up to 100 Newton/mm² radial load.

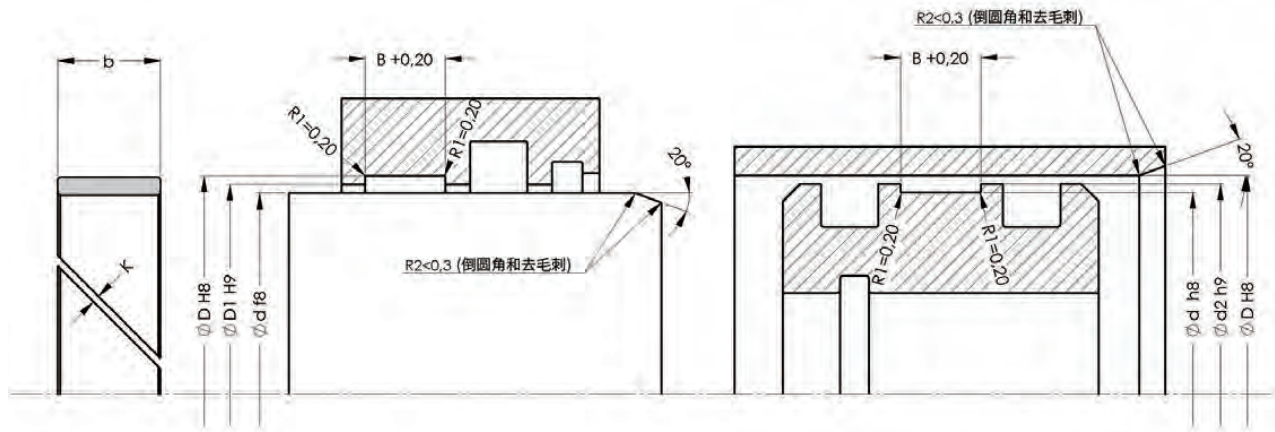
技术参数 / TECHNICAL DATA

工作温度 / Working Temperature	-30 +120°C
滑动速度 / Sliding Speed	1.00 m/sn
材料 / Material	聚酯树脂
介质 / Media	矿物基液压油 / Mineral Base Hydraulic Oil

表面粗糙度 / Surface Roughness

	Ra	Rmax
动态表面 / Dynamic Surface	≤0.4 μm	≤ 3.2 μm
槽底部 / Groove Base	≤2.6 μm	≤ 10 μm
槽侧面 / Groove Flanks	≤3.2 μm	≤ 16 μm



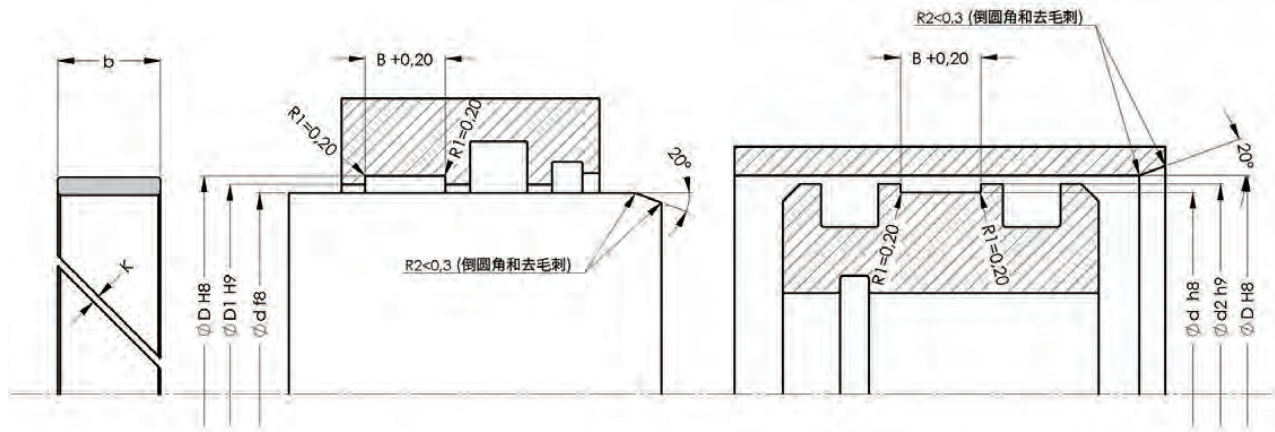


ALP 码 - Code	尺寸 - Dimension	Ød	ØD	B	b	Ød2	Ød1	K
A255-021	21X25X9,5	21	25	9,5	9,3	24	22	0,5-3
A255-025	25X28X5,6	25	28	5,6	5,4	27	26	0,5-3
A255-028	28X33X5,6	28	33	5,6	5,4	31,2	29,8	0,5-3
A255-030	30X35X9,7	30	35	9,7	9,5	33,2	31,8	0,5-3
A255-035/1	35X40X9,7	35	40	9,7	9,5	38,2	36,8	0,5-3
A255-035	35X40X15	35	40	15	14,8	38,2	36,8	0,5-3
A255-040/3	40X43X5,6	40	43	5,6	5,4	42	41	0,5-3
A255-040/1	40X45X9,7	40	45	9,7	9,5	43,2	41,8	0,5-3
A255-040/2	40X45X15	40	45	15	14,8	43,2	41,8	0,5-3
A255-045	45X50X9,7	45	50	9,7	9,5	48,2	46,8	0,5-3
A255-045/1	45X50X15	45	50	15	14,8	48,2	46,8	0,5-3
A255-050/2	50X54X10	50	54	10	9,8	53	51	0,5-3
A255-050/3	50X55X5,6	50	55	5,6	5,4	53,2	51,8	0,5-3
A255-050	50X55X9,7	50	55	9,7	9,5	53,2	51,8	0,5-3
A255-050/1	50X55X15	50	55	15	14,8	53,2	51,8	0,5-3
A255-055/1	55X60X9,7	55	60	9,7	9,5	58,2	56,8	0,5-3
A255-055	55X60X15	55	60	15	14,8	58,2	56,8	0,5-3
A255-056	56X61X9,7	56	61	9,7	9,5	59,2	57,8	0,5-3
A255-058	58X63X9,7	58	63	9,7	9,5	61,2	59,8	0,5-3
A255-060/1	60X65X9,7	60	65	9,7	9,5	63,2	61,8	0,5-3
A255-060	60X65X15	60	65	15	14,8	63,2	61,8	0,5-3
A255-060/2	60X65X20	60	65	20	19,8	63,2	61,8	0,5-3
A255-060/3	60X65X25	60	65	25	24,8	63,2	61,8	0,5-3
A255-063	63X68X9,7	63	68	9,7	9,5	66,2	64,8	0,5-3
A255-065/2	65X70X5,6	65	70	5,6	5,4	68,2	66,8	1-4
A255-065/1	65X70X9,7	65	70	9,7	9,5	68,2	66,8	1-4
A255-065	65X70X15	65	70	15	14,8	68,2	66,8	1-4
A255-070	70X75X9,7	70	75	9,7	9,5	73,2	71,8	1-4
A255-070/1	70X75X15	70	75	15	14,8	73,2	71,8	1-4
A255-074	74X80X6,5	74	80	6,5	6,3	77,6	76,4	1-4
A255-075/2	75X80X5,6	75	80	5,6	5,4	78,2	76,8	1-4
A255-075	75X80X9,7	75	80	9,7	9,5	78,2	76,8	1-4
A255-075/1	75X80X15	75	80	15	14,8	78,2	76,8	1-4
A255-080	80X85X9,7	80	85	9,7	9,5	83,2	81,8	1-4
A255-080/1	80X85X15	80	85	15	14,8	83,2	81,8	1-4
A255-080/2	80X85X25	80	85	25	24,8	83,2	81,8	1-4
A255-084	84X90X6,5	84	90	6,5	6,3	87,6	86,4	1-4
A255-085/2	85X90X5,6	85	90	5,6	5,4	88,2	86,8	1-4
A255-085	85X90X9,7	85	90	9,7	9,5	88,2	86,8	1-4

A255



全球密封方案



ALP 码 - Code	尺寸 - Dimension	Ød	ØD	B	b	Ød2	Ød1	K
A255-085/1	85X90X15	85	90	15	14,8	88,2	86,8	1-4
A255-090/1	90X95X9,7	90	95	9,7	9,5	93,2	91,8	1-4
A255-090	90X95X15	90	95	15	14,8	93,2	91,8	1-4
A255-094	94X100X6,5	94	100	6,5	6,3	97,6	96,4	1-4
A255-095/2	95X100X5,6	95	100	5,6	5,4	98,2	96,8	1-4
A255-095	95X100X9,7	95	100	9,7	9,5	98,2	96,8	1-4
A255-095/1	95X100X15	95	100	15	14,8	98,2	96,8	1-4
A255-100/1	100X105X9,7	100	105	9,7	9,5	103,2	101,8	1-4
A255-100	100X105X15	100	105	15	14,8	103,2	101,8	1-4
A255-105/2	105X110X5,6	105	110	5,6	5,4	108,2	106,8	1-4
A255-105	105X110X9,7	105	110	9,7	9,5	108,2	106,8	1-4
A255-105/1	105X110X15	105	110	15	14,8	108,2	106,8	1-4
A255-107	107X115X20	107	115	20	19,8	112	110	1-4
A255-109	109X115X6,5	109	115	6,5	6,3	112,6	111,4	1-4
A255-110	110X115X9,7	110	115	9,7	9,5	113,2	111,8	1-4
A255-110/1	110X115X15	110	115	15	14,8	113,2	111,8	1-4
A255-113	113X118X15	113	118	15	14,8	116,2	114,8	1-4
A255-115	115X120X9,7	115	120	9,7	9,5	118,2	116,8	1-4
A255-115/1	115X120X15	115	120	15	14,8	118,2	116,8	1-4
A255-115/2	115X120X20	115	120	20	19,8	118,2	116,8	1-4
A255-120	120X125X9,7	120	125	9,7	9,5	123,2	121,8	1-4
A255-120/1	120X125X15	120	125	15	14,8	123,2	121,8	1-4
A255-122	122X130X15	122	130	15	14,8	127	125	1-4
A255-125	125X130X9,7	125	130	9,7	9,5	128,2	126,8	1-4
A255-125/1	125X130X15	125	130	15	14,8	128,2	126,8	1-4
A255-125/2	125X133X9,7	125	133	9,7	9,5	130	128	1-4
A255-130	130X135X9,7	130	135	9,7	9,5	133,2	131,8	1-4
A255-130/1	130X135X15	130	135	15	14,8	133,2	131,8	1-4
A255-135	135X140X9,7	135	140	9,7	9,5	138,2	136,8	1-4
A255-135/1	135X140X15	135	140	15	14,8	138,2	136,8	1-4
A255-140	140X145X9,7	140	145	9,7	9,5	143,2	141,8	1-4
A255-140/1	140X145X15	140	145	15	14,8	143,2	141,8	1-4
A255-142	142X147X15	142	147	15	14,8	145,2	143,8	1-4
A255-145	145X150X9,7	145	150	9,7	9,5	148,2	146,8	1-4
A255-145/1	145X150X15	145	150	15	14,8	148,2	146,8	1-4
A255-150/1	150X155X9,7	150	155	9,7	9,5	153,2	151,8	1-4
A255-150	150X155X15	150	155	15	14,8	153,2	151,8	1-4
A255-155	155X160X9,7	155	160	9,7	9,5	158,2	156,8	1-4
A255-155/1	155X160X15	155	160	15	14,8	158,2	156,8	1-4

A255

ALP 码 - Code	尺寸 - Dimension	Ød	ØD	B	b	Ød2	Ød1	K
A255-164	164X170X9,5	164	170	9,5	9,3	168,2	166,8	1-4
A255-165	165X170X9,7	165	170	9,7	9,5	168,2	166,8	1-4
A255-165/1	165X170X24,5	165	170	24,5	24,3	168,2	166,8	1-4
A255-175	175X180X9,7	175	180	9,7	9,5	178,2	176,8	1-4
A255-175/1	175X180X15	175	180	15	14,8	178,2	176,8	1-4
A255-185	185X190X9,7	185	190	9,7	9,5	188,2	186,8	1-4
A255-185/1	185X190X15	185	190	15	14,8	188,2	186,8	1-4
A255-192	192X197X15	192	197	15	14,8	195,2	193,8	1-4
A255-195	195X200X9,7	195	200	9,7	9,5	198,2	196,8	1-4
A255-195/1	195X200X15	195	200	15	14,8	198,2	196,8	1-4
A255-200	200X205X15	200	205	15	14,8	203,2	201,8	1-4
A255-215	215X220X15	215	220	15	14,8	218,2	216,8	1-4
A255-220	220X225X24,5	220	225	24,5	24,3	223,2	221,8	1-4

A255





A256

A256由聚酯树脂和织物材料制成的聚酯树脂环磨损件特别适用于液压缸的重载应用。45度切割方便组装而且防止积聚动压。

A256 聚酯树脂环的磨损载荷最高能径向120牛顿/毫米方。

A256 phenolic resin ring wears that are produced from phenolic resin and fabric material are especially used for heavy duty applications of hydraulic cylinders. 45 degree cut facilitates assembly and prevents hydrodynamic pressure build up.

A256 phenolic resin ring wear have a resistance capacity of up to 120 Newton/mm² radial load.

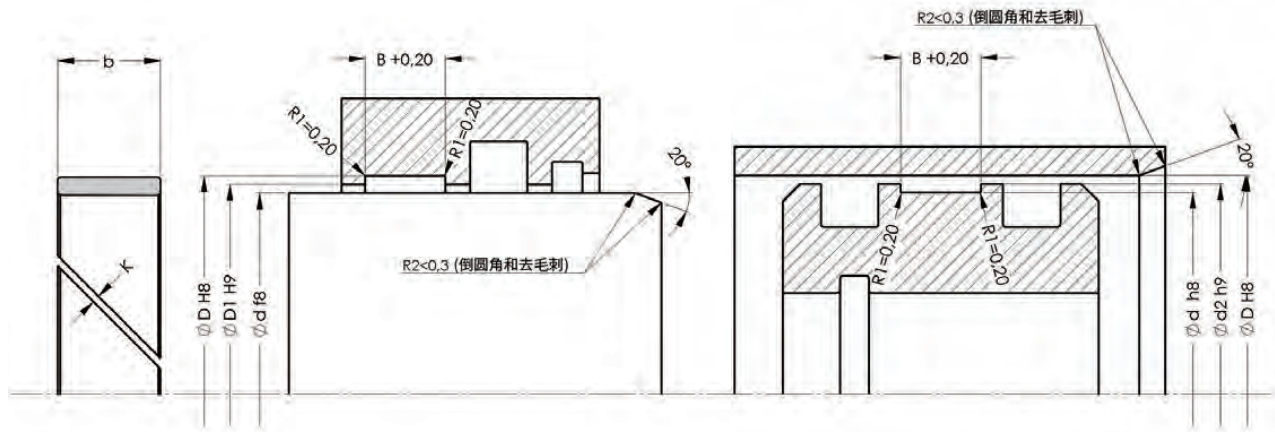
技术参数 / TECHNICAL DATA

工作温度 / Working Temperature	-30 +120°C
滑动速度 / Sliding Speed	1.00 m/sn
材料 / Material	酚醛树脂
介质 / Media	矿物基液压油 / Mineral Base Hydraulic Oil

表面粗糙度 / Surface Roughness

	Ra	Rmax
动态表面 / Dynamic Surface	≤0.4 μm	≤ 3.2 μm
槽底部 / Groove Base	≤2.6 μm	≤ 10 μm
槽侧面 / Groove Flanks	≤3.2 μm	≤ 16 μm



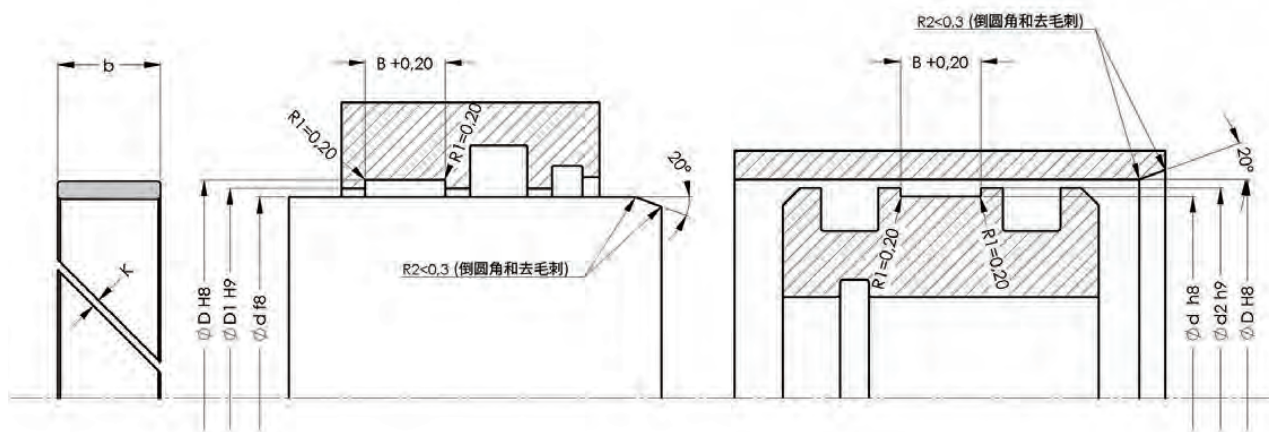


ALP 码 - Code	尺寸 - Dimension	Ød	ØD	B	b	Ød2	Ød1	K~
A256-021	21X25X9,5	21	25	9,5	9,3	24	22	0,5-3
A256-030	30X35X9,7	30	35	9,7	9,5	33,2	31	0,5-3
A256-035	35X40X15	35	40	15	14,8	38,2	36	0,5-3
A256-036	36X41X5,4	36	41	5,4	5,2	39,2	37	0,5-3
A256-040/2	40X43X5,6	40	43	5,6	5,4	42	41,8	0,5-3
A256-040	40X45X9,7	40	45	9,7	9,5	43,2	41,8	0,5-3
A256-040/1	40X45X15	40	45	15	14,8	43,2	41,8	0,5-3
A256-045/2	45X50X5,6	45	50	5,6	5,4	48,2	46,8	0,5-3
A256-045	45X50X9,7	45	50	9,7	9,5	48,2	46,8	0,5-3
A256-045/1	45X50X15	45	50	15	14,8	48,2	46,8	0,5-3
A256-050/2	50X54X10	50	54	10	9,8	53	51,8	0,5-3
A256-050/3	50X55X5,6	50	55	5,6	5,4	53,2	51,8	0,5-3
A256-050	50X55X9,7	50	55	9,7	9,5	53,2	51,8	0,5-3
A256-050/1	50X55X15	50	55	15	14,8	53,2	51,8	0,5-3
A256-055/2	55X60X5,6	55	60	5,6	5,4	58,2	56,8	0,5-3
A256-055/1	55X60X9,7	55	60	9,7	9,5	58,2	56,8	0,5-3
A256-055	55X60X15	55	60	15	14,8	58,2	56,8	0,5-3
A256-058	58X63X9,7	58	63	9,7	9,5	61,2	59,8	0,5-3
A256-060/3	60X65X9,7	60	65	9,7	9,5	63,2	61,8	0,5-3
A256-060/1	60X65X15	60	65	15	14,8	63,2	61,8	0,5-3
A256-060/2	60X65X20	60	65	20	19,8	63,2	61,8	0,5-3
A256-060	60X65X25	60	65	25	24,8	63,2	61,8	0,5-3
A256-065/2	65X70X5,6	65	70	5,6	5,4	68,2	66,8	1-4
A256-065/1	65X70X9,7	65	70	9,7	9,5	68,2	66,8	1-4
A256-065/3	65X70X15	65	70	15	14,8	68,2	66,8	1-4
A256-065	65X70X25	65	70	25	24,8	68,2	66,8	1-4
A256-066	66X70X10,2	66	70	10,2	10	69	67,8	1-4
A256-070	70X75X9,7	70	75	9,7	9,5	73,2	71,8	1-4
A256-070/1	70X75X15	70	75	15	14,8	73,2	71,8	1-4
A256-074	74X80X6,5	74	80	6,5	6,3	77,6	75,8	1-4
A256-075/2	75X80X5,6	75	80	5,6	5,4	78,2	76,8	1-4
A256-075	75X80X9,7	75	80	9,7	9,5	78,2	76,8	1-4
A256-075/1	75X80X15	75	80	15	14,8	78,2	76,8	1-4
A256-080	80X85X9,7	80	85	9,7	9,5	83,2	81,8	1-4
A256-080/1	80X85X15	80	85	15	14,8	83,2	81,8	1-4
A256-084	84X90X6,5	84	90	6,5	6,3	87,6	85,8	1-4
A256-085	85X90X5,6	85	90	5,6	5,4	88,2	86,8	1-4
A256-085/3	85X90X9,5	85	90	9,5	9,3	88,2	86,8	1-4
A256-085/2	85X90X9,7	85	90	9,7	9,5	88,2	86,8	1-4

A256



全球密封方案



ALP 码 - Code	尺寸 - Dimension	Ød	ØD	B	b	Ød2	Ød1	K~
A256-085/1	85X90X15	85	90	15	14,8	88,2	86,8	1-4
A256-090/1	90X95X9,7	90	95	9,7	9,5	93,2	91,8	1-4
A256-090	90X95X15	90	95	15	14,8	93,2	91,8	1-4
A256-094	94X100X6,5	94	100	6,5	6,3	97,6	95,8	1-4
A256-095/2	95X100X5,6	95	100	5,6	5,4	98,2	96,8	1-4
A256-095	95X100X9,7	95	100	9,7	9,5	98,2	96,8	1-4
A256-095/1	95X100X15	95	100	15	14,8	98,2	96,8	1-4
A256-100/2	100X105X9,5	100	105	9,5	9,3	103,2	101,8	1-4
A256-100/1	100X105X9,7	100	105	9,7	9,5	103,2	101,8	1-4
A256-100	100X105X15	100	105	15	14,8	103,2	101,8	1-4
A256-105/2	105X110X5,6	105	110	5,6	5,4	108,2	106,8	1-4
A256-105	105X110X9,7	105	110	9,7	9,5	108,2	106,8	1-4
A256-105/1	105X110X15	105	110	15	14,8	108,2	106,8	1-4
A256-109	109X115X6,5	109	115	6,5	6,3	112,6	110,8	1-4
A256-110	110X115X9,7	110	115	9,7	9,5	113,2	111,8	1-4
A256-110/1	110X115X15	110	115	15	14,8	113,2	111,8	1-4
A256-113	113X118X15	113	118	15	14,8	116,2	114,8	1-4
A256-115	115X120X9,7	115	120	9,7	9,5	118,2	116,8	1-4
A256-115/1	115X120X15	115	120	15	14,8	118,2	116,8	1-4
A256-120	120X125X9,7	120	125	9,7	9,5	123,2	121,8	1-4
A256-120/1	120X125X15	120	125	15	14,8	123,2	121,8	1-4
A256-122	122X130X15	122	130	15	14,8	127	123,8	1-4
A256-125	125X130X9,7	125	130	9,7	9,5	128,2	126,8	1-4
A256-125/1	125X130X15	125	130	15	14,8	128,2	126,8	1-4
A256-125/2	125X133X9,7	125	133	9,7	9,5	130	126,8	1-4
A256-130	130X135X9,7	130	135	9,7	9,5	133,2	131,8	1-4
A256-130/1	130X135X15	130	135	15	14,8	133,2	131,8	1-4
A256-135	135X140X9,7	135	140	9,7	9,5	138,2	136,8	1-4
A256-135/1	135X140X15	135	140	15	14,8	138,2	136,8	1-4
A256-140	140X145X9,7	140	145	9,7	9,5	143,2	141,8	1-4
A256-140/1	140X145X15	140	145	15	14,8	143,2	141,8	1-4
A256-142	142X147X15	142	147	15	14,8	145,2	143,8	1-4
A256-145	145X150X9,7	145	150	9,7	9,5	148,2	146,8	1-4
A256-145/1	145X150X15	145	150	15	14,8	148,2	146,8	1-4
A256-150/1	150X155X9,7	150	155	9,7	9,5	153,2	151,8	1-4
A256-150	150X155X15	150	155	15	14,8	153,2	151,8	1-4
A256-155	155X160X9,7	155	160	9,7	9,5	158,2	156,8	1-4
A256-155/1	155X160X15	155	160	15	14,8	158,2	156,8	1-4
A256-160	160X165X15	160	165	15	14,8	163,2	161,8	1-4

A256





ABT

由特殊的 PTFE + 青铜 填料化合物制成的ABT青铜特氟龙环磨损件通常用于轻型和重型液压缸和气动缸的操作。

ABT bronze teflon ring wears that are produced from a special compound of PTFE + BRONZE filler, are commonly used in the operations of light and middle duty hydraulic and pneumatic cylinders.

技术参数 / TECHNICAL DATA

工作温度 / Working Temperature	-60 +200°C
滑动速度 / Sliding Speed	15 m/sn
材料 / Material	PTFE + 青铜
介质 / Media	矿物基液压油 / Mineral Base Hydraulic Oil

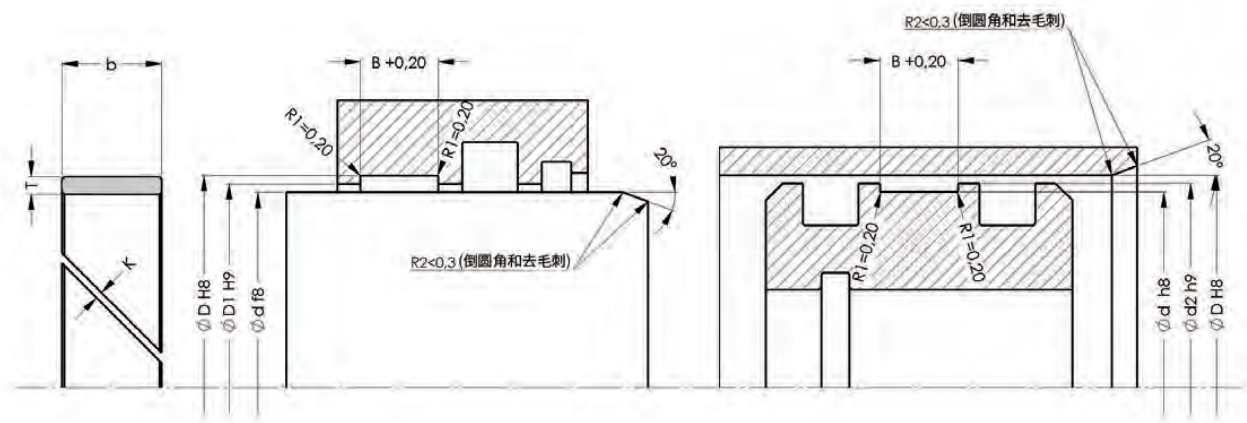
表面粗糙度 / Surface Roughness

	Ra	Rmax
动态表面 / Dynamic Surface	≤0.3 μm	≤2.5 μm
槽底部 / Groove Base	≤1.6 μm	≤10 μm
槽侧面 / Groove Flanks	≤3.2 μm	≤12 μm

材料最大许允间隙 / Permissible Gap (max.)

径 (mm) / Diameter (mm)	S max (mm)
10-25	0.25±0.05
26-100	0.30±0.05
101-300	0.40±0.10
301-600	0.60±0.15
601-1200	0.80±0.20
>1200	0.90±0.30





ALP 码 - Code	尺寸 - Dimension	T	B	b
ABT-1,5X5,6	1,5X5,6	1,5	5,6	5,4
ABT-1,5X8	1,5X8	1,5	8	7,8
ABT-1,5X10	1,5X10	1,5	10	9,8
ABT-1,5X15	1,5X15	1,5	15	14,8
ABT-1,78X4,1	1,78X4,1	1,78	4,1	3,9
ABT-2X7,8	2X7,8	2	7,8	7,6
ABT-2X8	2X8	2	8	7,8
ABT-2X9,5	2X9,5	2	9,5	9,3
ABT-2X10	2X10	2	10	9,8
ABT-2X12	2X12	2	12	11,8
ABT-2X15	2X15	2	15	14,8
ABT-2X20	2X20	2	20	19,5
ABT-2X25	2X25	2	25	24,5
ABT-2X30	2X30	2	30	29,5
ABT-2X35	2X35	2	35	34,5
ABT-2,5X5,5	2,5X5,5	2,5	5,5	5,3
ABT-2,5X5,6	2,5X5,6	2,5	5,6	5,4
ABT-2,5X6	2,5X6	2,5	6	5,8
ABT-2,5X8	2,5X8	2,5	8	7,8
ABT-2,5X9,5	2,5X9,5	2,5	9,5	9,3
ABT-2,5X9,7	2,5X9,7	2,5	9,7	9,5
ABT-2,5X10	2,5X10	2,5	10	9,8
ABT-2,5X12	2,5X12	2,5	12	11,8
ABT-2,5X15	2,5X15	2,5	15	14,8
ABT-2,5X20	2,5X20	2,5	20	19,5
ABT-2,5X25	2,5X25	2,5	25	24,5
ABT-2,5X30	2,5X30	2,5	30	29,5
ABT-2,5X35	2,5X35	2,5	35	34,5
ABT-3X8	3X8	3	8	7,8
ABT-3X9,5	3X9,5	3	9,5	9,3
ABT-3X9,7	3X9,7	3	9,7	9,5
ABT-3X12	3X12	3	12	11,8
ABT-3X12,5	3X12,5	3	12,5	12,3
ABT-3X13	3X13	3	13	12,8
ABT-3X14	3X14	3	14	13,8
ABT-3X15	3X15	3	15	14,8
ABT-3X19	3X19	3	19	18,8
ABT-3X20	3X20	3	20	19,5
ABT-3X25	3X25	3	25	24,5



AKT

AKT 碳纤维环是由特殊的碳PTFE化合物制成的, 通常用于轻型和重型液压缸和气压缸的操作。

AKT carbon teflon ring wears that are produced from a special compaund of carbon+PTFE, are commonly used in the opeations of light and medium duty hydraulic and pneumatic cylinders.

技术参数 / TECHNICAL DATA

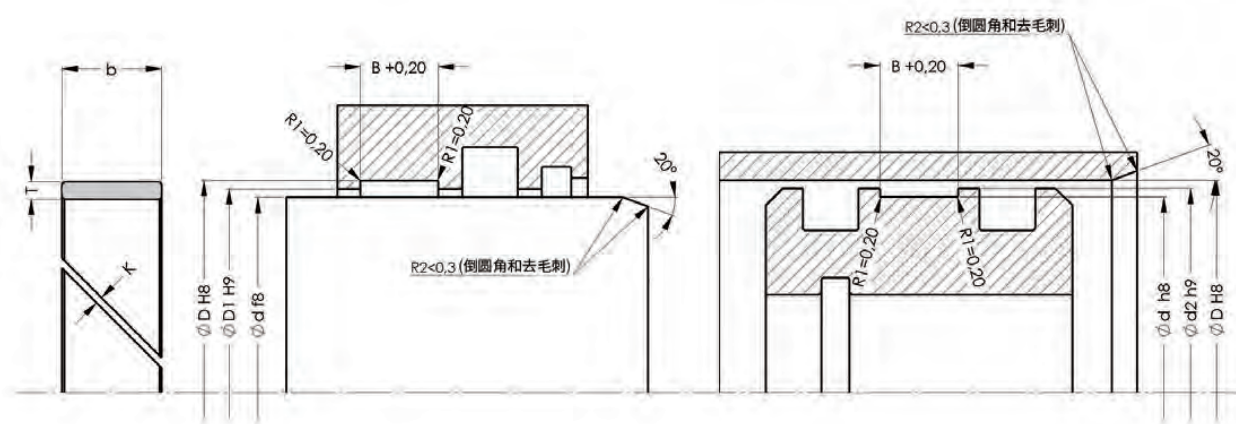
工作温度 / Working Temperature	-60 +200°C
滑动速度 / Sliding Speed	15 m/sn
材料 / Material	PTFE + 碳
介质 / Media	矿物基液压油 / Mineral Base Hydraulic Oil

表面粗糙度 / Surface Roughness

	Ra	Rmax
动态表面 / Dynamic Surface	≤0.3 μm	≤2.5 μm
槽底部 / Groove Base	≤1.6 μm	≤10 μm
槽侧面 / Groove Flanks	≤3.2 μm	≤12 μm

材料最大许允间隙 / Permissible Gap (max.)

径 (mm) / Diameter (mm)	S max (mm)
10-25	0.25±0.05
26-100	0.30±0.05
101-300	0.40±0.10
301-600	0.60±0.15
601-1200	0.80±0.20
>1200	0.90±0.30



ALP 码 - Code	尺寸 - Dimension	T	B	b
AKT-2,5X9,7	2,5X9,7	2,5	9,7	9,5
AKT-2,5X15	2,5X15	2,5	15	14,8
AKT-2,5X20	2,5X20	2,5	20	19,5



APR

APR 聚酯树脂导带是用于杆和活塞应用的导向元件设计的。

These are guiding elements designed for tape guide, rod and piston applications.

技术参数 / TECHNICAL DATA

工作温度 / Working Temperature	-30 +120°C
滑动速度 / Sliding Speed	1.0 m/sn
材料 / Material	酚醛树脂
介质 / Media	矿物基液压油 / Mineral Base Hydraulic Oil

表面粗糙度 / Surface Roughness

	Ra	Rmax
动态表面 / Dynamic Surface	≤0.3 μm	≤2.5 μm
槽底部 / Groove Base	≤1.6 μm	≤10 μm
槽侧面 / Groove Flanks	≤3.2 μm	≤12 μm





A301 活塞密封(孔用格莱圈)
Piston Seal



A302 单作用活塞密封
Single Acting Piston Seal



A303 反污染活塞密封
*Anti Contamination
Piston Seal*



A304 旋转杆密封
Rotary Rod Seal



A305 PTFE 防尘圈
Wiper



A306 活塞密封
Piston Seal



A307 旋转活塞密封
Rotary Piston Seal



A311 杆密封
Rod Seal

PTFE 密封元件
PTFE Sealing Elements





A301

A301活塞密封件是由PTFE和橡胶O型圈组合在一起使用。这种PTFE是特殊聚四氟乙烯化合物和青铜填料经过机械加工混合在一起，而O型圈作为蓄能依靠橡胶弹性使PTFE密封环能紧密的贴合于密封面上。

由于PTFE材料有低摩擦力这一基本特性，A301可以在高速滑动下安全使用。同时，A301组合密封可以通过改变O型圈材料，从而适用于除矿物油外的其它不同类型的液压油。

A301 piston seals are produced from a special compound of bronze-filled PTFE by machining technique combined with O-ring that is used as an energizing ring.

They can be used safely at high sliding speeds due to the low friction force which is among one of the essential properties of PTFE material. Moreover, they can be used for different type of oils except mineral oils by changing O-ring material.

技术参数 / TECHNICAL DATA

工作压力 / Working Pressure	400 Bar
工作温度 / Working Temperature	-30 +105°C
滑动速度 / Sliding Speed	5 m/sn
材料 / Material	PTFE + 青铜 + 70 NBR
介质 / Media	矿物基液压油 / Mineral Base Hydraulic Oil

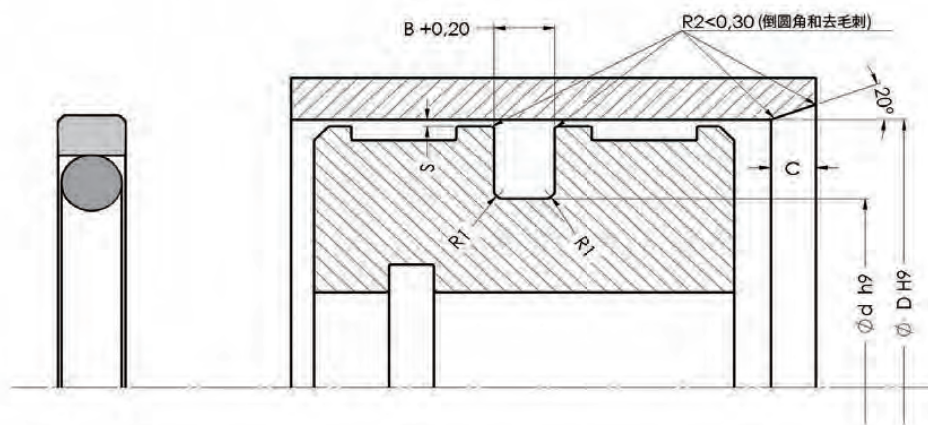
表面粗糙度 / Surface Roughness

	Ra	Rmax
动态表面 / Dynamic Surface	≤0.2 μm	≤2 μm
槽底部 / Groove Base	≤1.6 μm	≤6.3 μm
槽侧面 / Groove Flanks	≤3.2 μm	≤15 μm

材料最大许允间隙 / Permissible Gap (max.)

外壳长度 / Housing Length (B)	压力值 (巴) / Pressure (bar)		
	150	250	400
2.2	0.3	0.20	0.15
3.2	0.4	0.25	0.15
4.2	0.4	0.25	0.20
6.3	0.5	0.3	0.20
8.1	0.6	0.35	0.25
9.5	0.7	0.50	0.30

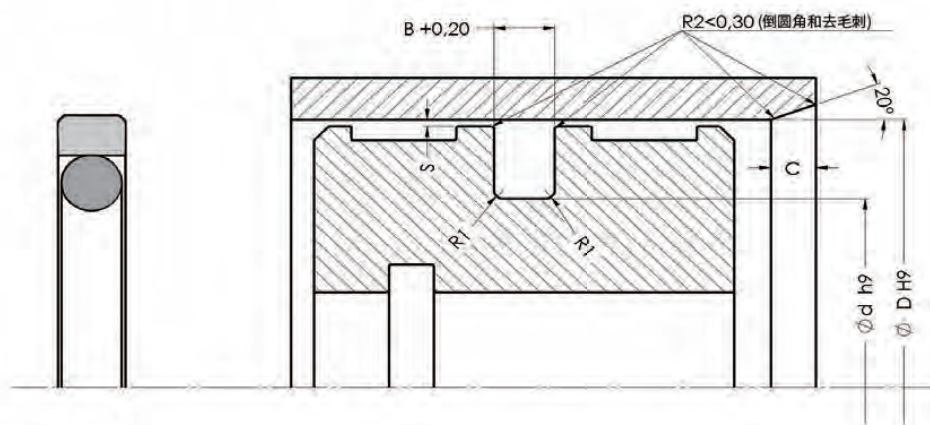




ALP 码 - Code	尺寸 - Dimension	ØD	Ød	B	R1	C
A301 012-007,1	12X7,1X2,2	12	7,1	2,2	0,4	3
A301 014-009,1	14X9,1X2,2	14	9,1	2,2	0,4	3
A301 015-007,5	15X7,5X3,2	15	7,5	3,2	0,6	4,5
A301 016-008,5	16X8,5X3,2	16	8,5	3,2	0,6	4,5
A301 018-013,1	18X13,1X2,2	18	13,1	2,2	0,4	3
A301 020-012,5	20X12,5X3,2	20	12,5	3,2	0,6	4,5
A301 025-014	25X14X4,2	25	14	4,2	1	6
A301 025-017,5	25X17,5X3,2	25	17,5	3,2	0,6	4,5
A301 030-019,3	30X19,3X3,2	30	19,3	3,2	1	6
A301 030-022,5	30X22,5X3,2	30	22,5	3,2	0,6	4,5
A301 032-021	32X21X4,2	32	21	4,2	1	6
A301 032-024,5	32X24,5X3,2	32	24,5	3,2	0,6	4,5
A301 035-027,5	35X27,5X3,2	35	27,5	3,2	0,6	4,5
A301 038,1-030,6	38,1X30,6X3,2	38,1	30,6	3,2	0,6	4,5
A301 040-029	40X29X4,2	40	29	4,2	1	6
A301 040-029,5	40X29,5X4,2	40	29,5	4,2	1	6
A301 040-032,5	40X32,5X3,2	40	32,5	3,2	0,6	4,5
A301 045-034	45X34X4,2	45	34	4,2	1	6
A301 048-037	48X37X4,2	48	37	4,2	1	6
A301 050-034,5	50X34,5X6,3	50	34,5	6,3	1,3	8
A301 050-039	50X39X4,2	50	39	4,2	1	6
A301 050,8-039,8	50,8X39,8X4,2	50,8	39,8	4,2	1	6
A301 055-039,5	55X39,5X6,3	55	39,5	6,3	1,3	8
A301 055-044	55X44X4,2	55	44	4,2	1	6
A301 060-044,5	60X44,5X6,3	60	44,5	6,3	1,3	8
A301 060-049	60X49X4,2	60	49	4,2	1	6
A301 062-051	62X51X4,2	62	51	4,2	1	6
A301 063-042	63X42X8,1	63	42	8,1	1,8	10,5
A301 063-047,5	63X47,5X6,3	63	47,5	6,3	1,3	8
A301 063-052	63X52X4,2	63	52	4,2	1	6
A301 063-055,5	63X55,5X3,2	63	55,5	3,2	0,6	4,5
A301 063,5-056	63,5X56X3,2	63,5	56	3,2	0,6	4,5
A301 065-049,5	65X49,5X6,3	65	49,5	6,3	1,3	8
A301 065-054	65X54X4,2	65	54	4,2	1	6
A301 068-057	68X57X4,2	68	57	4,2	1	6
A301 070-054,5	70X54,5X6,3	70	54,5	6,3	1,3	8
A301 070-059	70X59X4,2	70	59	4,2	1	6
A301 075-059,5	75X59,5X6,3	75	59,5	6,3	1,3	8
A301 075-064	75X64X4,2	75	64	4,2	1	6

A301





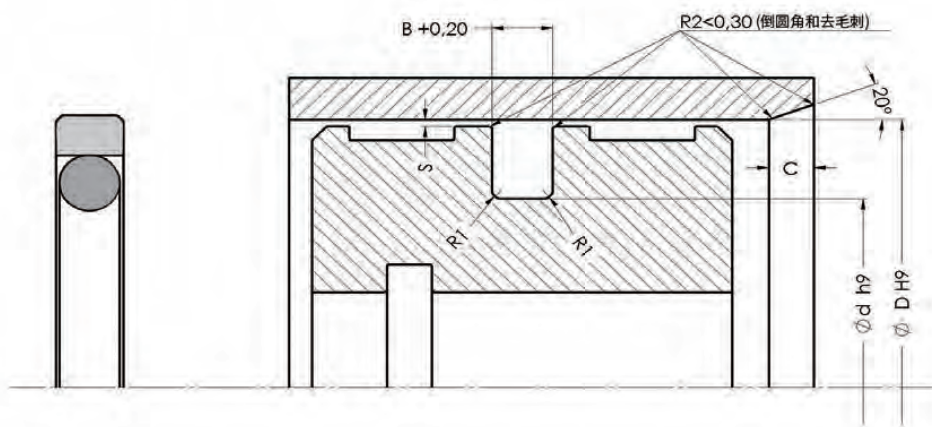
ALP 码 - Code	尺寸 - Dimension	ØD	Ød	B	R1	C
A301 076-065	76X65X4,2	76	65	4,2	1	6
A301 080-059	80X59X8,1	80	59	8,1	1,8	10,5
A301 080-064,5	80X64,5X6,3	80	64,5	6,3	1,3	8
A301 080-069	80X69X4,2	80	69	4,2	1	6
A301 082,6-067,1	82,6X67,1X6,3	82,6	67,1	6,3	1,3	8
A301 085-064	85X64X8,1	85	64	8,1	1,8	10,5
A301 085-069,5	85X69,5X6,3	85	69,5	6,3	1,3	8
A301 085-074	85X74X4,2	85	74	4,2	1	6
A301 090-069	90X69X8,1	90	69	8,1	1,8	10,5
A301 090-074,5	90X74,5X6,3	90	74,5	6,3	1,3	8
A301 090-079	90X79X4,2	90	79	4,2	1	6
A301 095-079,5	95X79,5X6,3	95	79,5	6,3	1,3	8
A301 100-079	100X79X8,1	100	79	8,1	1,8	10,5
A301 100-084,5	100X84,5X6,3	100	84,5	6,3	1,3	8
A301 100-089	100X89X4,2	100	89	4,2	1	6
A301 105-089,5	105X89,5X6,3	105	89,5	6,3	1,3	8
A301 110-089	110X89X8,1	110	89	8,1	1,8	10,5
A301 110-094,5	110X94,5X6,3	110	94,5	6,3	1,3	8
A301 110-099	110X99X4,2	110	99	4,2	1	6
A301 115-094	115X94X8,1	115	94	8,1	1,8	10,5
A301 115-099,5	115X99,5X6,3	115	99,5	6,3	1,3	8
A301 120-099	120X99X8,1	120	99	8,1	1,8	10,5
A301 120-104,5	120X104,5X6,3	120	104,5	6,3	1,3	8
A301 125-104	125X104X8,1	125	104	8,1	1,8	10,5
A301 125-109,5	125X109,5X6,3	125	109,5	6,3	1,3	8
A301 125-114	125X114X4,2	125	114	4,2	1	6
A301 127-111,5	127X111,5X6,3	127	111,5	6,3	1,3	8
A301 130-109	130X109X8,1	130	109	8,1	1,8	10,5
A301 130-114,5	130X114,5X6,3	130	114,5	6,3	1,3	8
A301 140-119	140X119X8,1	140	119	8,1	1,8	10,5
A301 140-124,5	140X124,5X6,3	140	124,5	6,3	1,3	8
A301 145-124	145X124X8,1	145	124	8,1	1,8	10,5
A301 150-129	150X129X8,1	150	129	8,1	1,8	10,5
A301 152,4-131,4	152,4X131,4X8,1	152,4	131,4	8,1	1,8	10,5
A301 155-134	155X134X8,1	155	134	8,1	1,8	10,5
A301 160-139	160X139X8,1	160	139	8,1	1,8	10,5
A301 165-144	165X144X8,1	165	144	8,1	1,8	10,5
A301 170-149	170X149X8,1	170	149	8,1	1,8	10,5
A301 180-159	180X159X8,1	180	159	8,1	1,8	10,5

A301

ALP 码 - Code	尺寸 - Dimension	ØD	Ød	B	R1	C
A301 185-164	185X164X8,1	185	164	8,1	1,8	10,5
A301 188-167	188X167X8,1	188	167	8,1	1,8	10,5
A301 190-169	190X169X8,1	190	169	8,1	1,8	10,5
A301 198-177	198X177X8,1	198	177	8,1	1,8	10,5
A301 200-179	200X179X8,1	200	179	8,1	1,8	10,5
A301 200-184,5	200X184,5X6,3	200	184,5	6,3	1,3	8
A301 203,2-182,2	203,2X182,2X8,1	203,2	182,2	8,1	1,8	10,5
A301 205-184	205X184X8,1	205	184	8,1	1,8	10,5
A301 210-189	210X189X8,1	210	189	8,1	1,8	10,5
A301 215-194	215X194X8,1	215	194	8,1	1,8	10,5
A301 220-199	220X199X8,1	220	199	8,1	1,8	10,5
A301 225-204	225X204X8,1	225	204	8,1	1,8	10,5
A301 225-209,5	225X209,5X6,3	225	209,5	6,3	1,3	8
A301 230-209	230X209X8,1	230	209	8,1	1,8	10,5
A301 240-219	240X219X8,1	240	219	8,1	1,8	10,5
A301 245-224	245X224X8,1	245	224	8,1	1,8	10,5
A301 250-229	250X229X8,1	250	229	8,1	1,8	10,5
A301 254-233	254X233X8,1	254	233	8,1	1,8	10,5
A301 260-239	260X239X8,1	260	239	8,1	1,8	10,5
A301 265-244	265X244X8,1	265	244	8,1	1,8	10,5
A301 270-249	270X249X8,1	270	249	8,1	1,8	10,5
A301 275-254	275X254X8,1	275	254	8,1	1,8	10,5
A301 280-259	280X259X8,1	280	259	8,1	1,8	10,5
A301 300-279	300X279X8,1	300	279	8,1	1,8	10,5
A301 304,8-283,8	304,8X283,8X8,1	304,8	283,8	8,1	1,8	10,5
A301 305-284	305X284X8,1	305	284	8,1	1,8	10,5
A301 310-289	310X289X8,1	310	289	8,1	1,8	10,5
A301 320-295,5	320X295,5X8,1	320	295,5	8,1	1,8	12
A301 320-299	320X299X8,1	320	299	8,1	1,8	10,5
A301 330-305,5	330X305,5X8,1	330	305,5	8,1	1,8	12
A301 340-315,5	340X315,5X8,1	340	315,5	8,1	1,8	12
A301 340-319	340X319X8,1	340	319	8,1	1,8	10,5
A301 350-325,5	350X325,5X8,1	350	325,5	8,1	1,8	12
A301 360-335,5	360X335,5X8,1	360	335,5	8,1	1,8	12
A301 370-345,5	370X345,5X8,1	370	345,5	8,1	1,8	12
A301 380-355,5	380X355,5X8,1	380	355,5	8,1	1,8	12
A301 390-365,5	390X365,5X8,1	390	365,5	8,1	1,8	12
A301 400-375,5	400X375,5X8,1	400	375,5	8,1	1,8	12
A301 420-395,5	420X395,5X8,1	420	395,5	8,1	1,8	12
A301 430-405,5	430X405,5X8,1	430	405,5	8,1	1,8	12
A301 450-425,5	450X425,5X8,1	450	425,5	8,1	1,8	12
A301 460-435,5	460X435,5X8,1	460	435,5	8,1	1,8	12
A301 480-455,5	480X455,5X8,1	480	455,5	8,1	1,8	12
A301 485-460,5	485X460,5X8,1	485	460,5	8,1	1,8	12
A301 500-475,5	500X475,5X8,1	500	475,5	8,1	1,8	12
A301 520-495,5	520X495,5X8,1	520	495,5	8,1	1,8	12
A301 530-505,5	530X505,5X8,1	530	505,5	8,1	1,8	12
A301 540-515,5	540X515,5X8,1	540	515,5	8,1	1,8	12
A301 600-575,5	600X575,5X8,1	600	575,5	8,1	2	12
A301 610-585,5	610X585,5X8,1	610	585,5	8,1	2	12
A301 620-595,5	620X595,5X8,1	620	595,5	8,1	2	12
A301 630-605,5	630X605,5X8,1	630	605,5	8,1	2	12
A301 640-615,5	640X615,5X8,1	640	615,5	8,1	2	12
A301 650-625,5	650X625,5X8,1	650	625,5	8,1	2	12

A301





ALP 码 - Code	尺寸 - Dimension	ØD	Ød	B	R1	C
A301 660-635,5	660X635,5X8,1	660	635,5	8,1	2	12
A301 670-642	670X642X9,5	670	642	9,5	2	13
A301 680-652	680X652X9,5	680	652	9,5	2	13
A301 690-662	690X662X9,5	690	662	9,5	2	13
A301 700-672	700X672X9,5	700	672	9,5	2	13
A301 710-682	710X682X9,5	710	682	9,5	2	13
A301 720-692	720X692X9,5	720	692	9,5	2	13
A301 730-702	730X702X9,5	730	702	9,5	2	13
A301 740-712	740X712X9,5	740	712	9,5	2	13
A301 750-722	750X722X9,5	750	722	9,5	2	13
A301 760-732	760X732X9,5	760	732	9,5	2	13
A301 770-742	770X742X9,5	770	742	9,5	2	13
A301 780-752	780X752X9,5	780	752	9,5	2	13
A301 790-762	790X762X9,5	790	762	9,5	2	13
A301 800-772	800X772X9,5	800	772	9,5	2	13
A301 810-782	810X782X9,5	810	782	9,5	2	13
A301 820-792	820X792X9,5	820	792	9,5	2	13
A301 830-802	830X802X9,5	830	802	9,5	2	13
A301 840-812	840X812X9,5	840	812	9,5	2	13
A301 850-822	850X822X9,5	850	822	9,5	2	13
A301 860-832	860X832X9,5	860	832	9,5	2	13
A301 865-837	865X837X9,5	865	837	9,5	2	13
A301 870-842	870X842X9,5	870	842	9,5	2	13
A301 880-852	880X852X9,5	880	852	9,5	2	13
A301 890-862	890X862X9,5	890	862	9,5	2	13
A301 900-872	900X872X9,5	900	872	9,5	2	13
A301 910-882	910X882X9,5	910	882	9,5	2	13
A301 920-892	920X892X9,5	920	892	9,5	2	13
A301 930-902	930X902X9,5	930	902	9,5	2	13
A301 940-912	940X912X9,5	940	912	9,5	2	13
A301 950-922	950X922X9,5	950	922	9,5	2	13
A301 960-932	960X932X9,5	960	932	9,5	2	13
A301 965-937	965X937X9,5	965	937	9,5	2	13
A301 970-942	970X942X9,5	970	942	9,5	2	13
A301 980-952	980X952X9,5	980	952	9,5	2	13
A301 990-962	990X962X9,5	990	962	9,5	2	13
A301 1000-962	1000X962X13,8	1000	962	13,8	2	13
A301 1000-972	1000X972X9,5	1000	972	9,5	2	13
A301 1010-982	1010X982X9,5	1010	982	9,5	2	13

A301

ALP 码 - Code	尺寸 - Dimension	ØD	Ød	B	R1	C
A301 1020-992	1020X992X9,5	1020	992	9,5	2	13
A301 1030-1002	1030X1002X9,5	1030	1002	9,5	2	13
A301 1040-1012	1040X1012X9,5	1040	1012	9,5	2	13
A301 1050-1022	1050X1022X9,5	1050	1022	9,5	2	13
A301 1060-1032	1060X1032X9,5	1060	1032	9,5	2	13
A301 1065-1027	1065X1027X13,8	1065	1027	13,8	2	13
A301 1070-1032	1070X1032X13,8	1070	1032	13,8	2	13
A301 1070-1042	1070X1042X9,5	1070	1042	9,5	2	13
A301 1080-1052	1080X1052X9,5	1080	1052	9,5	2	13
A301 1090-1062	1090X1062X9,5	1090	1062	9,5	2	13
A301 1100-1072	1100X1072X9,5	1100	1072	9,5	2	13
A301 1120-1092	1120X1092X9,5	1120	1092	9,5	2	13

A301





A302

A302 单作用活塞密封是由PTFE和橡胶 O型圈组合在一起使用。这种PTFE 是特殊聚四氟乙烯化合物和青铜填料经过机械加工混合在一起, 而O型圈作为蓄能依靠橡胶弹性使PTFE密封环能紧密的贴合于密封面上。

由于PTFE 材料有抵摩擦力这一基本特性, A302 可以在高滑动下安全使用。同时, A302 单作用活塞密封可以通过改变O型圈材料, 从而适用于除矿物油外的其它不同类型的液压油。

A302 Piston seals are produced from a special compound of bronze-filled PTFE by machining technique combined with O-ring that is used as an energizing ring and they work as single acting in the hydraulic cylinders .

They can be used safely at high sliding speeds due to the low friction force which is among one of the essential properties of PTFE material. Moreover, they can be used for different type of oils except mineral oils by changing O-ring material.

技术参数 / TECHNICAL DATA

工作压力 / Working Pressure	400 Bar
工作温度 / Working Temperature	-30 +105°C
滑动速度 / Sliding Speed	5 m/sn
材料 / Material	PTFE +青铜 + 70 NBR
介质 / Media	矿物基液压油 / Mineral Base Hydraulic Oil

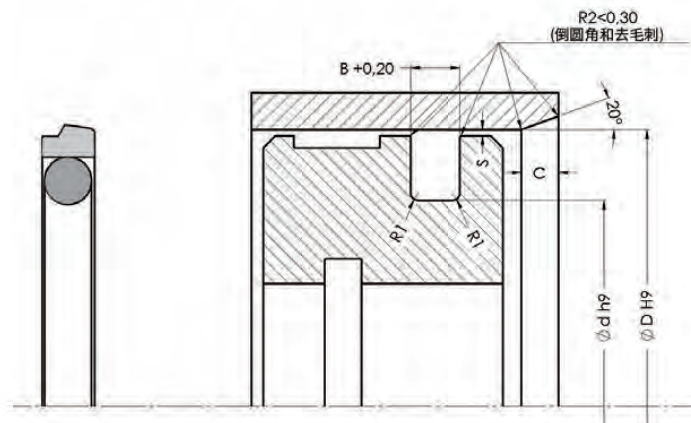
表面粗糙度 / Surface Roughness

	Ra	Rmax
动态表面 / Dynamic Surface	≤0.2 μm	≤2 μm
槽底部 / Groove Base	≤1.6 μm	≤6.3 μm
槽侧面 / Groove Flanks	≤3.2 μm	≤15 μm

材料最大许允间隙 / Permissible Gap (max.)

外壳长度 / Housing Length (B)	压力值 (巴) / Pressure (bar)		
	150	250	400
2.2	0.3	0.20	0.15
3.2	0.4	0.25	0.15
4.2	0.4	0.25	0.20
6.3	0.5	0.3	0.20
8.1	0.6	0.35	0.25
9.5	0.7	0.50	0.30



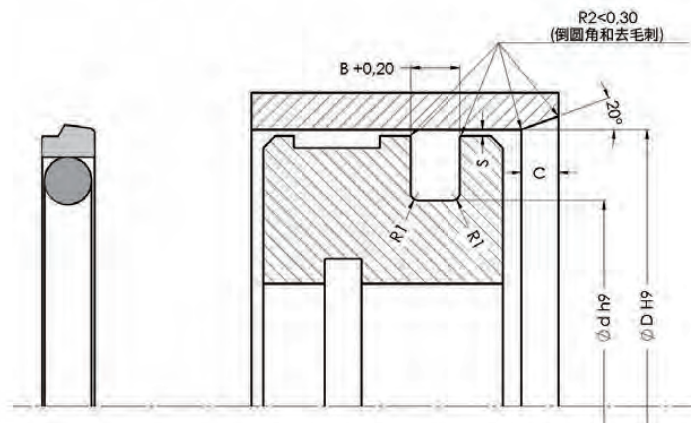


ALP 码 - Code	尺寸 - Dimension	ØD	Ød	B	R1	C
A302-030	30X19,3X4,2	30	19,3	4,2	1	6
A302-032	32X21,3X4,2	32	21,3	4,2	1	6
A302-040	40X29,3X4,2	40	29,3	4,2	1	6
A302-050	50X39,3X4,2	50	39,3	4,2	1	6
A302-060	60X44,9X6,3	60	44,9	6,3	1,3	8
A302-060/1	60X49,3X4,2	60	49,3	4,2	1	6
A302-063	63X47,9X6,3	63	47,9	6,3	1,3	8
A302-070/1	70X54,9X6,3	70	54,9	6,3	1,3	8
A302-070	70X59,3X4,2	70	59,3	4,2	1	6
A302-075	75X59,9X6,3	75	59,9	6,3	1,3	8
A302-075/1	75X64X4,2	75	64	4,2	1	6
A302-080	80X64,9X6,3	80	64,9	6,3	1,3	8
A302-085	85X69,9X6,3	85	69,9	6,3	1,3	8
A302-090	90X74,9X6,3	90	74,9	6,3	1,3	8
A302-095	95X79,9X6,3	95	79,9	6,3	1,3	8
A302-100	100X84,9X6,3	100	84,9	6,3	1,3	8
A302-110	110X94,9X6,3	110	94,9	6,3	1,3	8
A302-115	115X99,9X6,3	115	99,9	6,3	1,3	8
A302-120	120X104,9X6,3	120	104,9	6,3	1,3	8
A302-125	125X109,9X6,3	125	109,9	6,3	1,3	8
A302-130	130X109,5X8,1	130	109,5	8,1	1,8	10,25
A302-130/1	130X114,9X6,3	130	114,9	6,3	1,3	8
A302-140	140X124,9X6,3	140	124,9	6,3	1,3	8
A302-150/1	150X134,5X6,3	150	134,5	6,3	1,3	8
A302-150	150X134,9X6,3	150	134,9	6,3	1,3	8
A302-160/1	160X139,5X8,1	160	139,5	8,1	1,8	10,25
A302-160	160X144,9X6,3	160	144,9	6,3	1,3	8
A302-170	170X154,9X6,3	170	154,9	6,3	1,3	8
A302-180/1	180X159,5X8,1	180	159,5	8,1	1,8	10,25
A302-180	180X164,9X6,3	180	164,9	6,3	1,3	8
A302-190	190X174,9X6,3	190	174,9	6,3	1,3	8
A302-200	200X179,5X8,1	200	179,5	8,1	1,8	10,25
A302-210	210X189,5X8,1	210	189,5	8,1	1,8	10,25
A302-220	220X199,5X8,1	220	199,5	8,1	1,8	10,25
A302-225	225X204,5X8,1	225	204,5	8,1	1,8	10,25
A302-228	228X217,3X4,2	228	217,3	4,2	1	6
A302-230	230X209,5X8,1	230	209,5	8,1	1,8	10,25
A302-240	240X219,5X8,1	240	219,5	8,1	1,8	10,25
A302-240/1	240X229,3X4,2	240	229,3	4,2	1	6

A302



全球密封方案



ALP 码 - Code	尺寸 - Dimension	ØD	Ød	B	R1	C
A302-250	250X229,5X8,1	250	229,5	8,1	1,8	10,25
A302-260	260X236X8,1	260	236	8,1	1,8	12
A302-270	270X246X8,1	270	246	8,1	1,8	12
A302-276	276X265,3X4,2	276	265,3	4,2	1	6
A302-280	280X256X8,1	280	256	8,1	1,8	12
A302-290	290X266X8,1	290	266	8,1	1,8	12
A302-290/1	290X279,3X4,2	290	279,3	4,2	1	6
A302-300	300X276X8,1	300	276	8,1	1,8	12
A302-320	320X296X8,1	320	296	8,1	1,8	12
A302-340	340X316X8,1	340	316	8,1	1,8	12
A302-360	360X336X8,1	360	336	8,1	1,8	12
A302-380	380X356X8,1	380	356	8,1	1,8	12
A302-400	400X376X8,1	400	376	8,1	1,8	12
A302-500	500X476X8,1	500	476	8,1	1,8	12
A302-540	540X516X8,1	540	516	8,1	1,8	12
A302-600	600X576X8,1	600	576	8,1	1,8	12
A302-650	650X626X8,1	650	626	8,1	1,8	12
A302-700	700X672,7X9,5	700	672,7	9,5	2	14
A302-800	800X772,7X9,5	800	772,7	9,5	2	14
A302-860	860X832,7X9,5	860	832,7	9,5	2	14
A302-900	900X872,7X9,5	900	872,7	9,5	2	14
A302-920	920X892,7X9,5	920	892,7	9,5	2	14
A302-1000	1000X972,7X9,5	1000	972,7	9,5	2	14

A302



A303

A303 特殊PTFE材质抗污染密封件可用于活塞应用。可以根据特殊要求设计不同的应用。A303 主要是为了防止任何有害的颗粒物进入液压缸系统内。此外, 通过A303密封件可以减少因油中空气问题而引起的柴油作用对柴油机造成的任何有害损害。

由于特殊的PTFE材料, 颗粒会粘在我们的A303密封上, 并且无法移动到其它区域。以此方式, 延长了现有密封元件的寿命, 并减少了维护/维修时间, 减少了不希望的故障可能性。

A303 special PTFE shield seals can be used in piston applications. It is possible to design for different applications on special request. Aim of these seals are to prevent foreign particles from entering in the hydraulic systems and thus protects additional sealing elements. Also, any harmful damages from diesel effect caused by air in oil problem is reduced by A303 seals.

Thanks to our special PTFE material, unwanted particles stick on our A303 seal and cannot move to other areas. In this way, the life of the existing sealing elements is prolonged and maintenance / repair times are reduced, undesired failure possibility is reduced.

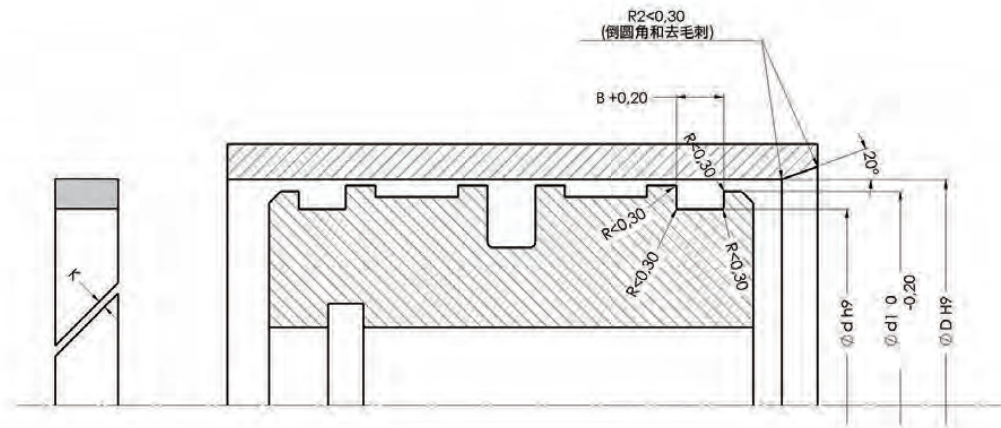
技术参数 / TECHNICAL DATA

工作温度 / Working Temperature	-45 +220°C
滑动速度 / Sliding Speed	5 m/sn
材料 / Material	PTFE+碳
介质 / Media	矿物基液压油 / Mineral Base Hydraulic Oil

表面粗糙度 / Surface Roughness

	Ra	Rmax
动态表面 / Dynamic Surface	≤0.3 μm	≤3 μm
槽底部 / Groove Base	≤1.8 μm	≤10 μm
槽侧面 / Groove Flanks	≤3.2 μm	≤16 μm





ALP 码 - Code	尺寸 - Dimension	ØD	Ød	B	Ød1
A303-020	20X14X5,2	20	14	5,2	18
A303-025	25X19X5,2	25	19	5,2	23
A303-030	30X24X5,2	30	24	5,2	28
A303-031	31,5X25,5X5,2	31,5	25,5	5,2	29,5
A303-032	32X26X5,2	32	26	5,2	30
A303-035	35X29X5,2	35	29	5,2	33
A303-040	40X34X5,2	40	34	5,2	38
A303-045	45X39X5,2	45	39	5,2	43
A303-050	50X44X5,2	50	44	5,2	48
A303-053	53X47X5,2	53	47	5,2	51
A303-055	55X49X5,2	55	49	5,2	53
A303-056	56X50X5,2	56	50	5,2	54
A303-060	60X54X5,2	60	54	5,2	58
A303-063	63X55X6,2	63	55	6,2	61
A303-065	65X57X6,2	65	57	6,2	63
A303-070	70X62X6,2	70	62	6,2	68
A303-071	71X63X6,2	71	63	6,2	69
A303-075	75X67X6,2	75	67	6,2	73
A303-080	80X72X6,2	80	72	6,2	78
A303-085	85X77X6,2	85	77	6,2	83
A303-090	90X82X6,2	90	82	6,2	88
A303-095	95X87X6,2	95	87	6,2	93
A303-100	100X92X6,2	100	92	6,2	98
A303-105	105X97X6,2	105	97	6,2	103
A303-110	110X102X6,2	110	102	6,2	108
A303-112	112X104X6,2	112	104	6,2	110
A303-115	115X107X6,2	115	107	6,2	113
A303-120	120X112X6,2	120	112	6,2	118
A303-125	125X117X6,2	125	117	6,2	123
A303-130	130X122X6,2	130	122	6,2	128
A303-135	135X127X6,2	135	127	6,2	133
A303-140	140X132X6,2	140	132	6,2	138
A303-150	150X142X6,2	150	142	6,2	148
A303-160	160X152X6,2	160	152	6,2	158
A303-170	170X162X8,2	170	162	8,2	168
A303-180	180X172X8,2	180	172	8,2	178
A303-190	190X182X8,2	190	182	8,2	188
A303-200	200X192X8,2	200	192	8,2	198
A303-210	210X202X8,2	210	202	8,2	208

A303





A304

A304旋转杆密封件是由PTFE和橡胶O型圈组合在一起使用。这种PTFE是特殊聚四氟乙烯化合物和青铜填料经过机械加工混合在一起，而O型圈作为蓄能环依靠橡胶弹性使PTFE密封环能紧密的合于密封面上。此种密封被设计用于在高压下的情形当中，具有良好的密封特性。

由有PTFE材料低摩擦力这一基本特性，A304可以在高速滑动下安全使用。同时，A304组合密封可以通过改变O型圈材料，从而适用于除矿物油外的其它不同类型的液压油。

A304 rotary rod seals are composed of a special compound of bronze-filled PTFE by machining technique combined with o-ring that is used as an energizing ring. They are designed to provide imperviousness under high pressure in rotary applications.

They are suitable for high sliding speeds due to the low friction force which is among one of the essential properties of PTFE material. Moreover, they can be used for different type of oils except mineral oils by changing O-ring material.

技术参数 / TECHNICAL DATA

工作压力 / Working Pressure	300 Bar
工作温度 / Working Temperature	-30 +105°C
滑动速度 / Sliding Speed	5 m/sn
材料 / Material	PTFE + 青铜+ 70 NBR
介质 / Media	矿物基液压油 / Mineral Base Hydraulic Oil

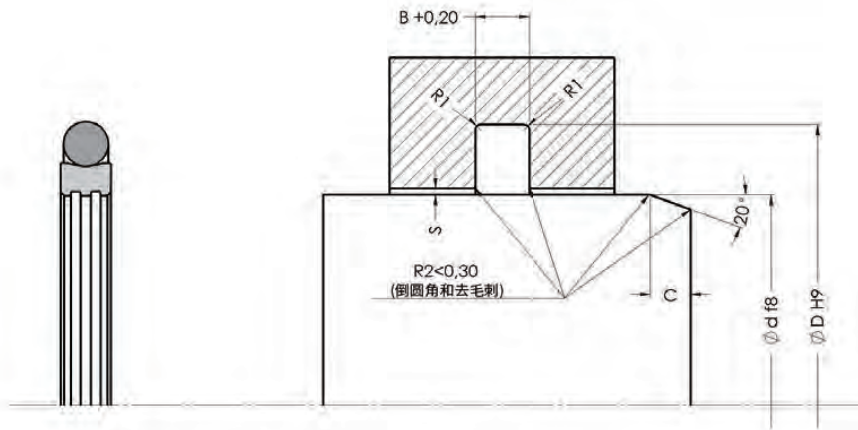
表面粗糙度 / Surface Roughness

	Ra	Rmax
动态表面 / Dynamic Surface	≤0.2 μm	≤2 μm
槽底部 / Groove Base	≤1.6 μm	≤6.3 μm
槽侧面 / Groove Flanks	≤3.2 μm	≤15 μm

材料最大许允间隙 / Permissible Gap (max.)

外壳长度 / Housing Length (B)	压力值 (巴) / Pressure (bar)		
	150	250	300
2.2	0.15	0.10	0.075
3.2	0.20	0.15	0.10
4.2	0.20	0.15	0.10
6.3	0.30	0.20	0.15
8.1	0.30	0.20	0.15





ALP 码 - Code	尺寸- Dimension	Ød	ØD	B	R1	C
A304-012	12X16,9X2,2	12	16,9	2,2	0,4	2
A304-015	15X19,9X2,2	15	19,9	2,2	0,4	2
A304-020	20X27,5X3,2	20	27,5	3,2	0,6	2,5
A304-025	25X32,5X3,2	25	32,5	3,2	0,6	2,5
A304-028	28X32,9X2,2	28	32,9	2,2	0,4	2
A304-030	30X37,5X3,2	30	37,5	3,2	0,6	2,5
A304-035	35X42,5X3,2	35	42,5	3,2	0,6	2,5
A304-037	37,5X45X3,2	37,5	45	3,2	0,6	2,5
A304-040	40X51X4,2	40	51	4,2	0,8	3,5
A304-045	45X56X4,2	45	56	4,2	0,8	3,5
A304-050	50X61X4,2	50	61	4,2	0,8	3,5
A304-055	55X66X4,2	55	66	4,2	0,8	3,5
A304-060	60X71X4,2	60	71	4,2	0,8	3,5
A304-065	65X76X4,2	65	76	4,2	0,8	3,5
A304-070	70X81X4,2	70	81	4,2	0,8	3,5
A304-075	75X86X4,2	75	86	4,2	0,8	3,5
A304-080	80X91X4,2	80	91	4,2	0,8	3,5
A304-085	85X96X4,2	85	96	4,2	0,8	3,5
A304-090	90X101X4,2	90	101	4,2	0,8	3,5
A304-095	95X106X4,2	95	106	4,2	0,8	3,5
A304-100	100X111X4,2	100	111	4,2	0,8	3,5
A304-105	105X116X4,2	105	116	4,2	0,8	3,5
A304-110	110X121X4,2	110	121	4,2	0,8	3,5
A304-115	115X126X4,2	115	126	4,2	0,8	3,5
A304-120	120X131X4,2	120	131	4,2	0,8	3,5
A304-125	125X136X4,2	125	136	4,2	0,8	3,5
A304-130	130X141X4,2	130	141	4,2	0,8	3,5
A304-140	140X151X4,2	140	151	4,2	0,8	3,5
A304-145	145X156X4,2	145	156	4,2	0,8	3,5
A304-150	150X161X4,2	150	161	4,2	0,8	3,5
A304-155	155X166X4,2	155	166	4,2	0,8	3,5
A304-160	160X171X4,2	160	171	4,2	0,8	3,5
A304-170	170X181X4,2	170	181	4,2	0,8	3,5
A304-180	180X191X4,2	180	191	4,2	0,8	3,5
A304-190	190X201X4,2	190	201	4,2	0,8	3,5
A304-200	200X215,5X6,3	200	215,5	6,3	1,2	5
A304-210	210X225,5X6,3	210	225,5	6,3	1,2	5
A304-220	220X235,5X6,3	220	235,5	6,3	1,2	5
A304-240	240X255,5X6,3	240	255,5	6,3	1,2	5

A304





A305

A305 防尘圈, 是由PTFE和橡胶O型圈组合在一起使用。这种PTFE 是特殊聚四氟乙烯化合物和青铜填料经过机械加工混合在一起组成。

由于PTFE 材料低摩擦力这一基本特性, A305 可以在高速滑动下安全使用。同时, A305 防尘圈可以通过改变O型圈材料, 从而适用于除矿物油外的其它不同类型的液压油。

A305 PTFE wipers are composed of a special compound of bronze-filled PTFE by machining technique combined with O-ring that is used as an energizing ring.

They can be used safely at high sliding speeds due to the low friction force which is among one of the essential properties of PTFE material. Moreover, they can be used for different type of oils except mineral oils by changing O-ring material.

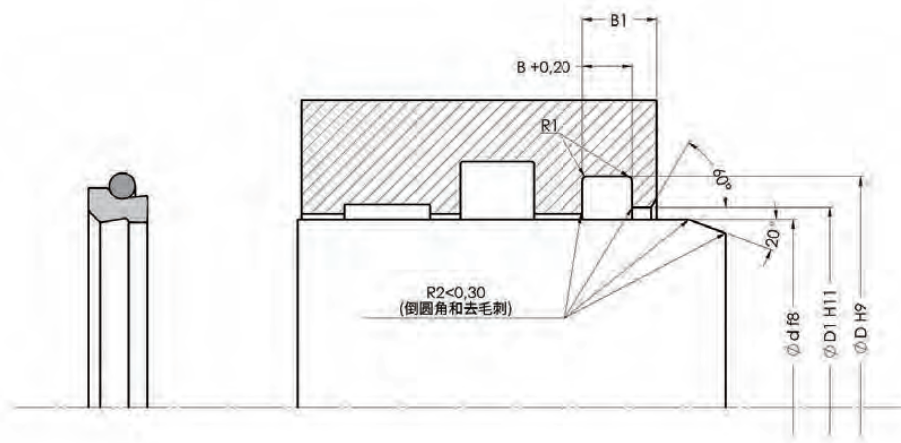
技术参数 / TECHNICAL DATA

工作温度 / Working Temperature	-30 +105°C
滑动速度 / Sliding Speed	5 m/sn
材料 / Material	PTFE + 青铜+ 70 NBR
介质 / Media	矿物基液压油 / Mineral Base Hydraulic Oil

表面粗糙度 / Surface Roughness

	Ra	Rmax
动态表面 / Dynamic Surface	≤0.4 μm	≤ 3.2 μm
槽底部 / Groove Base	≤1.6 μm	≤ 6.3 μm
槽侧面 / Groove Flanks	≤3.2 μm	≤16 μm

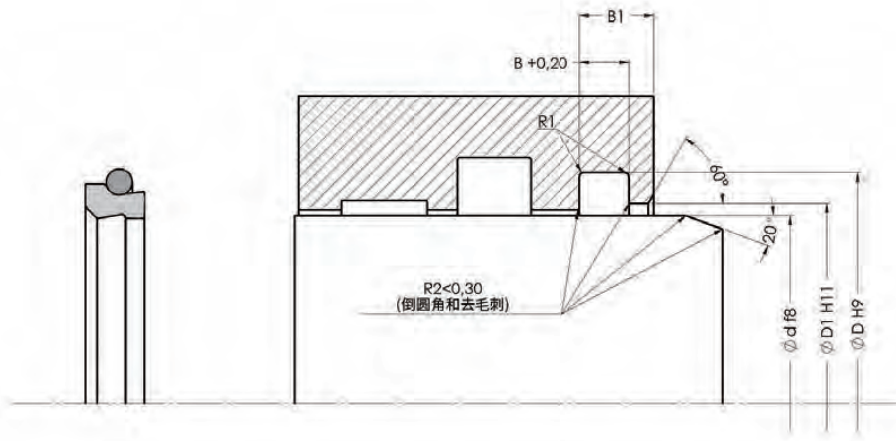




ALP 码 - Code	尺寸 - Dimension	Ød	ØD	ØD1	B	B1	R1
A305-020	20X27,6X4,2	20	27,6	21,5	4,2	7,2	0,8
A305-025	25X32,6X4,2	25	32,6	26,5	4,2	7,2	0,8
A305-028	28X35,6X4,2	28	35,6	29,5	4,2	7,2	0,8
A305-030	30X37,6X4,2	30	37,6	31,5	4,2	7,2	0,8
A305-032	32X39,6X4,2	32	39,6	33,5	4,2	7,2	0,8
A305-040	40X48,8X6,3	40	48,8	41,5	6,3	9,3	0,8
A305-045	45X53,8X6,3	45	53,8	46,5	6,3	9,3	0,8
A305-050	50X58,8X6,3	50	58,8	51,5	6,3	9,3	0,8
A305-055	55X63,8X6,3	55	63,8	56,5	6,3	9,3	0,8
A305-056	56X64,8X6,3	56	64,8	57,5	6,3	9,3	0,8
A305-060	60X68,8X6,3	60	68,8	61,5	6,3	9,3	0,8
A305-063	63X71,8X6,3	63	71,8	64,5	6,3	9,3	0,8
A305-065	65X73,8X6,3	65	73,8	66,5	6,3	9,3	0,8
A305-070	70X82,2X8,1	70	82,2	72	8,1	12,1	1
A305-075	75X87,2X8,1	75	87,2	77	8,1	12,1	1
A305-080	80X92,2X8,1	80	92,2	82	8,1	12,1	1
A305-085	85X97,2X8,1	85	97,2	87	8,1	12,1	1
A305-090	90X102,2X8,1	90	102,2	92	8,1	12,1	1
A305-100	100X112,2X8,1	100	112,2	102	8,1	12,1	1
A305-105	105X117,2X8,1	105	117,2	107	8,1	12,1	1
A305-110	110X122,2X8,1	110	122,2	112	8,1	12,1	1
A305-115	115X127,2X8,1	115	127,2	117	8,1	12,1	1
A305-120	120X132,2X8,1	120	132,2	122	8,1	12,1	1
A305-125	125X137,2X8,1	125	137,2	127	8,1	12,1	1
A305-130	130X142,2X8,1	130	142,2	132	8,1	12,1	1
A305-135	135X147,2X8,1	135	147,2	137	8,1	12,1	1
A305-140	140X156X9,5	140	156	142,5	9,5	14,5	1,5
A305-150	150X166X9,5	150	166	152,5	9,5	14,5	1,5
A305-160	160X176X9,5	160	176	162,5	9,5	14,5	1,5
A305-165	165X181X9,5	165	181	167,5	9,5	14,5	1,5
A305-170	170X186X9,5	170	186	172,5	9,5	14,5	1,5
A305-180	180X196X9,5	180	196	182,5	9,5	14,5	1,5
A305-190	190X206X9,5	190	206	192,5	9,5	14,5	1,5
A305-200	200X216X9,5	200	216	202,5	9,5	14,5	1,5
A305-220	220X236X9,5	220	236	222,5	9,5	14,5	1,5
A305-240	240X256X9,5	240	256	242,5	9,5	14,5	1,5
A305-250	250X266X9,5	250	266	252,5	9,5	14,5	1,5
A305-260	260X276X9,5	260	276	262,5	9,5	14,5	1,5
A305-270	270X286X9,5	270	286	272,5	9,5	14,5	1,5

A305





ALP 码 - Code	尺寸- Dimension	$\varnothing d$	$\varnothing D$	$\varnothing D 1$	B	B 1	R 1
A305-280	280X296X9,5	280	296	282,5	9,5	14,5	1,5
A305-300	300X316X9,5	300	316	302,5	9,5	14,5	1,5
A305-320	320X336X9,5	320	336	322,5	9,5	14,5	1,5
A305-330	330X346X9,5	330	346	332,5	9,5	14,5	1,5
A305-360	360X376X9,5	360	376	362,5	9,5	14,5	1,5
A305-380	380X396X9,5	380	396	382,5	9,5	14,5	1,5
A305-400	400X424X14	400	424	402,5	14	19	2
A305-440	440X464X14	440	464	442,5	14	19	2
A305-450	450X474X14	450	474	452,5	14	19	2
A305-480	480X504X14	480	504	482,5	14	19	2
A305-500	500X524X14	500	524	502,5	14	19	2
A305-560	560X584X14	560	584	562,5	14	19	2
A305-600	600X624X14	600	624	602,5	14	19	2
A305-650	650X677,3X16	650	677,3	652,5	16	21	2
A305-680	680X707,3X16	680	707,3	682,5	16	21	2
A305-700	700X727,3X16	700	727,3	702,5	16	21	2
A305-770	770X797,3X16	770	797,3	772,5	16	21	2
A305-785	785X812,3X16	785	812,3	787,5	16	21	2
A305-800	800X827,3X16	800	827,3	802,5	16	21	2
A305-810	810X837,3X16	810	837,3	812,5	16	21	2
A305-900	900X927,3X16	900	927,3	902,5	16	21	2
A305-950	950X977,3X16	950	977,3	952,5	16	21	2
A305-1000	1000X1027,3X16	1000	1027,3	1002,5	16	21	2
A305-1040	1040X1067,3X16	1040	1067,3	1042,5	16	21	2
A305-1130	1130X1157,3X16	1130	1157,3	1132,5	16	21	2

A305



A306

A306活塞密封件专为使用两种不同介质的特殊情况而设计。A306 活塞密封件, 也可使用其他基于PTFE和O型圈, 以提高静态密封性能。为防止动态密封过程中油膜过厚, 该介质分离密封件由一个X型环组成, 该X型环位于密封件的外表面。

A306 piston seals are designed for special cases which two different media is used. Like other PTFE based seals, A306 is also used with an energizing O-ring which increases static sealing performance. To prevent excessive oil film thickness during dynamic sealing, this media separation seal consists of a X-ring on the outer surface of the seal.

技术参数 / TECHNICAL DATA

工作压力 / Working Pressure	400 Bar
工作温度 / Working Temperature	-30 +105°C
滑动速度 / Sliding Speed	2 m/sn
材料 / Material	PTFE + 青铜 + 70 NBR
介质 / Media	矿物基液压油 / Mineral Base Hydraulic Oil

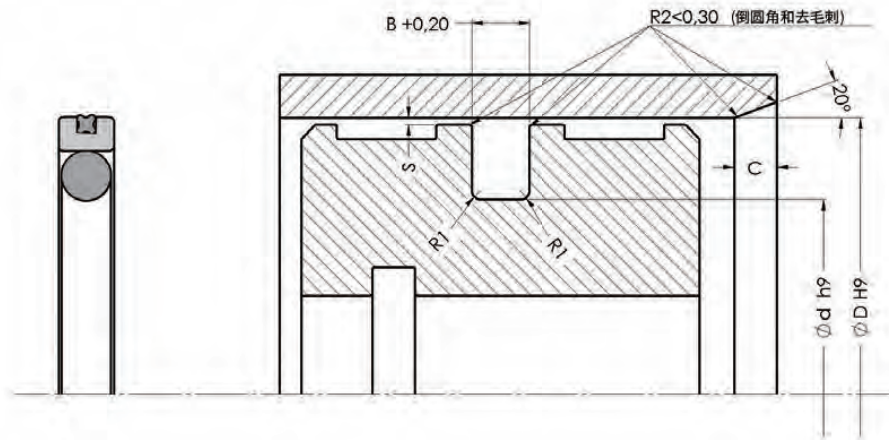
表面粗糙度 / Surface Roughness

	Ra	Rmax
动态表面 / Dynamic Surface	≤0.2 μm	≤2 μm
槽底部 / Groove Base	≤1.6 μm	≤6.3 μm
槽侧面 / Groove Flanks	≤3.2 μm	≤15 μm

材料最大允许间隙 / Permissible Gap (s max.)

外壳长度 / Housing Length (B)	压力值 (巴) / Pressure (bar)		
	150	250	400
2.20	0.30	0.20	0.15
3.20	0.40	0.25	0.15
4.20	0.40	0.25	0.20
6.30	0.50	0.30	0.20
8,10	0.60	0.35	0.25
9,50	0.70	0.50	0.30

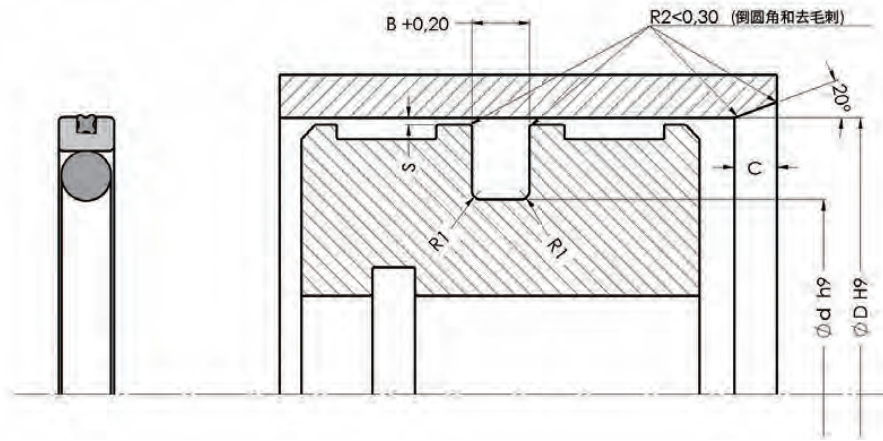




ALP 码 - Code	尺寸 - Dimension	ØD	Ød	B	R1	C
A306 016-005	16X5X4,2	16	5	4,2	1	6
A306 018-007	18X7X4,2	18	7	4,2	1	6
A306 020-009	20X9X4,2	20	9	4,2	1	6
A306 022-011	22X11X4,2	22	11	4,2	1	6
A306 025-014	25X14X4,2	25	14	4,2	1	6
A306 028-017	28X17X4,2	28	17	4,2	1	6
A306 030-019	30X19X4,2	30	19	4,2	1	6
A306 032-021	32X21X4,2	32	21	4,2	1	6
A306 035-024	35X24X4,2	35	24	4,2	1	6
A306 040-029	40X29X4,2	40	29	4,2	1	6
A306 042-031	42X31X4,2	42	31	4,2	1	6
A306 045-034	45X34X4,2	45	34	4,2	1	6
A306 048-037	48X37X4,2	48	37	4,2	1	6
A306 050-034,5	50X34,5X6,3	50	34,5	6,3	1,3	8
A306 050-039	50X39X4,2	50	39	4,2	1	6
A306 052-041	52X41X4,2	52	41	4,2	1	6
A306 055-044	55X44X4,2	55	44	4,2	1	6
A306 060-049	60X49X4,2	60	49	4,2	1	6
A306 063-047,5	63X47,5X6,3	63	47,5	6,3	1,3	8
A306 063-052	63X52X4,2	63	52	4,2	1	6
A306 065-054	65X54X4,2	65	54	4,2	1	6
A306 070-054,5	70X54,5X6,3	70	54,5	6,3	1,3	8
A306 070-059	70X59X4,2	70	59	4,2	1	6
A306 075-064	75X64X4,2	75	64	4,2	1	6
A306 080-059	80X59X8,1	80	59	8,1	1,8	10,5
A306 080-064,5	80X64,5X6,3	80	64,5	6,3	1,3	8
A306 085-064	85X64X8,1	85	64	8,1	1,8	10,5
A306 085-069,5	85X69,5X6,3	85	69,5	6,3	1,3	8
A306 090-069	90X69X8,1	90	69	8,1	1,8	10,5
A306 090-074,5	90X74,5X6,3	90	74,5	6,3	1,3	8
A306 095-074	95X74X8,1	95	74	8,1	1,8	10,5
A306 095-079,5	95X79,5X6,3	95	79,5	6,3	1,3	8
A306 100-079	100X79X8,1	100	79	8,1	1,8	10,5
A306 100-084,5	100X84,5X6,3	100	84,5	6,3	1,3	8
A306 105-084	105X84X8,1	105	84	8,1	1,8	10,5
A306 105-089,5	105X89,5X6,3	105	89,5	6,3	1,3	8
A306 110-089	110X89X8,1	110	89	8,1	1,8	10,5
A306 110-094,5	110X94,5X6,3	110	94,5	6,3	1,3	8
A306 115-094	115X94X8,1	115	94	8,1	1,8	10,5

A306





ALP 码 - Code	尺寸 - Dimension	ØD	Ød	B	R1	C
A306 115-099,5	115X99,5X6,3	115	99,5	6,3	1,3	8
A306 120-99	120X99X8,1	120	99	8,1	1,8	10,5
A306 120-104,5	120X104,5X6,3	120	104,5	6,3	1,3	8
A306 125-104	125X104X8,1	125	104	8,1	1,8	10,5
A306 125-109,5	125X109,5X6,3	125	109,5	6,3	1,3	8
A306 130-109	130X109X8,1	130	109	8,1	1,8	10,5
A306 130-114,5	130X114,5X6,3	130	114,5	6,3	1,3	8
A306 135-114	135X114X8,1	135	114	8,1	1,8	10,5
A306 140-119	140X119X8,1	140	119	8,1	1,8	10,5
A306 150-129	150X129X8,1	150	129	8,1	1,8	10,5
A306 160-139	160X139X8,1	160	139	8,1	1,8	10,5
A306 170-149	170X149X8,1	170	149	8,1	1,8	10,5
A306 180-159	180X159X8,1	180	159	8,1	1,8	10,5
A306 190-169	190X169X8,1	190	169	8,1	1,8	10,5
A306 200-179	200X179X8,1	200	179	8,1	1,8	10,5
A306 210-189	210X189X8,1	210	189	8,1	1,8	10,5
A306 220-199	220X199X8,1	220	199	8,1	1,8	10,5
A306 230-209	230X209X8,1	230	209	8,1	1,8	10,5
A306 240-219	240X219X8,1	240	219	8,1	1,8	10,5
A306 250-225,5	250X225,5X8,1	250	225,5	8,1	1,8	10,5
A306 250-229	250X229X8,1	250	229	8,1	1,8	10,5
A306 280-252	280X252X9,5	280	252	9,5	2,5	12
A306 300-272	300X272X9,5	300	272	9,5	2,5	12
A306 310-282	310X282X9,5	310	282	9,5	2,5	12
A306 320-292	320X292X9,5	320	292	9,5	2,5	12
A306 350-322	350X322X9,5	350	322	9,5	2,5	12
A306 400-372	400X372X9,5	400	372	9,5	2,5	12
A306 420-392	420X392X9,5	420	392	9,5	2,5	12
A306 450-422	450X422X9,5	450	422	9,5	2,5	12
A306 480-445	480X445X11,5	480	445	11,5	3	12
A306 500-465	500X465X11,5	500	465	11,5	3	12
A306 600-565	600X565X11,5	600	565	11,5	3	12
A306 700-665	700X665X11,5	700	665	11,5	3	12

A306



A307

A307旋转杆密封件是由PTFE和橡胶O型圈组合在一起使用。这种PTFE是特殊聚四氟乙烯化合物和青铜填料经过机械加工混合在一起，而O型圈作为蓄能环依靠橡胶弹性使PTFE密封环能紧密的合于密封面上。此种密封被设计用于在高压下的情形当中，具有良好的密封特性。

由于PTFE材料低摩擦力这一基本特性，A307可以在高速滑动下安全使用。同时，A307组合密封可以通过改变O型圈材料，从而适用于除矿物油外的其它不同类型的液压油。

A307 rotary piston seals are produced from special compound of bronze-filled PTFE by machining technique combined with O-ring that is used as an energizing ring. They are designed to provide imperviousness under high pressure.

They are suitable for high sliding speeds due to the low friction force which is among one of the essential properties of PTFE material. Moreover, they can be used for different type of oils except mineral oils by changing O-ring material.

技术参数 / TECHNICAL DATA

工作压力 / Working Pressure	300 Bar
工作温度 / Working Temperature	-30 +105°C
滑动速度 / Sliding Speed	5 m/sn
材料 / Material	PTFE + 青铜 + 70 NBR
介质 / Media	矿物基液压油 / Mineral Base Hydraulic Oil

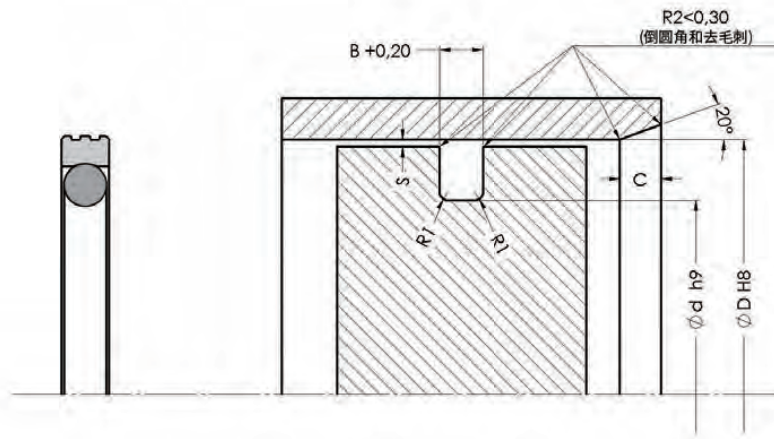
表面粗糙度 / Surface Roughness

	Ra	Rmax
动态表面 / Dynamic Surface	≤0.2 μm	≤2 μm
槽底部 / Groove Base	≤1.6 μm	≤6.3 μm
槽侧面 / Groove Flanks	≤3.2 μm	≤16 μm

材料最大许允间隙 / Permissible Gap (max.)

外壳长度 / Housing Length (B)	压力值 (巴) / Pressure (bar)		
	100	200	300
2.2	0.15	0.10	0.075
3.2	0.20	0.15	0.10
4.2	0.20	0.15	0.10
6.3	0.30	0.20	0.15
8.1	0.30	0.20	0.15

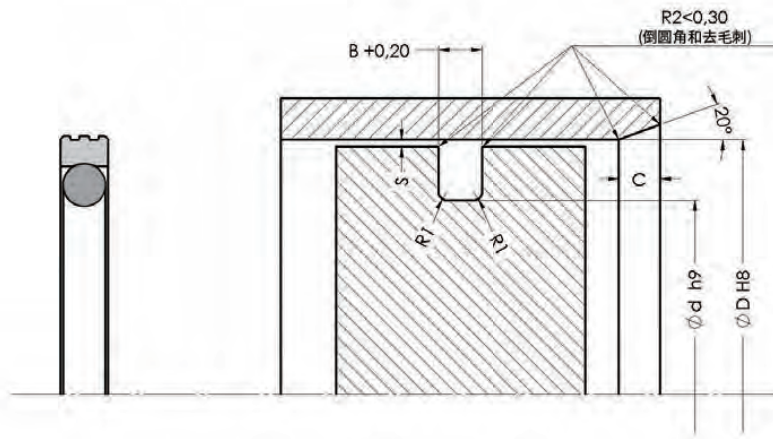




ALP 码 - Code	尺寸 - Dimension	ØD	Ød	B	C	R1
A307-015	15X10,1X2,2	15	10,1	2,2	2	0,4
A307-020	20X15,1X2,2	20	15,1	2,2	2	0,4
A307-025	25X20,1X2,2	25	20,1	2,2	2	0,4
A307-030	30X25,1X2,2	30	25,1	2,2	2	0,4
A307-032	32X27,1X2,2	32	27,1	2,2	2	0,4
A307-035	35X30,1X2,2	35	30,1	2,2	2	0,4
A307-040	40X32,5X3,2	40	32,5	3,2	2,5	0,6
A307-045	45X37,5X3,2	45	37,5	3,2	2,5	0,6
A307-050	50X42,5X3,2	50	42,5	3,2	2,5	0,6
A307-055	55X47,5X3,2	55	47,5	3,2	2,5	0,6
A307-060	60X52,5X3,2	60	52,5	3,2	2,5	0,6
A307-063	63X55,5X3,2	63	55,5	3,2	2,5	0,6
A307-065	65X57,5X3,2	65	57,5	3,2	2,5	0,6
A307-070	70X62,5X3,2	70	62,5	3,2	2,5	0,6
A307-075	75X67,5X3,2	75	67,5	3,2	2,5	0,6
A307-080	80X69X4,2	80	69	4,2	3,5	0,8
A307-085	85X74X4,2	85	74	4,2	3,5	0,8
A307-090	90X79X4,2	90	79	4,2	3,5	0,8
A307-095	95X84X4,2	95	84	4,2	3,5	0,8
A307-100	100X89X4,2	100	89	4,2	3,5	0,8
A307-105	105X94X4,2	105	94	4,2	3,5	0,8
A307-110	110X99X4,2	110	99	4,2	3,5	0,8
A307-115	115X104X4,2	115	104	4,2	3,5	0,8
A307-120	120X109X4,2	120	109	4,2	3,5	0,8
A307-125	125X114X4,2	125	114	4,2	3,5	0,8
A307-130	130X119X4,2	130	119	4,2	3,5	0,8
A307-135	135X119,5X6,3	135	119,5	6,3	5	1,2
A307-135/1	135X124X4,2	135	124	4,2	3,5	0,8
A307-140	140X124,5X6,3	140	124,5	6,3	5	1,2
A307-145	145X134X4,2	145	134	4,2	3,5	0,8
A307-150	150X134,5X6,3	150	134,5	6,3	5	1,2
A307-160	160X144,5X6,3	160	144,5	6,3	5	1,2
A307-170	170X154,5X6,3	170	154,5	6,3	5	1,2
A307-180	180X164,5X6,3	180	164,5	6,3	5	1,2
A307-190	190X174,5X6,3	190	174,5	6,3	5	1,2
A307-200	200X184,5X6,3	200	184,5	6,3	5	1,2
A307-210	210X194,5X6,3	210	194,5	6,3	5	1,2
A307-220	220X204,5X6,3	220	204,5	6,3	5	1,2
A307-230	230X214,5X6,3	230	214,5	6,3	5	1,2

A307





ALP 码 - Code	尺寸 - Dimension	ØD	Ød	B	C	R1
A307-240	240X224,5X6,3	240	224,5	6,3	5	1,2
A307-250	250X234,5X6,3	250	234,5	6,3	5	1,2
A307-260	260X244,5X6,3	260	244,5	6,3	5	1,2
A307-280	280X264,5X6,3	280	264,5	6,3	5	1,2
A307-300	300X284,5X6,3	300	284,5	6,3	5	1,2

A307





A311

A311杆密封圈,是由PTFE和橡胶O型圈组合在一起使用。这种PTFE是特殊聚四氟乙烯化合物和青铜填料经过机械加工混合在一起组成。

由于PTFE材料低摩擦力这一基本特性, A311可以在高速滑动下安全使用。同时, A311组合密封可以通过改变O型圈材料, 从而适用于除矿物油外的其它不同类型的液压油。

A311 rod seals are composed of a special compound of bronze-filled PTFE by machining technique combined with O-ring that is used as an energizing ring.

They are suitable for high sliding speeds due to the the low friction force which is among one of the essential properties of PTFE material. Moreover, they can be used for different type of oils except mineral oils by changing O-ring material.

技术参数 / TECHNICAL DATA

工作压力 / Working Pressure	400 Bar
工作温度 / Working Temperature	-30 +105°C
滑动速度 / Sliding Speed	5 m/sn
材料 / Material	PTFE + 青铜 + 70 NBR
介质 / Media	矿物基液压油 / Mineral Base Hydraulic Oil

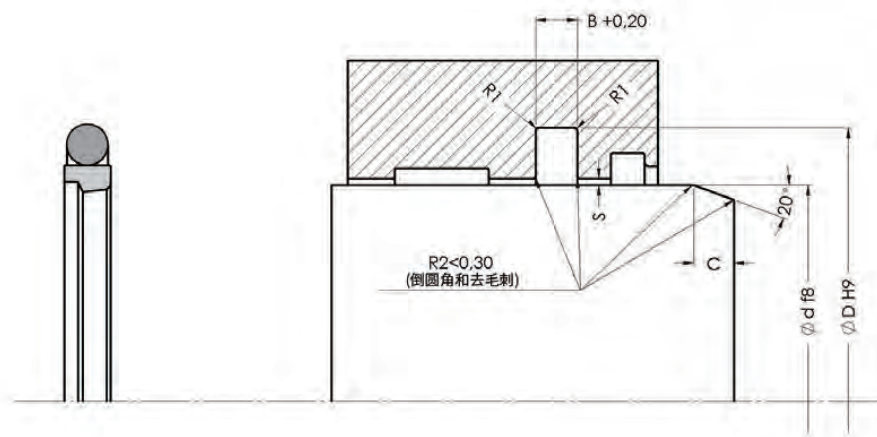
表面粗糙度 / Surface Roughness

	Ra	Rmax
动态表面 / Dynamic Surface	≤0.2 μm	≤2 μm
槽底部 / Groove Base	≤1.6 μm	≤6.3 μm
槽侧面 / Groove Flanks	≤3.2 μm	≤15 μm

材料最大允许间隙 / Permissible Gap (max.)

外壳长度 / Housing Length (B)	压力值 (巴) / Pressure (bar)		
	150	250	400
2.2	0.25	0.15	0.10
3.2	0.35	0.20	0.10
4.2	0.35	0.20	0.15
6.3	0.45	0.25	0.15
8.1	0.55	0.30	0.20

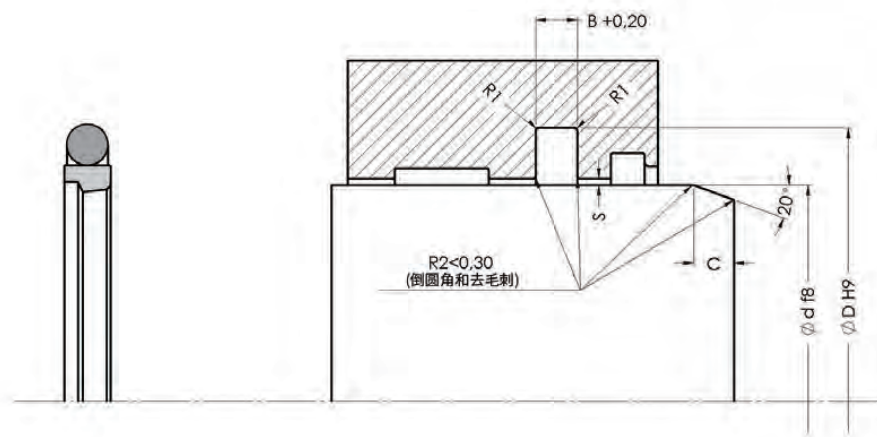




ALP 码 - Code	尺寸 - Dimension	Ød	ØD	B	R1	C
A311-008	8X12,9X2,2	8	12,9	2,2	0,4	2
A311-009	9X16,3X3,2	9	16,3	3,2	0,6	3
A311-010	10X14,9X2,2	10	14,9	2,2	0,4	2
A311-010/1	10X17,3X3,2	10	17,3	3,2	0,6	3
A311-012/1	12X16,9X2,2	12	16,9	2,2	0,4	2
A311-012	12X19,3X3,2	12	19,3	3,2	0,6	3
A311-014/1	14X18,9X2,2	14	18,9	2,2	0,4	2
A311-014	14X21,3X3,2	14	21,3	3,2	0,6	3
A311-016	16X23,3X3,2	16	23,3	3,2	0,6	3
A311-018/1	18X22,9X2,2	18	22,9	2,2	0,4	2
A311-018	18X25,3X3,2	18	25,3	3,2	0,6	3
A311-020/1	20X27,3X3,2	20	27,3	3,2	0,6	3
A311-020	20X30,7X4,2	20	30,7	4,2	1	3,5
A311-022/2	22X29,3X3,2	22	29,3	3,2	0,6	3
A311-022/1	22X29,5X3,2	22	29,5	3,2	0,6	3
A311-022	22X32,7X4,2	22	32,7	4,2	1	3,5
A311-025/1	25X32,3X3,2	25	32,3	3,2	0,6	3
A311-025	25X35,7X4,2	25	35,7	4,2	1	3,5
A311-025,4/1	25,4X32,7X3,2	25,4	32,7	3,2	0,6	3
A311-025,4	25,4X32,9X3,2	25,4	32,9	3,2	0,6	3
A311-028/1	28X35,3X3,2	28	35,3	3,2	0,6	3
A311-028/3	28X35,3X4,2	28	35,3	4,2	1	3,5
A311-028/2	28X35,5X3,2	28	35,5	3,2	0,6	3
A311-028	28X38,7X4,2	28	38,7	4,2	1	3,5
A311-030/1	30X37,3X3,2	30	37,3	3,2	0,6	3
A311-030	30X40,7X4,2	30	40,7	4,2	1	3,5
A311-032/1	32X39,3X3,2	32	39,3	3,2	0,6	3
A311-032/2	32X39,5X3,2	32	39,5	3,2	0,6	3
A311-032	32X42,7X4,2	32	42,7	4,2	1	3,5
A311-035/1	35X42,3X3,2	35	42,3	3,2	0,6	3
A311-035	35X45,7X4,2	35	45,7	4,2	1	3,5
A311-036/1	36X43,3X3,2	36	43,3	3,2	0,6	3
A311-036/2	36X43,5X3,2	36	43,5	3,2	0,6	3
A311-036	36X46,7X4,2	36	46,7	4,2	1	3,5
A311-037	37X47,7X4,2	37	47,7	4,2	1	3,5
A311-038	38X48,7X4,2	38	48,7	4,2	1	3,5
A311-040/1	40X50,7X4,2	40	50,7	4,2	1	3,5
A311-040/2	40X51X4,2	40	51	4,2	1	3,5
A311-040	40X55,1X6,3	40	55,1	6,3	1,3	5,5

A311





ALP 码 - Code	尺寸 - Dimension	Ød	ØD	B	R1	C
A311-041	41X51,7X4,2	41	51,7	4,2	1	3,5
A311-042	42X52,7X4,2	42	52,7	4,2	1	3,5
A311-044,5/1	44,5X55,2X4,2	44,5	55,2	4,2	1	3,5
A311-044,5	44,5X55,5X4,2	44,5	55,5	4,2	1	3,5
A311-045/1	45X55,7X4,2	45	55,7	4,2	1	3,5
A311-045/2	45X56X4,2	45	56	4,2	1	3,5
A311-045	45X60,1X6,3	45	60,1	6,3	1,3	5,5
A311-048/1	48X58,7X4,2	48	58,7	4,2	1	3,5
A311-048	48X63,1X6,3	48	63,1	6,3	1,3	5,5
A311-050/1	50X60,7X4,2	50	60,7	4,2	1	3,5
A311-050/2	50X65,1X6,3	50	65,1	6,3	1,3	5,5
A311-050	50X65,5X6,3	50	65,5	6,3	1,3	5,5
A311-052	52X62,7X4,2	52	62,7	4,2	1	3,5
A311-052/1	52X67,1X6,3	52	67,1	6,3	1,3	5,5
A311-055	55X70,1X6,3	55	70,1	6,3	1,3	5,5
A311-056/1	56X66,7X4,2	56	66,7	4,2	1	3,5
A311-056	56X71,1X6,3	56	71,1	6,3	1,3	5,5
A311-056/3	56X71,5X6,3	56	71,5	6,3	1,3	5,5
A311-060/1	60X70,7X4,2	60	70,7	4,2	1	3,5
A311-060	60X75,1X6,3	60	75,1	6,3	1,3	5,5
A311-063/1	63X73,7X4,2	63	73,7	4,2	1	3,5
A311-063/2	63X74X4,2	63	74	4,2	1	3,5
A311-063	63X78,1X6,3	63	78,1	6,3	1,3	5,5
A311-065/1	65X75,7X4,2	65	75,7	4,2	1	3,5
A311-065	65X80,1X6,3	65	80,1	6,3	1,3	5,5
A311-067	67X82,1X6,3	67	82,1	6,3	1,3	5,5
A311-070/1	70X80,7X4,2	70	80,7	4,2	1	3,5
A311-070/2	70X81X4,2	70	81	4,2	1	3,5
A311-070	70X85,1X6,3	70	85,1	6,3	1,3	5,5
A311-073	73X88,1X6,3	73	88,1	6,3	1,3	5,5
A311-075	75X90,1X6,3	75	90,1	6,3	1,3	5,5
A311-080/2	80X90,7X4,2	80	90,7	4,2	1	3,5
A311-080	80X95,1X6,3	80	95,1	6,3	1,3	5,5
A311-080/1	80X95,5X6,3	80	95,5	6,3	1,3	5,5
A311-085	85X100,1X6,3	85	100,1	6,3	1,3	6
A311-088,9	88,9X104,4X6,3	88,9	104,4	6,3	1,3	6
A311-090/1	90X100,7X4,2	90	100,7	4,2	1	3,5
A311-090	90X105,1X6,3	90	105,1	6,3	1,3	6
A311-090/2	90X105,5X6,3	90	105,5	6,3	1,3	6

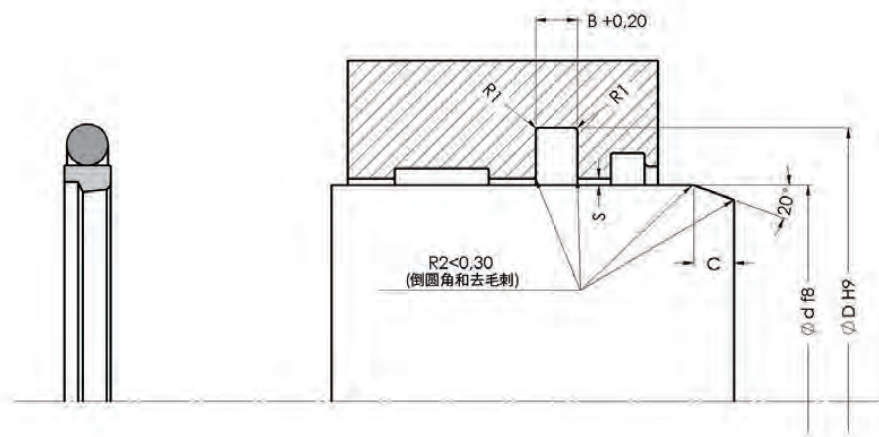
A311



ALP 码 - Code	尺寸 - Dimension	Ød	ØD	B	R1	C
A311-095	95X110,1X6,3	95	110,1	6,3	1,3	6
A311-095/1	95X115,1X8,1	95	115,1	8,1	1,8	7,5
A311-100	100X115,1X6,3	100	115,1	6,3	1,3	6
A311-100/1	100X115,5X6,3	100	115,5	6,3	1,3	6
A311-100/2	100X120X8,1	100	120	8,1	1,8	7,5
A311-101,6	101,1X116,7X6,3	101,1	116,7	6,3	1,3	6
A311-105/1	105X120,1X6,3	105	120,1	6,3	1,3	6
A311-105	105X125,5X8,1	105	125,5	8,1	1,8	7,5
A311-110/2	110X120,7X4,2	110	120,7	4,2	1	3,5
A311-110	110X125,1X6,3	110	125,1	6,3	1,3	6
A311-110/1	110X130,5X8,1	110	130,5	8,1	1,8	7,5
A311-115	115X130,1X6,3	115	130,1	6,3	1,3	6
A311-118	118X133,1X6,3	118	133,1	6,3	1,3	6
A311-120	120X135,1X6,3	120	135,1	6,3	1,3	6
A311-125	125X140,1X6,3	125	140,1	6,3	1,3	6
A311-125/2	125X140,5X6,3	125	140,5	6,3	1,3	6
A311-125/1	125X145,5X8,1	125	145,5	8,1	1,8	7,5
A311-127	127X137,7X4,2	127	137,7	4,2	1	3,5
A311-127/1	127X142,1X6,3	127	142,1	6,3	1,3	6
A311-130	130X145,1X6,3	130	145,1	6,3	1,3	6
A311-130/1	130X150,5X8,1	130	150,5	8,1	1,8	7,5
A311-135	135X150,1X6,3	135	150,1	6,3	1,3	6
A311-138	138X153,1X6,3	138	153,1	6,3	1,3	6
A311-139,7	139,7X154,8X6,3	139,7	154,8	6,3	1,3	6
A311-140/1	140X150,7X4,2	140	150,7	4,2	1	3,5
A311-140	140X155,1X6,3	140	155,1	6,3	1,3	6
A311-140/2	140X155,5X6,3	140	155,5	6,3	1,3	6
A311-145	145X160,1X6,3	145	160,1	6,3	1,3	6
A311-150	150X165,1X6,3	150	165,1	6,3	1,3	6
A311-155	155X170,1X6,3	155	170,1	6,3	1,3	6
A311-155/1	155X170,5X6,3	155	170,5	6,3	1,3	6
A311-160	160X175,1X6,3	160	175,1	6,3	1,3	6
A311-160/1	160X175,5X6,3	160	175,5	6,3	1,3	6
A311-165	165X180,1X6,3	165	180,1	6,3	1,3	6
A311-170	170X185,1X6,3	170	185,1	6,3	1,3	6
A311-170/1	170X190,5X8,1	170	190,5	8,1	1,8	7,5
A311-172/1	172X192,5X8,1	172	192,5	8,1	1,8	7,5
A311-175	175X190,1X6,3	175	190,1	6,3	1,3	6
A311-177,8	177,8X193,3X6,3	177,8	193,3	6,3	1,3	6
A311-180	180X195,1X6,3	180	195,1	6,3	1,3	6
A311-180/1	180X195,5X6,3	180	195,5	6,3	1,3	6
A311-180/2	180X200,5X8,1	180	200,5	8,1	1,8	7,5
A311-185	185X200,1X6,3	185	200,1	6,3	1,3	6
A311-190	190X205,1X6,3	190	205,1	6,3	1,3	6
A311-192	192X207,1X6,3	192	207,1	6,3	1,3	6
A311-195	195X210,1X6,3	195	210,1	6,3	1,3	6
A311-200	200X220,5X8,1	200	220,5	8,1	1,8	7,5
A311-200/1	200X221X8,1	200	221	8,1	1,8	7,5
A311-205	205X225,5X8,1	205	225,5	8,1	1,8	7,5
A311-210	210X230,5X8,1	210	230,5	8,1	1,8	7,5
A311-215	215X235,5X8,1	215	235,5	8,1	1,8	7,5
A311-215/1	215,9X236,4X8,1	215,9	236,4	8,1	1,8	7,5
A311-220	220X240,5X8,1	220	240,5	8,1	1,8	7,5
A311-220/1	220X241X8,1	220	241	8,1	1,8	7,5

A311





ALP 码 - Code	尺寸 - Dimension	Ød	ØD	B	R1	C
A311-225	225X245,5X8,1	225	245,5	8,1	1,8	7,5
A311-230	230X250,5X8,1	230	250,5	8,1	1,8	7,5
A311-235	235X255,5X8,1	235	255,5	8,1	1,8	7,5
A311-240	240X260,5X8,1	240	260,5	8,1	1,8	7,5
A311-245	245X265,5X8,1	245	265,5	8,1	1,8	7,5
A311-250	250X270,5X8,1	250	270,5	8,1	1,8	7,5
A311-260	260X284X8,1	260	284	8,1	1,8	8
A311-270	270X290,5X8,1	270	290,5	8,1	1,8	8
A311-275	275X299X8,1	275	299	8,1	1,8	8
A311-280/1	280X301X8,1	280	301	8,1	1,8	8
A311-280	280X304X8,1	280	304	8,1	1,8	8
A311-285	285X309X8,1	285	309	8,1	1,8	8
A311-290	290X314X8,1	290	314	8,1	1,8	8
A311-295	295X319X8,1	295	319	8,1	1,8	8
A311-300/1	300X320,5X8,1	300	320,5	8,1	1,8	8
A311-300	300X324X8,1	300	324	8,1	1,8	8
A311-310	310X334X8,1	310	334	8,1	1,8	8
A311-320	320X344X8,1	320	344	8,1	1,8	8
A311-330	330X354X8,1	330	354	8,1	1,8	8
A311-340	340X364X8,1	340	364	8,1	1,8	8
A311-345	345X369X8,1	345	369	8,1	1,8	8
A311-360	360X384X8,1	360	384	8,1	1,8	8
A311-370	370X394X8,1	370	394	8,1	1,8	8
A311-380	380X404X8,1	380	404	8,1	1,8	8
A311-390	390X414X8,1	390	414	8,1	1,8	8
A311-400	400X424X8,1	400	424	8,1	1,8	8
A311-420	420X444X8,1	420	444	8,1	1,8	8
A311-430	430X454X8,1	430	454	8,1	1,8	8
A311-450	450X474X8,1	450	474	8,1	1,8	8
A311-460	460X484X8,1	460	484	8,1	1,8	8
A311-490	490X514X8,1	490	514	8,1	1,8	8
A311-500	500X524X8,1	500	524	8,1	1,8	8
A311-510	510X534X8,1	510	534	8,1	1,8	8
A311-570	570X594X8,1	570	594	8,1	1,8	8
A311-600	600X624X8,1	600	624	8,1	2	8
A311-610	610X634X8,1	610	634	8,1	2	8
A311-620	620X644X8,1	620	644	8,1	2	8
A311-630	630X654X8,1	630	654	8,1	2	8
A311-640	640X664X8,1	640	664	8,1	2	8

A311

ALP 码 - Code	尺寸 - Dimension	Ød	ØD	B	R1	C
A311-650	650X677,3X9,5	650	677,3	9,5	2	11
A311-656	656X683,3X9,5	656	683,3	9,5	2	11
A311-660	660X687,3X9,5	660	687,3	9,5	2	11
A311-670	670X697,3X9,5	670	697,3	9,5	2	11
A311-680	680X707,3X9,5	680	707,3	9,5	2	11
A311-685	685X712,3X9,5	685	712,3	9,5	2	11
A311-690	690X717,3X9,5	690	717,3	9,5	2	11
A311-700	700X724X8,1	700	724	8,1	2	11
A311-700/1	700X727,3X9,5	700	727,3	9,5	2	11
A311-710	710X737,3X9,5	710	737,3	9,5	2	11
A311-720	720X747,3X9,5	720	747,3	9,5	2	11
A311-730	730X757,3X9,5	730	757,3	9,5	2	11
A311-740	740X767,3X9,5	740	767,3	9,5	2	11
A311-750	750X777,3X9,5	750	777,3	9,5	2	11
A311-760	760X787,3X9,5	760	787,3	9,5	2	11
A311-765	765X792,3X9,5	765	792,3	9,5	2	11
A311-770	770X797,3X9,5	770	797,3	9,5	2	11
A311-780	780X807,3X9,5	780	807,3	9,5	2	11
A311-790	790X817,3X9,5	790	817,3	9,5	2	11
A311-800	800X827,3X9,5	800	827,3	9,5	2	11
A311-810	810X837,3X9,5	810	837,3	9,5	2	11
A311-820	820X847,3X9,5	820	847,3	9,5	2	11
A311-830	830X857,3X9,5	830	857,3	9,5	2	11
A311-840	840X867,3X9,5	840	867,3	9,5	2	11
A311-850	850X877,3X9,5	850	877,3	9,5	2	11
A311-860	860X887,3X9,5	860	887,3	9,5	2	11
A311-870	870X897,3X9,5	870	897,3	9,5	2	11
A311-880	880X907,3X9,5	880	907,3	9,5	2	11
A311-885	885X912,3X9,5	885	912,3	9,5	2	11
A311-890	890X917,3X9,5	890	917,3	9,5	2	11
A311-900	900X927,3X9,5	900	927,3	9,5	2	11
A311-910	910X937,3X9,5	910	937,3	9,5	2	11
A311-920	920X947,3X9,5	920	947,3	9,5	2	11
A311-930	930X957,3X9,5	930	957,3	9,5	2	11
A311-940	940X967,3X9,5	940	967,3	9,5	2	11
A311-950	950X977,3X9,5	950	977,3	9,5	2	11
A311-955	955X982,3X9,5	955	982,3	9,5	2	11
A311-1000	1000X1027,3X13,8	1000	1027,3	13,8	2	11
A311-1000/1	1000X1038X13,8	1000	1038	13,8	2	11
A311-1035	1035X1062,3X13,8	1035	1062,3	13,8	2	11
A311-1040	1040X1067,3X13,8	1040	1067,3	13,8	2	11
A311-1040/1	1040X1067,3X9,5	1040	1067,3	9,5	2	11
A311-1040/2	1040X1078X13,8	1040	1078	13,8	2	11
A311-1050	1050X1077,3X13,8	1050	1077,3	13,8	2	11
A311-1050/1	1050X1077,3X9,5	1050	1077,3	9,5	2	11
A311-1050/2	1050X1088X13,8	1050	1088	13,8	2	11
A311-1100	1100X1127,3X13,8	1100	1127,3	13,8	2	11
A311-1100/1	1100X1138X13,8	1100	1138	13,8	2	11
A311-1120	1120X1147,3X9,5	1120	1147,3	9,5	2	11
A311-1120/1	1120X1147,3X13,8	1120	1147,3	13,8	2	11
A311-1120/2	1120X1158X13,8	1120	1158	13,8	2	11

A311





A402 法兰密封
Flange Seal



A403 端盖密封
Cover Seal



A404 端盖密封
Cover Seal



A405 静态密封
Static Seal

静态密封元件

Static Sealing Elements





A402

A402 PU法兰密封件是作为在SAE 类型法兰中使用的静密封元件。由于使用特殊的PU材料, 它可在高压环境下安全使用。

A402 PU flange seals that are designed to be used as a static sealing element in SAE type flanges can be used safely under high pressure thanks to the special polyurethane material (PU).

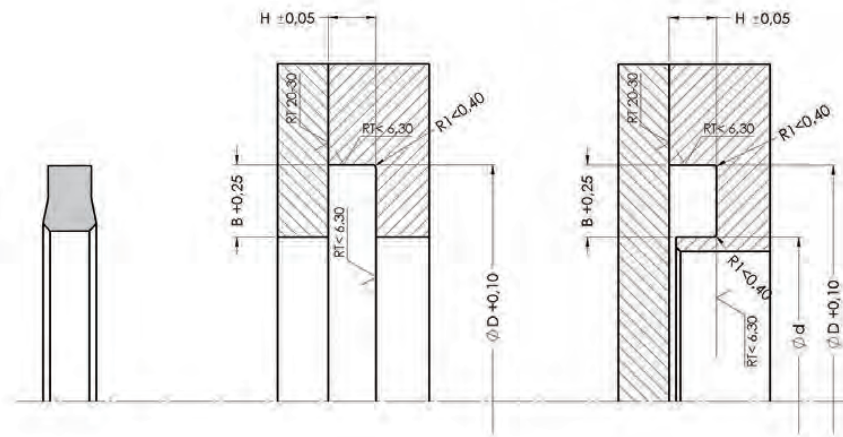
技术参数 / TECHNICAL DATA

工作温度 / Working Temperature	630 Bar
滑动速度 / Sliding Speed	-40 +100°C
材料 / Material	92 PU
介质 / Media	矿物基液压油 / Mineral Base Hydraulic Oil

表面粗糙度 / Surface Roughness

	Ra	Rmax
槽底部 / Groove Base	≤0.4 μm	≤6.3 μm
槽侧面 / Groove Flanks	≤3 μm	≤25 μm





ALP 码 - Code	尺寸 - Dimension	$\varnothing d$	$\varnothing D$	H	B
A402-017	17X25,4X2,85	17	25,4	2,85	4,2
A402-023,40	23,4X31,8X2,85	23,4	31,8	2,85	4,2
A402-026,3	26,3X33,5X2,2	26,3	33,5	2,2	3,6
A402-031,30	31,3X39,7X2,85	31,3	39,7	2,85	4,2
A402-036,10	36,1X44,5X2,85	36,1	44,5	2,85	4,2
A402-036,20	36,2X45X3,3	36,2	45	3,3	4,4
A402-045,40	45,4X53,8X2,85	45,4	53,8	2,85	4,2
A402-055	55X63,4X2,85	55	63,4	2,85	4,2
A402-060,20	60,2X69X3,3	60,2	69	3,3	4,4
A402-066,80	66,8X75X2,85	66,8	75	2,85	4,1
A402-067,8	67,8X76,2X2,85	67,8	76,2	2,85	4,2
A402-074	74X82,4X2,85	74	82,4	2,85	4,2
A402-081,50	81,5X89,9X2,85	81,5	89,9	2,85	4,2
A402-083,55	83,55X91,95X2,85	83,55	91,95	2,85	4,2
A402-085,32	85,32X92,38X2,85	85,32	92,38	2,85	3,53
A402-095	95X103,4X2,85	95	103,4	2,85	4,2
A402-102,10	102,1X110,5X2,85	102,1	110,5	2,85	4,2
A402-109,05	109,05X117,45X2,85	109,05	117,45	2,85	4,2

A402



A403

A403盖密封件由高性能的PU材料制成。可在液压缸中代替橡胶O型圈在静密封状态下安全使用。

A403 cover seals which are produced from high performance PU material, can be used safely in hydraulic cylinders instead of statically-functioning O-rings.

技术参数 / TECHNICAL DATA

工作压力 / Working Pressure	630 Bar
工作温度 / Working Temperature	-35 +110°C
材料 / Material	95 PU
介质 / Media	矿物基液压油 / Mineral Base Hydraulic Oil

表面粗糙度 / Surface Roughness

	Ra	Rmax
动态表面 / Dynamic Surface	≤0.8 μm	≤3.2 μm
槽底部 / Groove Base	≤1.6 μm	≤6.3 μm
槽侧面 / Groove Flanks	≤6.3 μm	≤16 μm





A404

A404盖密封件由高性能的PU材料制成。可在液压缸中代替橡胶O型圈在静密状态下安全使用。

A404 cover seals which are produced from high performance PU material, can be used safely in hydraulic cylinders instead of O-rings which are functioning statically.

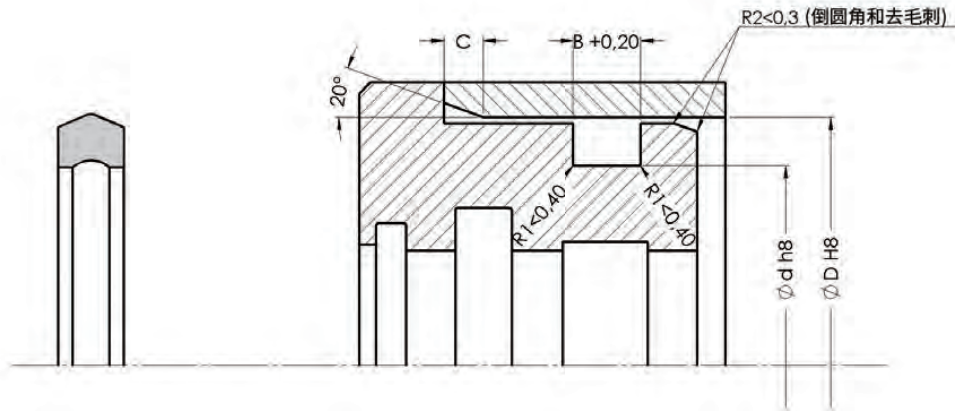
技术参数 / TECHNICAL DATA

工作压力 / Working Pressure	630 Bar
工作温度 / Working Temperature	-35 +110°C
材料 / Material	95 PU
介质 / Media	矿物基液压油 / Mineral Base Hydraulic Oil

表面粗糙度 / Surface Roughness

	Ra	Rmax
动态表面 / Dynamic Surface	≤0.8 μm	≤3.2 μm
槽底部 / Groove Base	≤1.6 μm	≤6.3 μm
槽侧面 / Groove Flanks	≤6.3 μm	≤16 μm

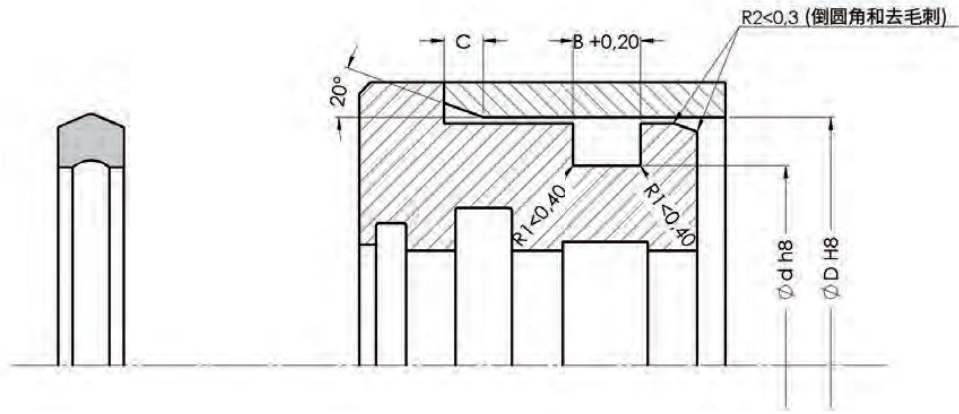




ALP 码 - Code	尺寸 - Dimension	ØD	Ød	B	C
A404-040/1	40X32,8X3,4	40	32,8	3,4	4
A404-040	40X33,5X4,8	40	33,5	4,8	4
A404-041/2	41X34,5X4,8	41	34,5	4,8	4
A404-041	41X37X3,4	41	37	3,4	2
A404-050	50X44,4X6,2	50	44,4	6,2	3
A404-050/2	50X45,4X3,9	50	45,4	3,9	2,5
A404-051/1	51X45,4X6,2	51	45,4	6,2	3
A404-051	51X46,4X3,9	51	46,4	3,9	2,5
A404-060	60X52,2X5,8	60	52,2	5,8	4
A404-060/1	60X53,7X5,2	60	53,7	5,2	4
A404-061	61X55,5X4,5	61	55,5	4,5	3
A404-063/2	63X56,5X4,60	63	56,5	4,6	4
A404-063	63X57,4X6,2	63	57,4	6,2	3
A404-064/1	64X58,4X6,2	64	58,4	6,2	3
A404-064	64X58,5X4,5	64	58,5	4,5	3
A404-065	65X57,2X5,8	65	57,2	5,8	4
A404-070	70X64,4X6,2	70	64,4	6,2	3
A404-071	71X65,5X4,5	71	65,5	4,5	3
A404-075	75X69,6X6,5	75	69,6	6,5	3
A404-080	80X74,5X4,5	80	74,5	4,5	3
A404-081/1	81X75,5X4,5	81	75,5	4,5	3
A404-081/2	81X75,6X6,5	81	75,6	6,5	3
A404-085	85X80,8X5	85	80,8	5	2
A404-090	90X80,1X7,8	90	80,1	7,8	4,5
A404-090/1	90X84,5X4,5	90	84,5	4,5	3
A404-091/1	91X81,1X7,8	91	81,1	7,8	4,5
A404-091	91X85,6X4,5	91	85,6	4,5	3
A404-095/1	95X86,4X9	95	86,4	9	4
A404-095	95,5X87,7X5,8	95,5	87,7	5,8	4
A404-100	100X90X7,8	100	90	7,8	4,5
A404-100/1	100X91,4X9	100	91,4	9	4
A404-101	101X94,7X5,2	101	94,7	5,2	4
A404-105	105X95,1X7,8	105	95,1	7,8	4,5
A404-105/1	105X100,2X3,5	105	100,2	3,5	2,5
A404-110	110X101,4X9	110	101,4	9	4
A404-121	121X115,5X4,5	121	115,5	4,5	3
A404-125	125X116,4X9	125	116,4	9	4
A404-125/1	125X118,7X5,2	125	118,7	5,2	4
A404-140	140X134,1X5,9	140	134,1	5,9	3

A404





ALP 码 - Code	尺寸 - Dimension	ØD	Ød	B	C
A404-150	150X141,9X9,2	150	141,9	9,2	4
A404-160	160X150X8,4	160	150	8,4	4,5
A404-170	170X160X8,4	170	160	8,4	4,5
A404-180	180X170X8,4	180	170	8,4	4,5
A404-190	190X180X8,4	190	180	8,4	4,5
A404-195	195X186,4X9	195	186,4	9	4
A404-200	200X191,4X9	200	191,4	9	4
A404-225	225X216,4X9	225	216,4	9	4

A404



A405

A405静态密封件的设计具有特殊的类似螺母的唇型,可在压盖应用中提供卓越的静态性能。A405密封件可以替代O型圈备用环组合。特殊密封级PU具有极高的抗挤压能力,即使在重载条件下也能提供长寿命。与O型圈不同,它更易于安装且没有扭曲风险。同样,无需使用高达一定压力的支撑环。

注意: A405静态密封可以在 ØDmin 和 ØDmax 值之间安全使用。请活用时按照 Ød 值计算 $\text{Ød}=\text{ØD}-(2\times T)$ 公式。

Our A405 static seals are designed to provide superior static performance in gland applications thanks to special nutring-like lip profile. A405 seals are able to replace O-Ring + back up ring combination. Our special seal grade TPU which has very high extrusion resistance capabilities provides long life even under heavy duty conditions. Unlike O-rings, it is easier to install and free of twisting risk. Also no need to use with a back-up ring up to certain pressures.

Note : A405 static seals can be safely used between ØDmin and ØDmax values. Please calculate your Ød value using formula $\text{Ød}=\text{ØD}-(2\times T)$.

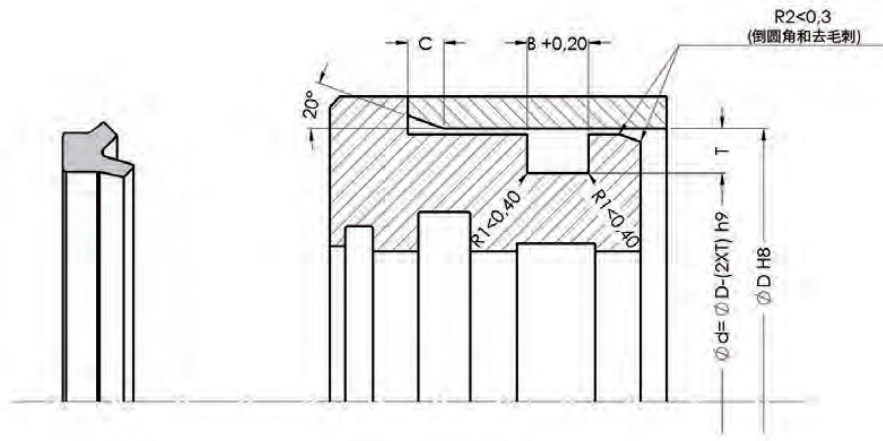
技术参数 / TECHNICAL DATA

工作压力 / Working Pressure	500 Bar
工作温度 / Working Temperature	-40 +100°C
材料 / Material	92 PU
介质 / Media	矿物基液压油 / Mineral Base Hydraulic Oil

表面粗糙度 / Surface Roughness

	Ra	Rmax
动态表面 / Dynamic Surface	$\leq 0.8 \mu\text{m}$	$\leq 3.2 \mu\text{m}$
槽底部 / Groove Base	$\leq 1.6 \mu\text{m}$	$\leq 6.3 \mu\text{m}$
槽侧面 / Groove Flanks	$\leq 6.3 \mu\text{m}$	$\leq 16 \mu\text{m}$





ALP 码 - Code	尺寸 - Dimension	ØD (Min)	ØD (Max)	T	B	C
A405-060	60X54,6X6,2	60	62	2,7	6,2	4,7
A405-063	63X55X8,2	63	65,5	4	8,2	6,6
A405-070	70X62X8,2	70	72,8	4	8,2	6,6
A405-072	72X64X8,2	72	75	4	8,2	6,6
A405-080	80X72X8,2	80	83,2	4	8,2	6,6
A405-090	90X82X8,2	90	93,6	4	8,2	6,6
A405-100	100X92X8,2	100	104	4	8,2	6,6
A405-102	102X94X8,2	102	106	4	8,2	6,6
A405-105	105X97X8,2	105	109,4	4	8,2	6,6
A405-110	110X102X8,2	110	114,4	4	8,2	6,6
A405-115	115X107X8,2	115	124,8	4	8,2	6,6
A405-120	120X112X8,2	120	124,8	4	8,2	6,6
A405-125	125X117X8,2	125	130	4	8,2	6,6
A405-130	130X122X8,2	130	135,2	4	8,2	6,6
A405-140	140X130,7X9,3	140	145,6	4,65	9,3	6,6
A405-160	160X150,7X9,3	160	166,4	4,65	9,3	6,6
A405-175	175X167X8,2	175	182	4	8,2	6,6
A405-180	180X170,7X9,3	180	187,2	4,65	9,3	6,6
A405-200	200X190,7X9,3	200	208	4,65	9,3	6,6

A405



A801 气动活塞密封
Pneumatic Piston Seal



A802 气动活塞密封
Pneumatic Piston Seal



A803 气动活塞密封
*Short Stroke
Pneumatic Piston Seal*



A804 单作用气动活塞密封
*Single Acting
Pneumatic Piston Seal*



A805 气动活塞密封
Pneumatic Piston Seal



A807 气动活塞密封
Pneumatic Piston Seal



A808 气动活塞密封
Pneumatic Piston Seal



A810 气动活塞密封
Pneumatic Piston Seal



A852 气动杆防尘圈
Pneumatic Wiper Rod Seal



A853 气动杆防尘圈
Pneumatic Wiper Rod Seal



A854 重载气动杆防尘圈
*Heavy Duty Pneumatic
Rod Wiper*



A855 气动缓震密封
Pneumatic Cushioning Seal

气动密封元件

Pneumatic Sealing Elements





A801

A801气动活塞密封件由一个金属盘外面用NBR材料包覆、在气缸中起双向气动密封作用。不建议在长冲程气缸中使用。

A801 pneumatic piston seals are produced from metal disc designed to work as double acting in pneumatic cylinders covered by NBR material. It is not recommended to be used in long stroke cylinders.

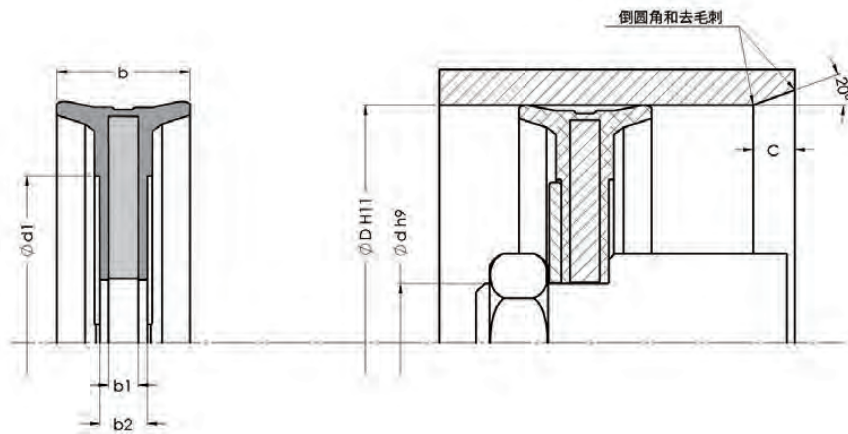
技术参数 / TECHNICAL DATA

工作压力 / Working Pressure	16 Bar
工作温度 / Working Temperature	-30 +105°C
滑动速度 / Sliding Speed	1 m/sn
材料 / Material	80 NBR + 金属
介质 / Media	干燥, 涂油压缩空气 / Dried, oiled compressed air

表面粗糙度 / Surface Roughness

	Rmax
动态表面 / Dynamic Surface	≤ 4 μm





ALP 码 - Code	尺寸 - Dimension	ØD	Ød	b	Ød1	b1	b2
A801-020	20X5,2X8	20	5,2	8	12,2	1	1,4
A801-025	25X8X12	25	8	12	14,5	3	4
A801-026	26X8X12	26	8	12	15,5	3	4
A801-032	32X8X15	32	8	15	16	3	4
A801-035	35X8X15	35	8	15	19	3	4
A801-036	36X8X15	36	8	15	20	3	4
A801-040/1	40X8X18	40	8	18	23	4	5
A801-040	40X10X18	40	10	18	23	4	5
A801-045	45X10X18	45	10	18	26	4	5
A801-050	50X10X18	50	10	18	29	4	5
A801-050/1	50X16X20,5	50	16	20,5	29	4	5
A801-060	60X12X22	60	12	22	36,8	5	6
A801-062	62X15X22	62	15	22	39	5	6
A801-063	63X12X22	63	12	22	40,5	5	6
A801-063/1	63X16X22	63	16	22	40,5	5	6
A801-070	70X12X22	70	12	22	47	5	6
A801-075	75X15X22	75	15	22	52	5	6
A801-080/2	80X16X22,5	80	16	22,5	55	5	6,5
A801-080	80X16X25	80	16	25	55	5	6,5
A801-080/1	80X20X22,5	80	20	22,5	55	5	6,5
A801-090	90X16X25	90	16	25	65	5	6,5
A801-095	95X16X25	95	16	25	70	5	6,5
A801-100/2	100X12X25	100	12	25	75	5	6,5
A801-100	100X16X25	100	16	25	75	5	6,5
A801-100/1	100X20X26	100	20	26	75	5	6,5
A801-110	110X18X25	110	18	25	85	6	7,5
A801-125	125X20X30	125	20	30	90	8	10
A801-140	140X20X30	140	20	30	95	10	12
A801-150	150X20X30	150	20	30	105	10	12
A801-160	160X27X31	160	27	31	115	10	12
A801-180/1	180X20X31	180	20	31	135	10	12
A801-180	180X27X31	180	27	31	135	10	12
A801-190/1	190X12X35	190	12	35	142	10	13
A801-190	190X20X30	190	20	30	160,4	10	12
A801-200/1	200X20X40	200	20	40	150	12	15
A801-200	200X27X35	200	27	35	150	12	15
A801-250	250X30X35	250	30	35	200	12	15
A801-260	260X16X35	260	16	35	212	12	16
A801-320	320X36X40	320	36	40	278,5	15	18,6

A801





A802

A802气动活塞密封件用于低摩擦力气动缸、因为它具有特殊外动态密封唇。

标准的A802气动活塞密封件产品由PU和NBR两种材料。尽管系统内的空气不符合条件, A802密封件在铝制气缸内仍可以安全使用。

A802 pneumatic piston seals are used in pneumatic cylinders with low friction force due to their special profiled dynamic sealing lip.

Standard production of A802 pneumatic piston seals is from PU and NBR materials. A802 seals can be used safely in aluminum pneumatic cylinders although air in the system is not conditioned.

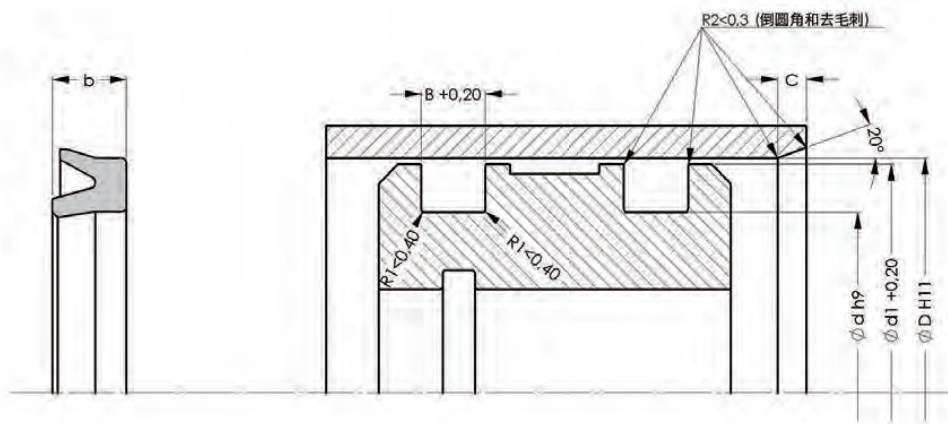
技术参数 / TECHNICAL DATA

标准材料 / Standard Materials	PU	NBR
工作压力 / Working Pressure	16 Bar	12 Bar
工作温度 / Working Temperature	-30 +80°C	-30 +105°C
滑动速度 / Sliding Speed	1 m/sn	1 m/sn
材料 / Material	85 PU	80 NBR
介质 / Media	不干燥压缩空气 / Dried compressed air	干燥压缩空气 / Dried, oiled compressed air

表面粗糙度 / Surface Roughness

	Rmax
动态表面 / Dynamic Surface	≤ 4 μm
槽底部 / Groove Base	≤ 10 μm
槽侧面 / Groove Flanks	≤ 15 μm





ALP 码 - Code	尺寸 - Dimension	ØD	Ød	b	B	Ød1	C	NBR	PU
A802-016	16X10X3	16	10	3	3,5	15	4	NBR	PU
A802-024	24X18X4	24	18	4	4,5	23	4	NBR	PU
A802-025	25X19X3,25	25	19	3,25	3,75	24	4	NBR	PU
A802-032	32X24X5,5	32	24	5,5	6	30,5	5	NBR	PU
A802-040	40X30X7	40	30	7	7,5	38,5	6	NBR	PU
A802-042	42X30X10	42	30	10	11	40,5	6	NBR	PU
A802-050/1	50X36X7	50	36	7	7,5	48,5	6	NBR	PU
A802-050	50X40X7	50	40	7	7,5	48,5	6	NBR	PU
A802-060	60X48X6,5	60	48	6,5	7	58,5	6	NBR	PU
A802-063	63X53X7	63	53	7	7,5	61,5	6	NBR	PU
A802-080	80X68X8,5	80	68	8,5	9,5	78,5	6	NBR	PU
A802-100	100X88X8,5	100	88	8,5	9,5	98	6	NBR	PU
A802-125/1	125X105X8,25	125	105	8,25	9,25	123	8	NBR	PU
A802-125	125X110X10	125	110	10	11	123	6,5	NBR	PU
A802-160/1	160X140X8,25	160	140	8,25	9,25	158	8	NBR	PU
A802-160	160X140X14	160	140	14	15	158	8	NBR	PU
A802-180	180X160X12	180	160	12	13	178	8	NBR	PU
A802-200	200X180X14	200	180	14	15	198	8	NBR	PU
A802-250	250X226X16	250	226	16	17	248	8	NBR	PU
A802-250/1	250X230X14	250	230	14	15	248	8	NBR	PU
A802-320	320X295X17	320	295	17	18	317	11	NBR	PU

A802





A803

A803气动活塞密封件专为短行程气缸使用而设计的, 材料为NBR。

A803 pneumatic piston seals are designed to be used especially in short stroke pneumatic cylinders and produced from NBR material.

技术参数 / TECHNICAL DATA

工作压力 / Working Pressure	12 Bar
工作温度 / Working Temperature	-30 +105°C
滑动速度 / Sliding Speed	1 m/sn
材料 / Material	70 NBR
介质 / Media	干燥, 涂油压缩空气 / Dried, oiled compressed air

表面粗糙度 / Surface Roughness

	Rmax
动态表面 / Dynamic Surface	≤ 4 μm
槽底部 / Groove Base	≤ 10 μm
槽侧面 / Groove Flanks	≤ 15 μm





A804

A804气动活塞密封件是自缓冲单作用密封元件，不需要机加工活塞头。

A804气动活塞密封件由NBR材料覆盖的铝制圆盘制成。A804密封件易于组装且具有很高的耐磨性。不建议在长行程气缸中使用。

A804 pneumatic piston seals are self-cushioning, single acting sealing elements which does not require machining of a piston head.

A804 pneumatic piston seals are produced from aluminum discs covered by NBR material. A804 seals are easy to assemble and have great wear resistance. It is not recommended to be used in long stroke cylinders.

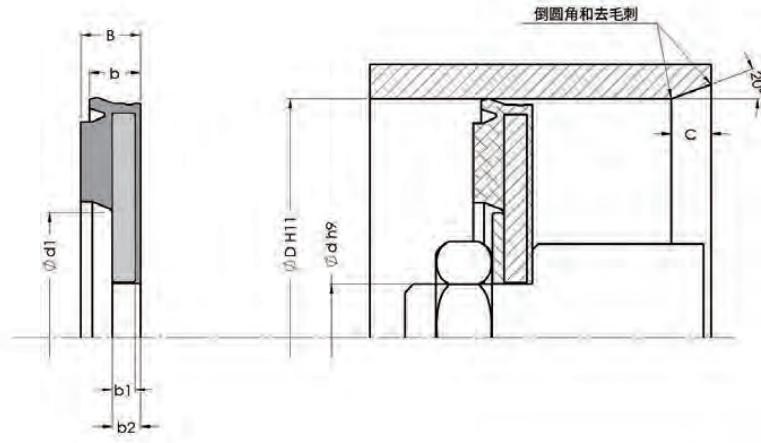
技术参数 / TECHNICAL DATA

工作压力 / Working Pressure	12 Bar
工作温度 / Working Temperature	-30 +105°C
滑动速度 / Sliding Speed	1 m/sn
材料 / Material	70 NBR + 铝
介质 / Media	干燥, 涂油压缩空气 / Dried, oiled compressed air

表面粗糙度 / Surface Roughness

	Rmax
工作面 / Working Surface	≤ 4 μm





ALP 码 - Code	尺寸 - Dimension	$\varnothing D$	$\varnothing d$	B	$\varnothing d1$	b	b1	b2	C
A804-040	40X8X8,5	40	8	8,5	17,7	7	4	4,5	4
A804-050	50X10X10	50	10	10	26	8	4	4,5	4
A804-063	63X12X10	63	12	10	26	8	4	4,5	4

A804



A805

A805气动活塞密封件是自缓冲的双作用密封元件, 不需要加工活塞头。A805气动活塞密封件由NBR材料覆盖的铝制圆盘制成。A805密封件易于组装且具有很高的耐磨性。不建议在长行程气缸中使用。

A805 pneumatic piston seals are self-cushioning, double acting sealing elements which do not require machining of a piston head. A805 pneumatic piston seals are produced with aluminum discs covered by NBR material. A805 seals are easy to assemble and have great wear resistance. It is not recommended to be used in long stroke cylinders.

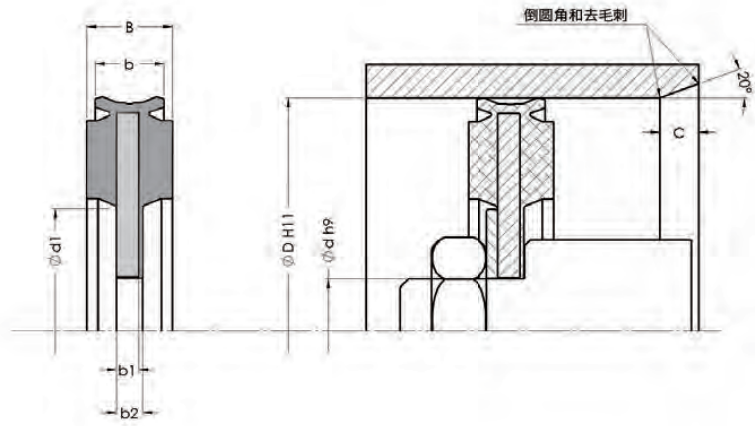
技术参数 / TECHNICAL DATA

工作压力 / Working Pressure	12 Bar
工作温度 / Working Temperature	-30 +105°C
滑动速度 / Sliding Speed	1 m/sn
材料 / Material	70 NBR + 铝
介质 / Media	干燥, 涂油压缩空气 / Dried, oiled compressed air

表面粗糙度 / Surface Roughness

工作面 / Working Surface	Rmax ≤ 4 μm
-----------------------	----------------





ALP 码 - Code	尺寸 - Dimension	ØD	Ød	b	B	Ød1	b1	b2	C
A805-010	10X3X5	10	3	4	5	5,2	1,5	1,8	2,5
A805-012	12X4,5X6	12	4,5	4	6	6,9	2	2,3	2,5
A805-016	16X4,5X6,5	16	4,5	4,5	6,5	6,9	2	2,3	3
A805-020	20X6X7,5	20	6	6,3	7,5	8,8	2,5	2,9	3
A805-025	25X7X8,8	25	7	7	8,8	10,8	3	3,5	3
A805-032	32X8X11	32	8	8	11	12,5	3	3,5	3
A805-040	40X8X11,8	40	8	8,8	11,8	17	4	4,5	4
A805-050	50X10X14	50	10	10	14	26	4	4,5	4
A805-063	63X12X14	63	12	10	14	26	4	4,5	4,5
A805-080	80X16X16	80	16	12	16	30	5	5,5	4,5
A805-100	100X20X18	100	20	14	18	35	6	6,5	4,5

A805



A807

A807气动活塞密封件用于摩擦力气动缸、因为它具有特殊外形的动态密封唇。它是专为短行程气缸使用而设计。

标准的A807气动活塞密封件产品由PU和NBR材料制成。尽管系统内的空气没有经过处理、A807密封件在气缸内仍可以安全使用

A807 pneumatic piston seals are used in pneumatic cylinders with low friction force due to their special profiled dynamic sealing lip. They are especially designed to be used in short stroke pneumatic cylinders.

Standard production of A807 pneumatic piston seals is from PU and NBR materials. A807 PU piston seals can be used safely in pneumatic cylinders although air in the system is not conditioned.

技术参数 / TECHNICAL DATA

标准材料 / Standard Materials	PU	NBR
工作压力 / Working Pressure	16 Bar	12 Bar
工作温度 / Working Temperature	-30 +80°C	-30 +105°C
滑动速度 / Sliding Speed	1 m/sn	1 m/sn
材料 / Material	85 PU	80 NBR
介质 / Media	不干燥压缩空气 / Dried compressed air	干燥压缩空气 / Dried, oiled compressed air

表面粗糙度 / Surface Roughness

	Rmax
动态表面 / Dynamic Surface	≤ 4 μm
槽底部 / Groove Base	≤ 10 μm
槽侧面 / Groove Flanks	≤ 15 μm





A808

A808气动活塞密封件是为了短行程气缸中使用的而设计的、A808气动活塞密封件的标准材料为NBR。

A808 pneumatic piston seals are designed to be used especially in short stroke pneumatic cylinders. Standard production of A808 pneumatic piston seals is from NBR material.

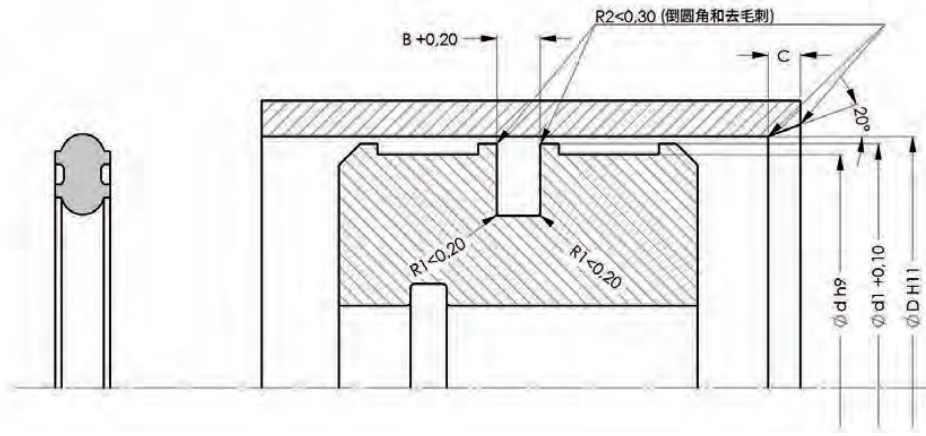
技术参数 / TECHNICAL DATA

工作压力 / Working Pressure	12 Bar
工作温度 / Working Temperature	-30 +105°C
滑动速度 / Sliding Speed	1 m/sn
材料 / Material	70 NBR
介质 / Media	干燥, 涂油压缩空气 / Dried, oiled compressed air

表面粗糙度 / Surface Roughness

	Rmax
动态表面 / Dynamic Surface	≤ 4 μm
槽底部 / Groove Base	≤ 10 μm
槽侧面 / Groove Flanks	≤ 15 μm





ALP 码 - Code	尺寸 - Dimension	ØD	Ød	B	Ød1	C
A808-010	10X5,4X1,6	10	5,4	1,6	9,6	2
A808-012	12X7,4X1,6	12	7,4	1,6	11,6	2
A808-014	14X9,4X1,6	14	9,4	1,6	13,6	2
A808-015	15X10,4X1,6	15	10,4	1,6	14,6	2
A808-016	16X11,4X1,6	16	11,4	1,6	15,6	2
A808-020	20X14X2,24	20	14	2,24	19,6	3
A808-025	25X17X3	25	17	3	24,6	3
A808-030	30X22X3	30	22	3	29,6	3
A808-032	32X24X3,2	32	24	3,2	31,5	3
A808-035	35X27X3	35	27	3	34,5	3
A808-038	38X30X3	38	30	3	37,5	3
A808-040	40X32X3,2	40	32	3,2	39,5	3
A808-044	44X36X3	44	36	3	43,5	3
A808-050	50X40X4	50	40	4	49,5	3,5
A808-055	55X45X3,8	55	45	3,8	54,5	3,5
A808-060	60X50X3,8	60	50	3,8	59,5	3,5
A808-063	63X53X4	63	53	4	62,4	3,5
A808-070	70X55X5,6	70	55	5,6	69,4	4
A808-075	75X60X5,6	75	60	5,6	74,4	4
A808-080	80X65X6	80	65	6	79,4	4
A808-085	85X70X5,6	85	70	5,6	84,4	4
A808-090	90X75X5,6	90	75	5,6	89,4	4
A808-095	95X80X5,6	95	80	5,6	94,4	4
A808-100	100X85X6	100	85	6	99,4	4

A808





A810

A810气动活塞密封件已成功用于短行程气缸中的狭窄的渠道, 并且摩擦力低, 可确保较长的使用寿命并易于安装。

Used successfully in short stroke cylinders, with narrow the A810 pneumatic piston seals and have a low friction force to ensure long service life and easy installation.

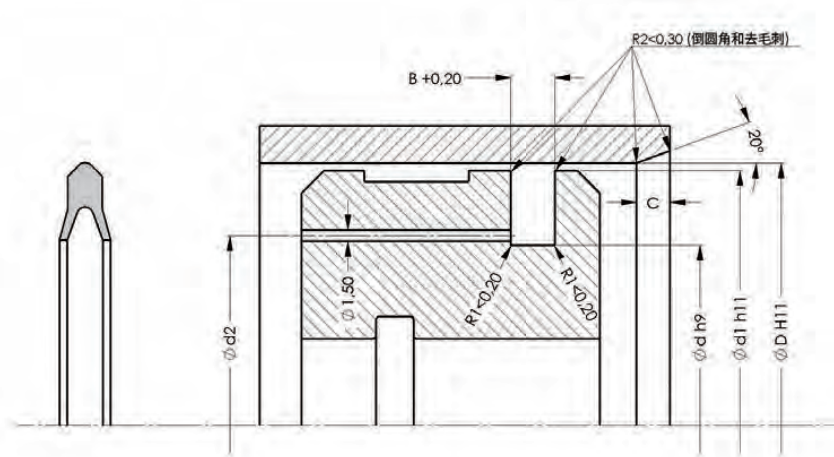
技术参数 / TECHNICAL DATA

工作压力 / Working Pressure	12 Bar
工作温度 / Working Temperature	-30 +105°C
滑动速度 / Sliding Speed	1 m/sn
材料 / Material	70 NBR
介质 / Media	干燥, 涂油压缩空气 / Dried, oiled compressed air

表面粗糙度 / Surface Roughness

	Rmax
动态表面 / Dynamic Surface	≤ 4 μm
槽底部 / Groove Base	≤ 10 μm
槽侧面 / Groove Flanks	≤ 15 μm





ALP 码 - Code	尺寸 - Dimension	$\text{Ø}D$	$\text{Ø}d$	B	$\text{Ø}d1$	$\text{Ø}d2$	C
A810-025	25X15X2,3	25	15	2,3	24,9	16,6	3
A810-030	30X20X2,3	30	20	2,3	29,9	21,6	3
A810-032	32X22X2,3	32	22	2,3	31,9	23,6	3
A810-035	35X22,5X3	35	22,5	3	34,9	24,1	3
A810-035/1	35X25X2,5	35	25	2,5	34,9	26,6	3
A810-040	40X27,5X3	40	27,5	3	39,9	29,1	3
A810-042	42X29,5X3	42	29,5	3	41,9	31,1	3
A810-045	45X32,5X3	45	32,5	3	44,9	34,1	3
A810-050	50X37,5X3	50	37,5	3	49,85	39,1	3
A810-055	55X39X3,5	55	39	3,5	54,85	40,6	3
A810-060	60X44X3,5	60	44	3,5	59,85	45,6	3
A810-063	63X47X3,5	63	47	3,5	62,85	48,6	3
A810-070	70X55,5X3,5	70	55,5	3,5	69,85	57,1	3
A810-080	80X61X4,1	80	61	4,1	79,85	62,6	3
A810-090	90X71X4,1	90	71	4,1	89,85	72,6	3
A810-100	100X79X4,6	100	79	4,6	99,85	80,6	4
A810-125	125X101X5,1	125	101	5,1	124,8	102,6	4
A810-140	140X113,5X5,6	140	113,5	5,6	139,8	115,1	5
A810-160	160X131,5X6,2	160	131,5	6,2	159,8	133,1	5
A810-200	200X163X8,8	200	163	8,8	199,75	164,6	6

A810



A852

A852气动杆密封件是密封和防尘的结合体、由于它的特殊设计,它同时具有杆密封和防尘两种功能。

A852 pneumatic rod seals are combined sealing elements which, thanks to its special design can be used both as rod seals and wipers in pneumatic cylinders.

技术参数 / TECHNICAL DATA

工作压力 / Working Pressure	16 Bar
工作温度 / Working Temperature	-30 +80°C
滑动速度 / Sliding Speed	1 m/sn
材料 / Material	92 PU
介质 / Media	不干燥压缩空气 / Dried compressed air

表面粗糙度 / Surface Roughness

	Rmax
动态表面 / Dynamic Surface	≤ 4 μm
槽底部 / Groove Base	≤ 10 μm
槽侧面 / Groove Flanks	≤ 15 μm





A853

由于它的特殊设计、它同时可作为气动缸的杆密封件和防尘圈使用。

A853气动杆密封件的标准材料为PU和NBR材料。

A853 pneumatic rod seals can be used both as rod seals and wipers in pneumatic cylinders thanks to their special design.

Standard production of A853 pneumatic rod seals is from PU and NBR materials.

技术参数 / TECHNICAL DATA

标准材料 / Standard Materials	PU	NBR
工作压力 / Working Pressure	16 Bar	12 Bar
工作温度 / Working Temperature	-30 +80°C	-30 +105°C
滑动速度 / Sliding Speed	1 m/sn	1 m/sn
材料 / Material	92 PU	90 NBR
介质 / Media	不干燥压缩空气 / Dried compressed air	干燥压缩空气 / Dried, oiled compressed air

表面粗糙度 / Surface Roughness

	Rmax
动态表面 / Dynamic Surface	≤ 4 μm
槽底部 / Groove Base	≤ 10 μm
槽侧面 / Groove Flanks	≤ 15 μm





A854

A854 气动组合密封件具有特殊的设计、同时可作为气缸的杆密封件和防尘圈来使用。

A854 气动组合密封件材料: 当用于重载气动时为 PU + TPE材料, 当用于中载致重载气动时为NBR + TPE材料。

A854 heavy duty pneumatic wiper-rod seals can be used both as rod seal or wiper in pneumatic cylinders thanks to their special design.

Standard production of A854 heavy duty pneumatic wiper-rod seals is from PU+TPE materials for heavy duty applications and from NBR+TPE materials for middle to heavy duty applications.

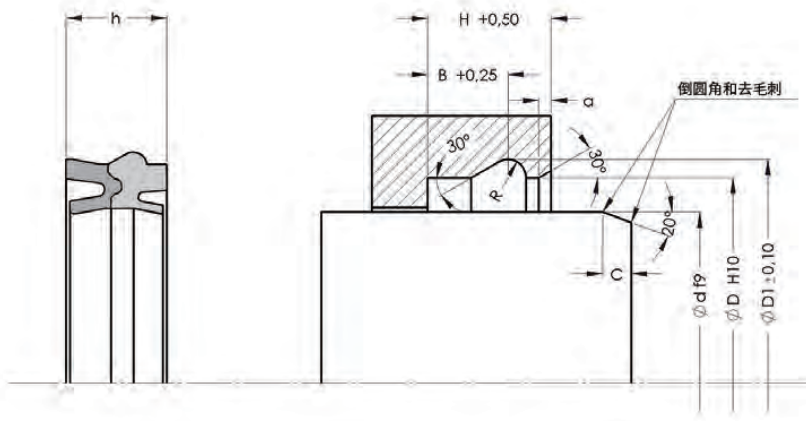
技术参数 / TECHNICAL DATA

标准材料 / Standard Materials	NBR + TPE	PU + TPE
工作压力 / Working Pressure	16 Bar	16 Bar
工作温度 / Working Temperature	-30 +105°C	-30 + 80°C
滑动速度 / Sliding Speed	1 m/sn	1 m/sn
材料 / Material	80 NBR + TPE	92 PU + TPE
介质 / Media	干燥压缩空气 / Dried, oiled compressed air	不干燥压缩空气 / Dried compressed air

表面粗糙度 / Surface Roughness

	Rmax
动态表面 / Dynamic Surface	≤ 4 μm
槽底部 / Groove Base	≤ 10 μm
槽侧面 / Groove Flanks	≤ 15 μm





ALP 码 - Code	大小 - Dimension	Ød	ØD	h	H	B	ØD1	R	a
A854-012	12X22X10,4	12	22	10,4	13	7,7	24	1,1	1,5
A854-014	14X24X10,4	14	24	10,4	13	7,7	26	1,1	1,5
A854-016	16X26X10,4	16	26	10,4	13	7,7	28	1,1	1,5
A854-018/1	18X28X10,4	18	28	10,4	13	7,7	30	1,1	1,5
A854-018	18X28X11	18	28	11	13	7,7	30	1,1	1,5
A854-020	20X30X10,4	20	30	10,4	13	7,7	32	1,1	1,5
A854-025	25X35X11	25	35	11	13	8	37,5	1,4	2
A854-030	30X40X11,5	30	40	11,5	14	8	42,5	1,4	2
A854-032	32X42X11	32	42	11	13	8	44,5	1,4	2
A854-035	35X45X11,5	35	45	11,5	14	8	47,5	1,4	2
A854-040	40X50X11	40	50	11	13	8	52,5	1,4	2
A854-045	45X55X11,5	45	55	11,5	14	8,6	58,2	1,8	2
A854-050	50X60X11,5	50	60	11,5	14	8,6	63,2	1,8	2
A854-063	63X75X13	63	75	13	16	9,6	78,2	1,8	2



A855

A855气动缓震密封用于在杆快速运动时进行缓冲适用、减慢它的速度适用。产品的标准材料为PU。

A855 pneumatic cushioning seals are used for slowing the cylinder down after fast movements. Their standard production is from PU material.

技术参数 / TECHNICAL DATA

标准材料 / Standard Materials	PU	NBR
工作压力 / Working Pressure	16 Bar	12 Bar
工作温度 / Working Temperature	-30 +80°C	-30 +105°C
滑动速度 / Sliding Speed	1 m/sn	1 m/sn
材料 / Material	92 PU	90 NBR
介质 / Media	不干燥压缩空气 / Dried compressed air	干燥压缩空气 / Dried, oiled compressed air

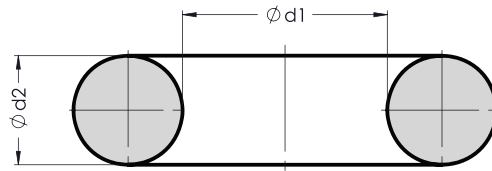
表面粗糙度 / Surface Roughness

	Rmax
动态表面 / Dynamic Surface	≤ 4 μm
槽底部 / Groove Base	≤ 10 μm
槽侧面 / Groove Flanks	≤ 15 μm



O 型圈
O'Rings





符合ISO 3601-1 : 2002内径公差 / Inside Diameter Tolerances According to ISO 3601-1:2002

$\varnothing d1$	Tol.	$\varnothing d1$	Tol.	$\varnothing d1$	Tol.	$\varnothing d1$	Tol.
1,08	$\pm 0,13$	27,3	$\pm 0,32$	136	$\pm 1,07$	335	$\pm 2,36$
2	$\pm 0,13$	28	$\pm 0,32$	140	$\pm 1,09$	340	$\pm 2,4$
2,24	$\pm 0,13$	29	$\pm 0,33$	142,5	$\pm 1,11$	345	$\pm 2,43$
2,5	$\pm 0,13$	30	$\pm 0,34$	145	$\pm 1,13$	350	$\pm 2,46$
2,8	$\pm 0,13$	31,5	$\pm 0,35$	147,5	$\pm 1,14$	355	$\pm 2,49$
3,15	$\pm 0,14$	32,5	$\pm 0,36$	150	$\pm 1,16$	360	$\pm 2,52$
3,55	$\pm 0,14$	33,5	$\pm 0,36$	152,5	$\pm 1,18$	365	$\pm 2,56$
3,75	$\pm 0,14$	34,5	$\pm 0,37$	155	$\pm 1,19$	370	$\pm 2,59$
4	$\pm 0,14$	35,5	$\pm 0,38$	157,5	$\pm 1,21$	375	$\pm 2,62$
4,5	$\pm 0,15$	36,5	$\pm 0,38$	160	$\pm 1,23$	379	$\pm 2,64$
4,75	$\pm 0,15$	37,5	$\pm 0,39$	162,5	$\pm 1,24$	383	$\pm 2,67$
4,87	$\pm 0,15$	38,7	$\pm 0,4$	165	$\pm 1,26$	387	$\pm 2,7$
5	$\pm 0,15$	40	$\pm 0,41$	167,5	$\pm 1,28$	391	$\pm 2,72$
5,15	$\pm 0,15$	41,2	$\pm 0,42$	170	$\pm 1,29$	395	$\pm 2,75$
5,3	$\pm 0,15$	42,5	$\pm 0,43$	172,5	$\pm 1,31$	400	$\pm 2,78$
5,6	$\pm 0,16$	43,7	$\pm 0,44$	175	$\pm 1,33$	406	$\pm 2,82$
6	$\pm 0,16$	45	$\pm 0,44$	177,5	$\pm 1,34$	412	$\pm 2,85$
6,3	$\pm 0,16$	46,2	$\pm 0,45$	180	$\pm 1,36$	418	$\pm 2,89$
6,7	$\pm 0,16$	47,5	$\pm 0,46$	182,5	$\pm 1,38$	425	$\pm 2,93$
6,9	$\pm 0,16$	48,7	$\pm 0,47$	185	$\pm 1,39$	429	$\pm 2,96$
7,1	$\pm 0,16$	50	$\pm 0,48$	187,5	$\pm 1,41$	433	$\pm 2,99$
7,5	$\pm 0,17$	51,5	$\pm 0,49$	190	$\pm 1,43$	437	$\pm 3,01$
8	$\pm 0,17$	53	$\pm 0,5$	195	$\pm 1,46$	443	$\pm 3,05$
8,5	$\pm 0,17$	54,5	$\pm 0,51$	200	$\pm 1,49$	450	$\pm 3,09$
8,75	$\pm 0,18$	56	$\pm 0,52$	203	$\pm 1,51$	456	$\pm 3,13$
9	$\pm 0,18$	58	$\pm 0,54$	206	$\pm 1,53$	462	$\pm 3,17$
9,5	$\pm 0,18$	60	$\pm 0,55$	212	$\pm 1,57$	466	$\pm 3,19$
9,75	$\pm 0,18$	61,2	$\pm 0,56$	218	$\pm 1,61$	470	$\pm 3,22$
10	$\pm 0,19$	63	$\pm 0,57$	224	$\pm 1,65$	475	$\pm 3,25$
10,6	$\pm 0,19$	65	$\pm 0,58$	227	$\pm 1,67$	479	$\pm 3,28$
11,2	$\pm 0,2$	67	$\pm 0,6$	230	$\pm 1,69$	483	$\pm 3,3$
11,6	$\pm 0,2$	69	$\pm 0,61$	236	$\pm 1,73$	487	$\pm 3,33$
11,8	$\pm 0,19$	71	$\pm 0,63$	239	$\pm 1,75$	493	$\pm 3,36$
12,1	$\pm 0,21$	73	$\pm 0,64$	243	$\pm 1,77$	500	$\pm 3,41$
12,5	$\pm 0,21$	75	$\pm 0,65$	250	$\pm 1,82$	508	$\pm 3,46$
12,8	$\pm 0,21$	77,5	$\pm 0,67$	254	$\pm 1,84$	515	$\pm 3,5$
13,2	$\pm 0,21$	80	$\pm 0,69$	258	$\pm 1,87$	523	$\pm 3,55$
14	$\pm 0,22$	82,5	$\pm 0,71$	261	$\pm 1,89$	530	$\pm 3,6$
14,5	$\pm 0,22$	85	$\pm 0,72$	265	$\pm 1,91$	538	$\pm 3,65$
15	$\pm 0,22$	87,5	$\pm 0,74$	268	$\pm 1,92$	545	$\pm 3,69$
15,5	$\pm 0,23$	90	$\pm 0,76$	272	$\pm 1,96$	553	$\pm 3,74$
16	$\pm 0,23$	92,5	$\pm 0,77$	276	$\pm 1,98$	560	$\pm 3,78$
17	$\pm 0,24$	95	$\pm 0,79$	280	$\pm 2,01$	570	$\pm 3,85$
18	$\pm 0,25$	97,5	$\pm 0,81$	283	$\pm 2,03$	580	$\pm 3,91$
19	$\pm 0,25$	100	$\pm 0,82$	286	$\pm 2,05$	590	$\pm 3,97$
20	$\pm 0,26$	103	$\pm 0,85$	290	$\pm 2,08$	600	$\pm 4,03$
20,6	$\pm 0,26$	106	$\pm 0,87$	295	$\pm 2,11$	608	$\pm 4,08$
21,2	$\pm 0,27$	109	$\pm 0,89$	300	$\pm 2,14$	615	$\pm 4,12$
22,4	$\pm 0,28$	112	$\pm 0,91$	303	$\pm 2,16$	623	$\pm 4,17$
23	$\pm 0,29$	115	$\pm 0,93$	307	$\pm 2,19$	630	$\pm 4,22$
23,6	$\pm 0,29$	118	$\pm 0,95$	311	$\pm 2,21$	640	$\pm 4,28$
24,3	$\pm 0,3$	122	$\pm 0,97$	315	$\pm 2,24$	650	$\pm 4,34$
25	$\pm 0,3$	125	$\pm 0,99$	320	$\pm 2,27$	660	$\pm 4,4$
25,8	$\pm 0,31$	128	$\pm 1,01$	325	$\pm 2,3$	670	$\pm 4,47$
26,5	$\pm 0,31$	132	$\pm 1,04$	330	$\pm 2,33$		

$\varnothing d_2 / \varnothing d_2$	公差 / Tolerance
$\varnothing d_2 \leq 1,8$	± 0.07
$1,8 < \varnothing d_2 \leq 2,65$	± 0.08
$2,65 < \varnothing d_2 \leq 3,55$	± 0.09
$3,55 < \varnothing d_2 \leq 5,35$	± 0.10
$5,35 < \varnothing d_2 \leq 7$	± 0.11
$7 < \varnothing d_2 \leq 8$	± 0.12
$8 < \varnothing d_2 \leq 10$	± 0.14

静态密封

如果在静态应用中没有允许的间隙, 则对于O型圈, 没有一定的压力限制。但是要求正确选择公差, 并且固定螺钉不应在高压下产生任何间隙。

STATIC SEALING

If there is no permissible gap in static applications, for O'ring there is no certain pressure limit to resist against. But, it is required that tolerances should be chosen correctly and fixing screws should not create any gaps by extending in high pressures.

静压力 / Static Pressure	硬度 / Hardness
$P \leq 160 \text{ Bar}$	70 Shore A
$P > 160 \text{ Bar}$	90 Shore A

动态密封

它们用于低动态压力以及类似的其他产品, 例如气缸或阀芯

DYNAMIC SEALING

They are used in low dynamic pressures and similar others like pneumatic cylinders or valve spool.

Dinamik Basınç / Dynamic pressure	硬度 / Hardness
$P \leq 63 \text{ Bar}$	70 Shore A
$P > 63 \text{ Bar}$	90 Shore A

表面粗糙度

动态和静态密封的另外两个最重要的因素是外壳和表面质量。对于动态应用, 与静态表面相比, 需要更好的表面质量。

SURFACE ROUGHNESS

The other two most important factors in dynamic and static sealings are housing and the surface quality worked on. For dynamic application, a better surface quality is required compared with static ones.

应用 / Application	表面 / Surface	Rmax / Rmax
动态	管 / Tube	$\leq 4 \mu\text{m}$
	竿 / Rod	$\leq 2 \mu\text{m}$
	房屋基地 / Housing Base	$\leq 6-1,2 \mu\text{m}$
静态	房屋侧面 / Sides of Housing	$\leq 25 \mu\text{m}$
	密封面 / Sealing Surface	$\leq 10 \mu\text{m}$
	房屋基地 / Housing Base	$\leq 25 \mu\text{m}$

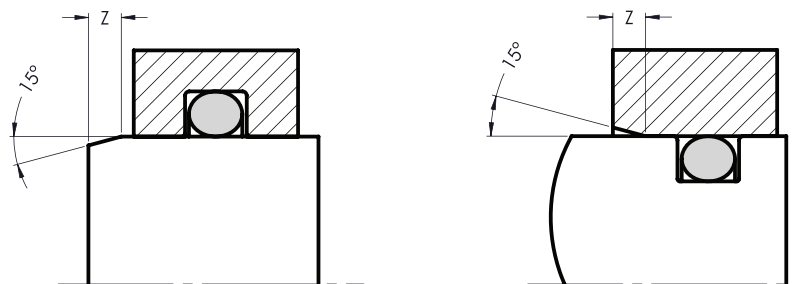
动态操作中的推荐横截面 RECOMMENDED CROSS SECTIONS IN DYNAMIC OPERATIONS

	d_1 / d_1	d_2 / d_2
	到 9	1.78
从 8	到 19	2.40 和 2.62
从 18	到 40	3.00 和 3.53
从 37	到 130	5.33 和 5.70
从 110	到 150	6.99



杆和外壳的倒角

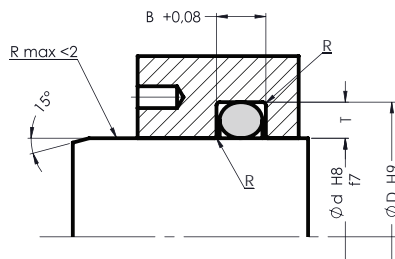
CHAMFERING OF THE ROD AND THE HOUSING



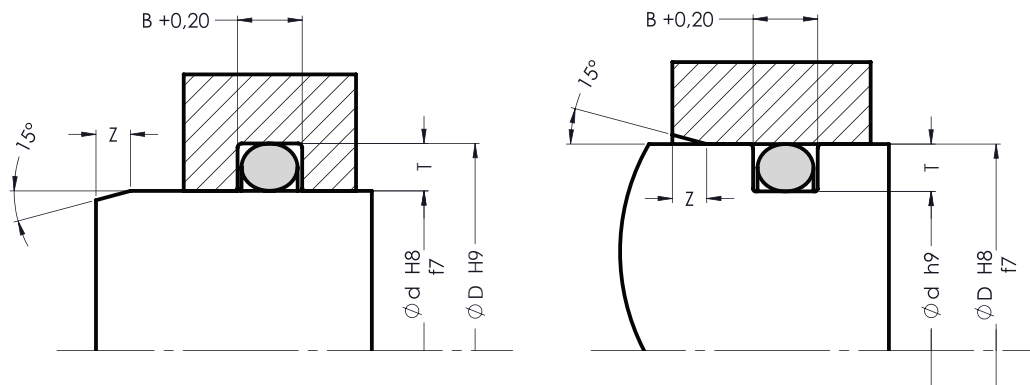
d_2	Z	d_2	Z
1.50	1.0	5.50	2.8
1.78	1.1	5.70	3.0
2.00	1.2	6.00	3.1
2.40	1.4	6.50	3.3
2.50	1.4	6.99	3.6
2.62	1.5	7.00	3.6
3.00	1.6	7.50	3.8
3.50	1.8	8.00	4.0
3.53	1.8	8.50	4.2
4.00	2.0	9.00	4.3
4.50	2.3	9.50	4.4
5.00	2.5	10.00	4.5
5.33	2.7		

动态操作中的O型圈外壳措施（径向运动）

O-RING HOUSING MEASURES IN DYNAMIC OPERATIONS (RADIAL MOVEMENT)



d_2	T	B	R
1.78	1.65	2.00	0.10
2.00	1.85	2.25	0.10
2.40	2.25	2.65	0.10
2.50	2.33	2.80	0.10
2.62	2.45	2.90	0.10
3.00	2.80	3.30	0.20
3.53	3.30	3.90	0.20
4.00	3.75	4.40	0.20
4.50	4.20	4.90	0.20
5.00	4.70	5.50	0.20
5.33	5.00	5.85	0.20
5.50	5.20	6.00	0.20
5.70	5.40	6.25	0.20
6.99	6.65	7.70	0.20



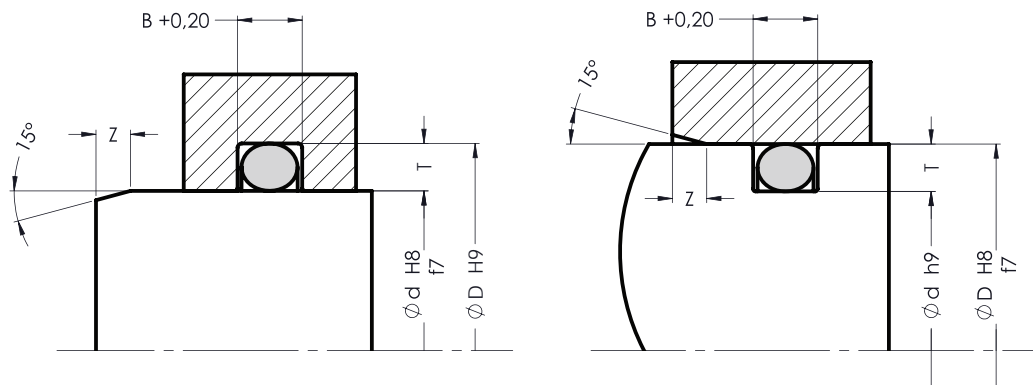
住房措施

HOUSING MEASURES

d_2	T	B	Z
1.50	1.35	1.9	1.0
1.78	1.55	2.3	1.1
2.00	1.80	2.4	1.2
2.40	2.15	2.9	1.4
2.50	2.25	3.0	1.4
2.62	2.35	3.1	1.5
3.00	2.75	3.6	1.6
3.50	3.25	4.2	1.8
3.53	3.25	4.2	1.8
4.00	3.70	4.8	2.0
4.50	4.20	5.4	2.3
5.00	4.65	6.0	2.5
5.33	4.95	6.4	2.7
5.50	5.15	6.6	2.8
5.70	5.35	6.9	3.0
6.00	5.65	7.2	3.1
6.50	6.10	7.8	3.3
6.99	6.60	8.4	3.6
7.00	6.60	8.4	3.6
7.50	7.10	9.0	3.8
8.00	7.60	9.6	4.0
8.50	8.00	10.2	4.2
9.00	8.50	10.8	4.3
9.50	9.00	11.4	4.4
10.00	9.50	12.0	4.5

动态应用中的O型圈尺寸 (轴向运动)

O-RING HOUSING DIMENSIONS IN DYNAMIC APPLICATION (AXIAL MOVEMENT)



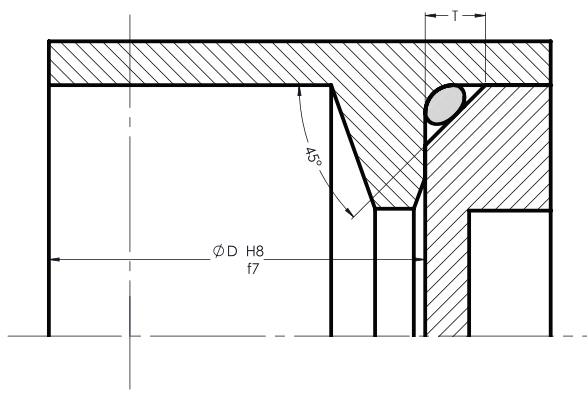
住房措施

HOUSING MEASURES

d_2	T	B	Z
1.50	1.30	1.9	1.0
1.78	1.50	2.3	1.1
2.00	1.70	2.4	1.2
2.40	2.10	2.9	1.4
2.50	2.20	3.0	1.4
2.62	2.30	3.1	1.5
3.00	2.60	3.6	1.6
3.50	3.05	4.2	1.8
3.53	3.10	4.2	1.8
4.00	3.50	4.8	2.0
4.50	4.00	5.4	2.3
5.00	4.45	6.0	2.5
5.33	4.70	6.4	2.7
5.50	4.95	6.6	2.8
5.70	5.10	6.9	3.0
6.00	5.40	7.2	3.1
6.50	5.80	7.8	3.3
6.99	6.30	8.4	3.6
7.00	6.30	8.4	3.6
7.50	6.70	9.0	3.8
8.00	7.20	9.6	4.0
8.50	7.70	10.2	4.2
9.00	8.20	10.8	4.3
9.50	8.60	11.4	4.4
10.00	9.10	12.0	4.5

静态应用中的三角形沟道尺寸

TRIANGULAR GROOVE DIMENSIONS IN STATIC APPLICATION



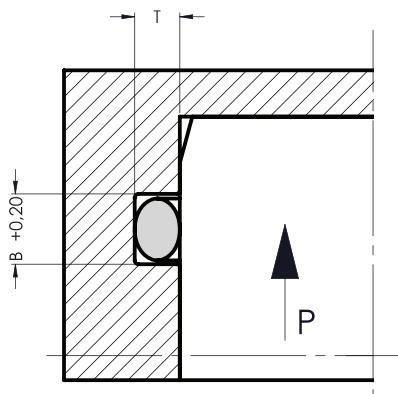
住房措施

HOUSING MEASURES

d_2	T
1.00	1.45 +0.08
1.50	2.00 +0.08
1.60	2.13 +0.08
1.78	2.38 +0.08
2.00	2.70 +0.08
2.40	3.25 +0.12
2.50	3.40 +0.12
2.62	3.55 +0.12
3.00	4.10 +0.20
3.50	4.80 +0.20
3.53	4.85 +0.20
4.00	5.50 +0.20
4.50	6.15 +0.20
5.00	6.85 +0.20
5.33	7.35 +0.20
5.50	7.55 +0.20
5.70	7.85 +0.20
6.00	8.25 +0.30
6.50	8.95 +0.30
6.99	9.60 +0.30
7.00	9.60 +0.30
7.50	10.30 +0.30
8.00	11.00 +0.30
8.40	11.55 +0.30
8.50	11.70 +0.30
9.00	12.40 +0.40
9.50	13.05 +0.40
10.0	13.70 +0.40

静态应用中的矩形沟道尺寸

RECTANGULAR GROOVE DIMENSIONS IN STATIC APPLICATION



住房措施

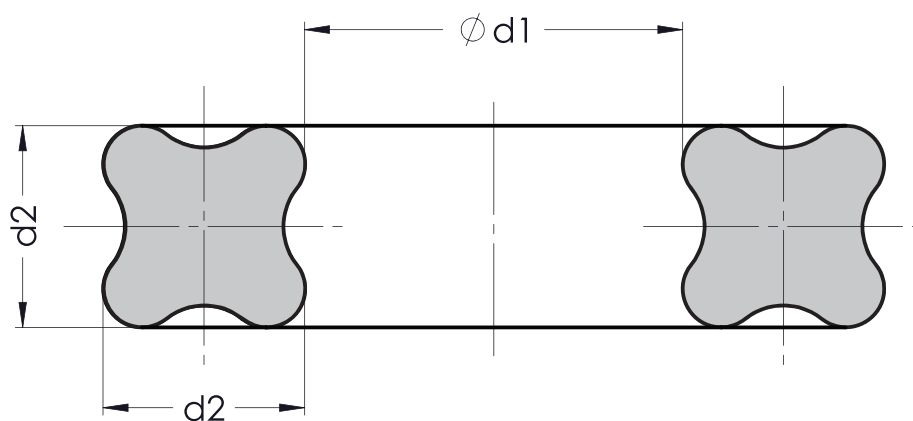
HOUSING MEASURES

d_2	T	B
1.50	1.10	1.9
1.60	1.20	2.1
1.78	1.30	2.3
2.00	1.50	2.6
2.40	1.80	3.1
2.50	1.90	3.2
2.62	2.00	3.4
3.00	2.30	3.9
3.50	2.70	4.5
3.53	2.75	4.5
4.00	3.15	5.2
4.50	3.60	5.8
5.00	4.00	6.5
5.33	4.30	6.9
5.50	4.50	7.1
5.70	4.65	7.4
6.00	4.95	7.8
6.50	5.40	8.4
6.99	5.85	9.1
7.00	5.85	9.1
7.50	6.30	9.7
8.00	6.75	10.4
8.40	7.15	10.9
8.50	7.25	11.0
9.00	7.70	11.7
9.50	8.20	12.3
10.00	8.65	13.0
10.50	9.15	13.6
11.00	9.65	14.3
11.50	10.10	15.0
12.00	10.60	15.6
12.50	11.05	16.2
13.00	11.55	16.9
13.50	12.05	17.05
14.00	12.55	18.2
14.50	13.00	18.8
15.00	13.50	19.5



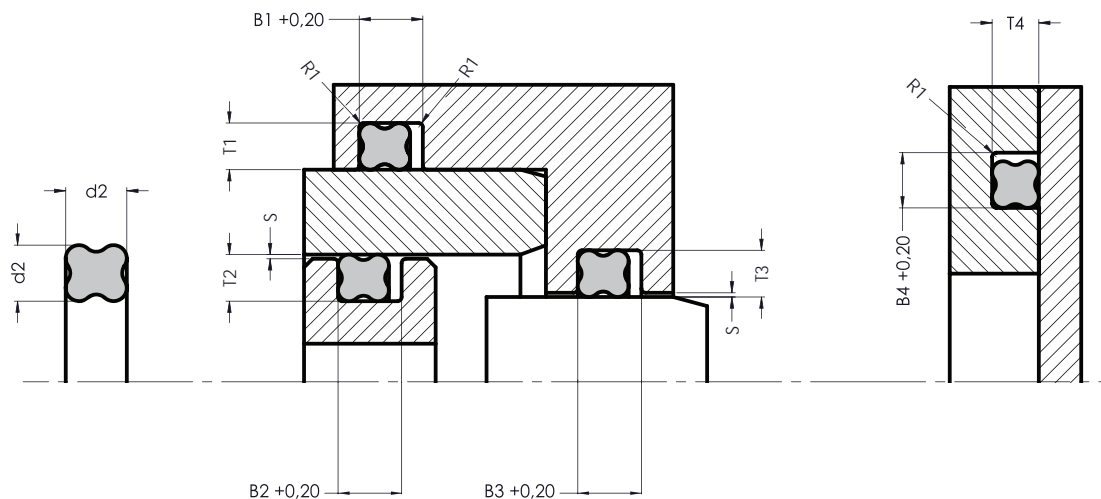
X 型圈
X'Rings





公差 / Tolerance	$\phi d_1 / \phi d_1$	应用公差 / Application Tolerance
	< 3	± 0.13
	3 - 6	± 0.15
	6-10	± 0.19
	10-18	± 0.25
	18-50	± 0.48
	50-80	± 0.68
	80-100	± 0.82
	100-120	± 0.96
	120-180	± 1.36
	180-250	± 1.82
	250-315	± 2.24
	315-400	± 2.78
	400-500	± 3.40
	500-630	± 4.21
	630-800	± 5.26

公差 / Tolerance	$\phi d_2 / \phi d_2$	应用公差 / Application Tolerance
	< -1.6	± 0.08
	1.6-2	± 0.09
	2-2.5	± 0.10
	2.5-3	± 0.13
	3-4	± 0.15
	4-5	± 0.16
	5-7	± 0.18



d2	动态/DYNAMIC	STATIC			
	T2 / T3 +0,05	T1 / T4 +0,05	B1 / B2 / B3 / B4 +0,20	R1	S Max
1,02	0,80	0,75	1,20	0,10	0,03
1,27	1,00	0,90	1,40	0,10	0,05
1,52	1,25	1,15	1,70	0,22	0,05
1,78	1,50	1,40	2,00	0,22	0,05
2,62	2,25	2,20	3,00	0,30	0,10
3,53	3,20	3,10	4,00	0,40	0,10
5,33	4,85	4,70	6,00	0,40	0,10
6,99	6,35	6,20	8,00	0,60	0,10

X型环是经过特殊设计的密封元件,带有4个对称唇。 通过根据应用使用许多不同的材料,它们可适应广泛的应用。

- 型材提供的周向通道充当储油罐以减少摩擦。 由于具有这一功能,它们在动态应用中是首选替代O型圈。
- X型环轮廓有助于避免在组装过程中扭曲。
- 防止在动态应用中使用O型圈时出现旋转问题。
- 与O型圈不同,模具分型线不会影响密封性能。

X型圈可用于动态和静态应用中,并通过外壳表面挤压以在低压下产生预紧力。 系统压力会增加挤压力,以达到所需的密封力。

虽然可以通过支撑环来增加最大应用压力,但X型环在动态轴向运动应用中的最大使用压力为50 bar,在旋转应用中可以使用的最大压力为150 bar,在静态应用中可以使用的最大压力为50 bar。

X-rings are specially designed sealing elements with 4 symmetrical lips. They are adaptable for wide range of application by using many different materials depending on the application.

- Circumferential channels provided by the profile, acts as oil reservoirs to reduce friction. Thanks to that ability they are preferred to replace O-ring in dynamic applications.
- X-Ring profile helps to avoid twisting during assembly.
- Rotating problem when using O-rings in dynamic applications is prevented.
- Unlike O-rings, mold parting lines does not effect sealing performance.

X-ring can be used in both dynamic and static applications, and are squeezed by housing surfaces to create pre-load under low pressures. That squeeze is increased by system pressure to achieve required sealing force.

While maximum application pressure can be increased by back-up rings, X-ring can be used up to 50 bars in dynamic axial movement applications, 150 bars in rotating applications, 50 bars in static applications.

X型圈通常可用于任何应用场合;

- 活塞密封件
- 杆密封件
- 静态密封,
- 径向静密封件(衬套,盖子)
- 轴向静密封,(法兰,板)
- 替代O型圈通电密封中的O型圈。

X-rings can be designed for any application, while they are commonly used as;

- Piston Seals,
- Rod Seals,
- Static Seals,
- Radial Static Seals, (Bushins, Covers)
- Axial Static Seals, (Flanges, Plates)
- As a replacement for O-rings in O-ring energized seals.

表面粗糙度

动态和静态密封的另外两个最重要的因素是外壳和表面质量。对于动态应用,与静态表面相比,需要更好的表面质量。

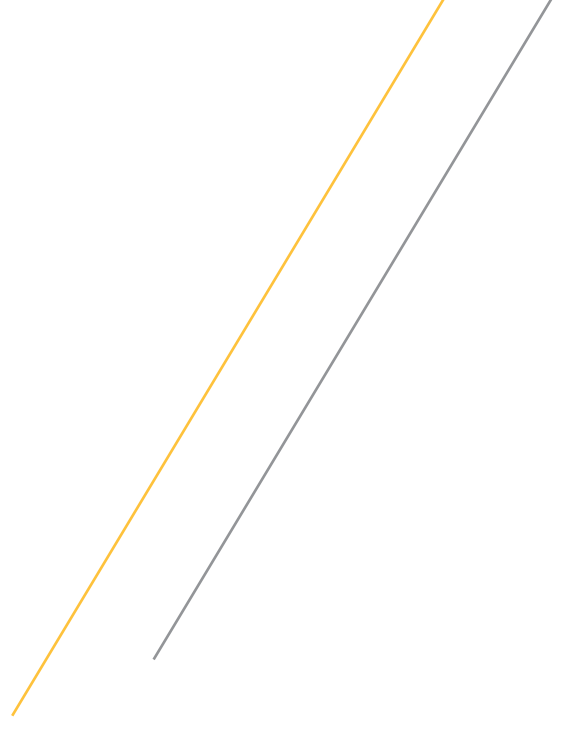
SURFACE ROUGHNESS

The other two most important factors in dynamic and static sealings are housing and the surface quality worked on. For dynamic application, a better surface quality is required compared with static ones.

应用 / Application	表面 / Surface	Rmax / Rmax
动态	管 / Tube	≤4 μm
	竿 / Rod	≤2 μm
	房屋基地 / Housing Base	≤6-1,2 μm
静态	房屋侧面 / Sides of Housing	≤25 μm
	密封面 / Sealing Surface	≤10 μm
	房屋基地 / Housing Base	≤25 μm







www.alpkaucuk.com



Alp Kauçuk
Sanayi ve Ticaret A.Ş.
MPIOSB. 7. Cadde No:7
Menemen, İzmir/Türkiye
Tel:+90 232 328 15 99
Fax:+90 232 328 15 96
info@alpkaucuk.com

