

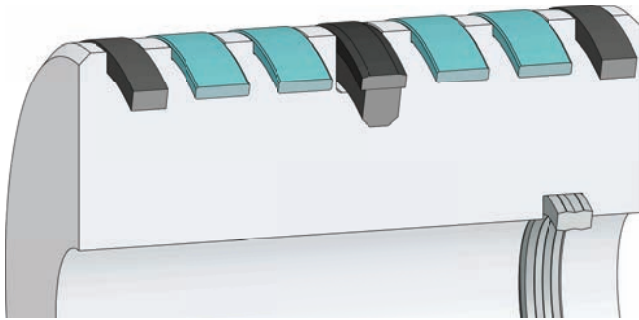


Sealing Solutions for  
Heavy Duty Applications

Global  
Sealing  
Solutions

[www.alpkaucuk.com](http://www.alpkaucuk.com)

# Piston Sealing Elements for Heavy Duty Applications



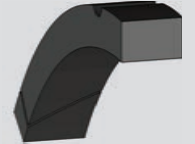
**A127** Heavy Duty Piston Seal Z Cutted



**A255** Polyester Resin Guide Ring

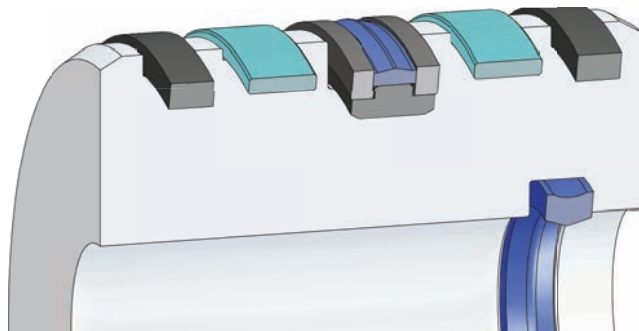


**A303** Anti Contamination Piston Seal



- Guiding elements suitable for heavy duty applications.
- A303 which prevents foreign particles and different problems in the system from damaging the sealing elements.
- A127 piston seal suitable for high pressures, providing easy installation and unaffected by surface roughness defects.
- Safe assembly and static sealing with one-piece A406 static seal instead of O-Ring and 2 Support Rings.

**A406** Static Seal



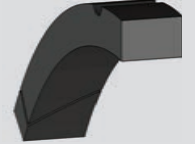
**A403** Cover Seal



**A255** Polyester Resin Guide Ring

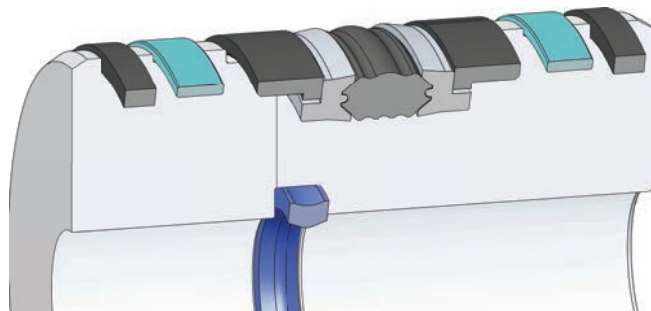
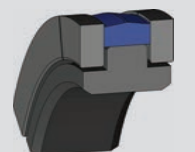


**A303** Anti Contamination Piston Seal



- Guiding elements suitable for heavy duty applications.
- A303 which prevents foreign particles and different problems in the system from damaging the sealing elements.
- A106 design suitable for high pressure providing price advantage (up to 0.5 m/s speed).

**A106** Piston Seal



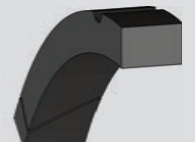
**A403** Cover Seal



**A255** Polyester Resin Guide Ring

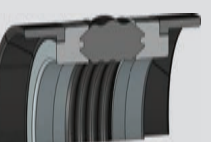


**A303** Anti Contamination Piston Seal

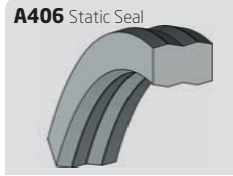
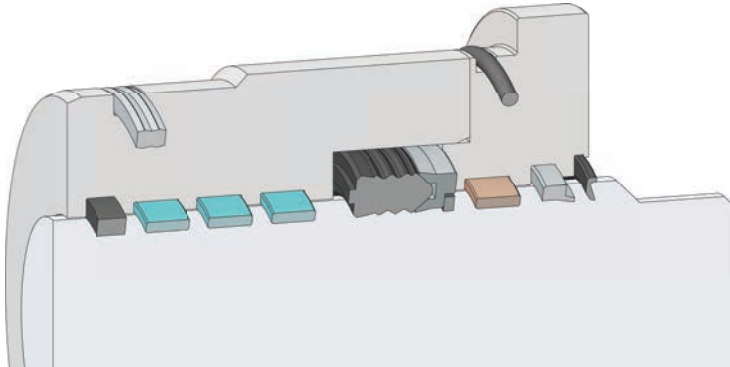


- Guiding elements suitable for heavy duty applications.
- A303 which prevents foreign particles and different problems in the system from damaging the sealing elements.
- A109 piston seal which provides superior performance with low friction at high pressures and bearing effect with special glass fiber reinforced POM material.

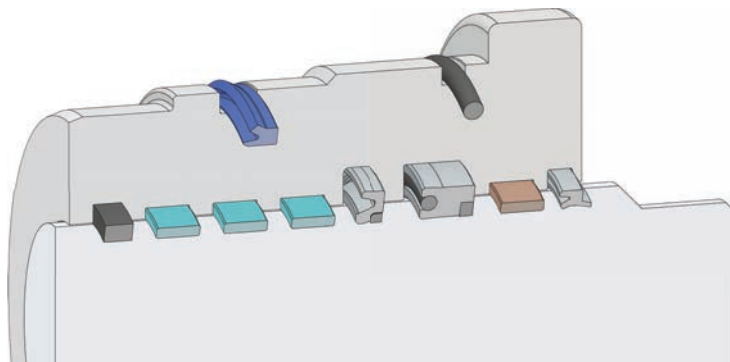
**A109** Compact Seal



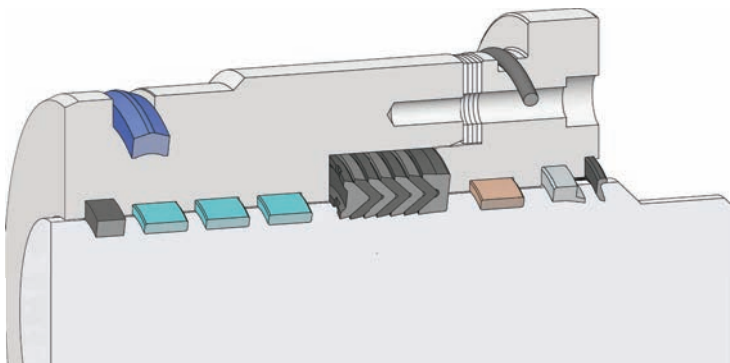
# Rod Sealing Elements for Heavy Duty Applications



- Special design A211 providing extra protection against hard particles stuck on the rod such as sand, ice, welding slag.
- Guiding elements suitable for heavy duty applications.
- A313 which prevents foreign particles and different problems in the system from damaging the sealing elements.
- A155 with long service life even at high pressures.
- Safe assembly and static sealing with one-piece A406 static seal instead of O-Ring and 2 Support Rings.



- A405 static sealing element which can be used without support rings in one sided pressure applications.
- Guiding elements suitable for heavy duty applications.
- A269 Design suitable for sudden pressure changes.
- A162 high performance heavy rod seals for both low and high pressures.
- A313 which prevents foreign particles and different problems in the system from damaging the sealing elements.



- Special design A211 providing extra protection against stiff particles stuck on the rod such as sand, ice, welding slag.
- Guiding elements suitable for heavy duty applications.
- A313 which prevents foreign particles and different problems in the system from damaging the sealing elements.
- A120 packing capable of adapting to maintenance times and performing safely with multiple sealing zones in difficult conditions.



**Phone:**+90 232 328 15 99  
**Fax:** +90 232 328 15 96  
**E-mail:** info@alpkaucuk.com  
**Address:**MPIOSB 7.Cadde No:7  
Menemen, Izmir/Turkey

