

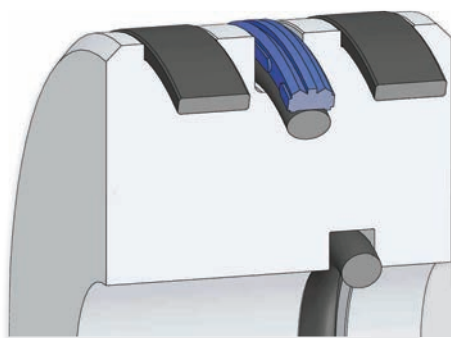


Sealing Solutions for
Light Duty Applications

Global
Sealing
Solutions

www.alpkaucuk.com

Piston Sealing Elements for Light Duty Applications



A251 Piston Rod Guide Ring



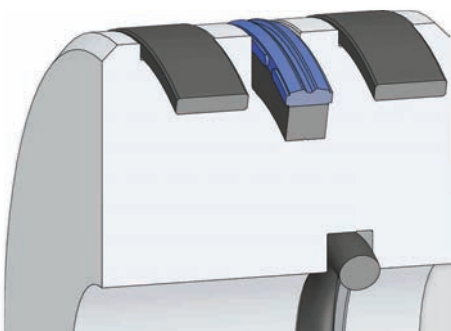
O-Ring



A123 Piston Seal



- Groove design suitable with ISO standards.
- A123 piston seal with easy installation and low friction force.
- Cost effective A251 guiding elements with wide range of dimensions.



A251 Piston Rod Guide Ring



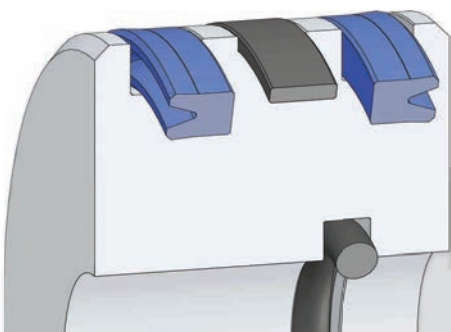
O-Ring



A110 Piston Seal



- Groove design suitable with ISO standards.
- A110 piston seal suitable for mid-duty applications and with rotation preventive design and low friction force.
- Cost effective A251 guiding elements with wide range of dimensions.



A251 Piston Rod Guide Ring



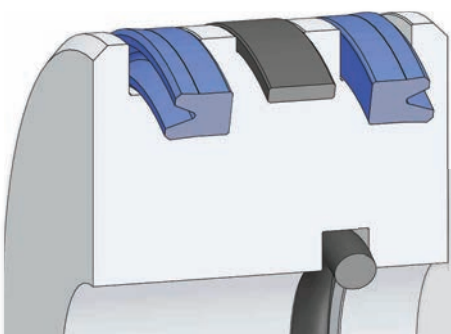
O-Ring



A101 U-Ring Rod Piston



- A101 sealing element with very high availability and size variety.
- Cost effective A251 guiding elements with wide range of dimensions.
- Design that provides easy installation.



A251 Piston Rod Guide Ring



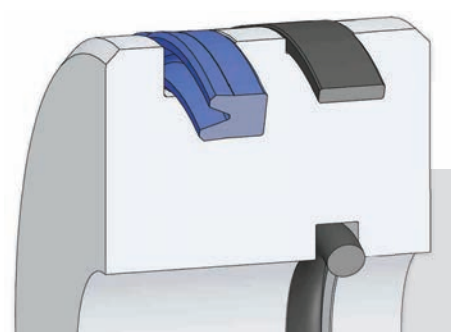
O-Ring



A102 U-Ring Piston



- A102 piston seals with low dynamic lip.
- Cost effective A251 guiding elements with wide range of dimensions.
- Design that provides easy installation.



A251 Piston Rod Guide Ring



O-Ring



A102 U-Ring Piston



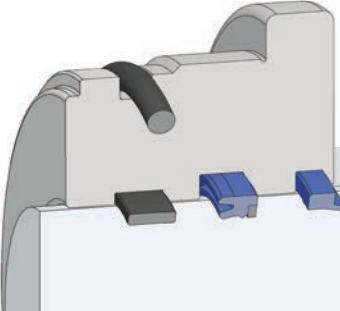
- A102 piston seals with low dynamic lip.
- Cost effective A251 guiding elements with wide range of dimensions.
- Single acting piston head design.

Rod Sealing Elements for Light Duty Applications



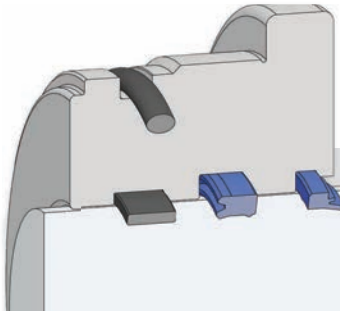
A251 Piston Rod Guide Ring	O-Ring	A151 U-Ring Rod	A202 Wiper
-----------------------------------	---------------	------------------------	-------------------

- Availability with wide range of dimensions.
- Easy installation.
- Guidening ability at medium loads (up to 40N/mm²).



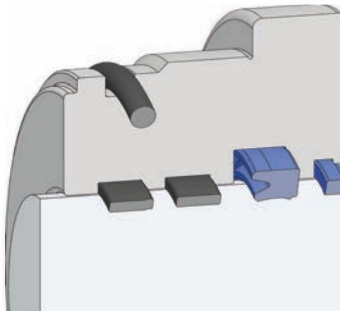
A251 Piston Rod Guide Ring	O-Ring	A153 U-Ring Rod	A202 Wiper
-----------------------------------	---------------	------------------------	-------------------

- Guidening ability under medium loads (up to 40N/mm²).
- Easy installation.
- Can be used safely at high pressures with back-up ring.



A251 Piston Rod Guide Ring	O-Ring	A157 U-Ring Rod	A201 Wiper
-----------------------------------	---------------	------------------------	-------------------

- A157 rod seal suitable for narrow grooves.
- Low pressure performance.
- A201 wipers providing extra protection against particles that come from the external environment.



A251 Piston Rod Guide Ring	O-Ring	A154 U-Ring Rod	A204 Wiper
-----------------------------------	---------------	------------------------	-------------------

- A154 rod seals that protect against foreign particles with its double lip structure and thinning the oil film formed in dynamic operation.
- Guidening ability at medium loads (up to 40N/mm²).
- The design that prevents solid particles from entering the system from the external environment.



A251 Piston Rod Guide Ring	O-Ring	A182 U-Ring Rod	A202 Wiper
-----------------------------------	---------------	------------------------	-------------------

- Simple groove design.
- Wide range of dimensions.
- A182 rod seal with high extrusion and long working life in high pressures.

Phone:+90 232 328 15 99
Fax: +90 232 328 15 96
E-mail: info@alpkaucuk.com
Address:MPIOSB 7.Cadde No:7
Menemen, Izmir/Turkey

