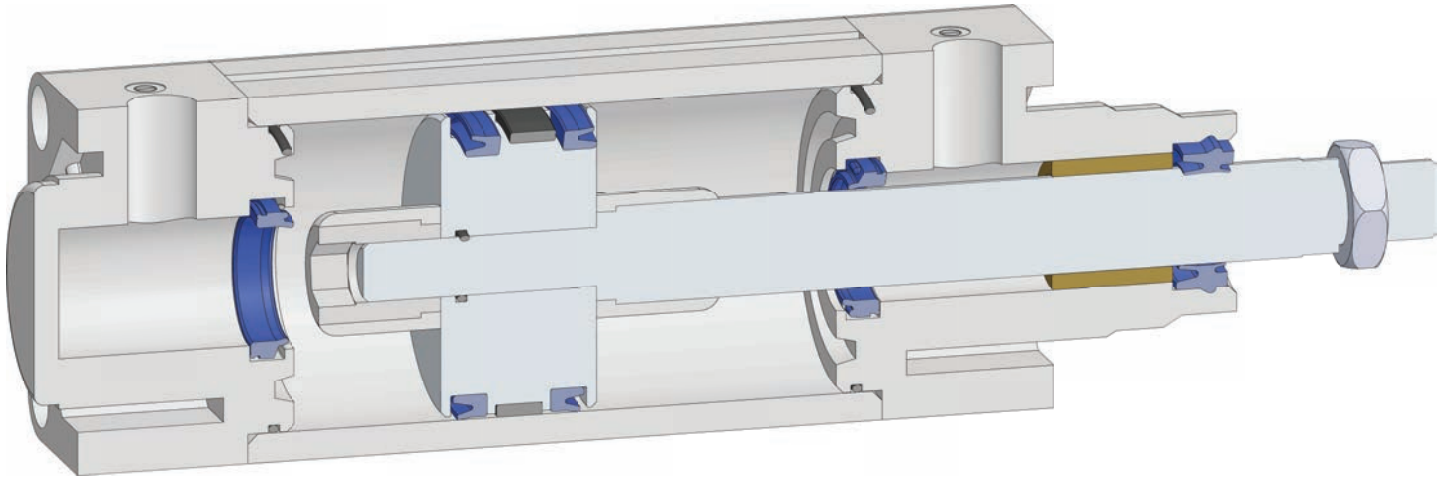


Sealing Solutions for
Pneumatic Applications

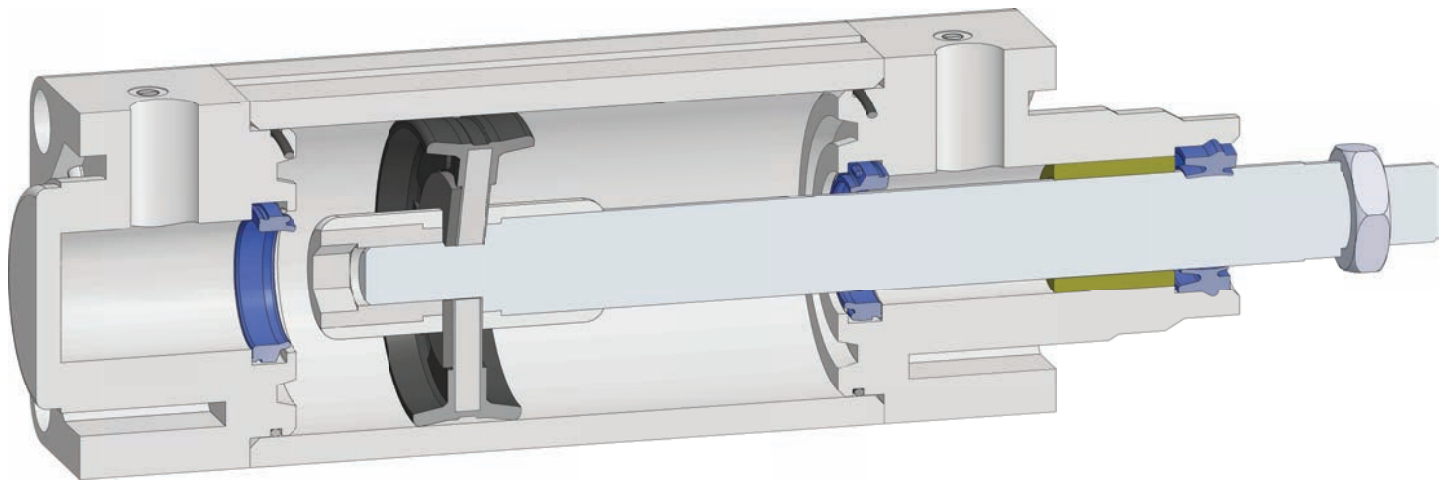
Global
Sealing
Solutions

www.alpkaucuk.com

Sealing Elements for Pneumatic Applications

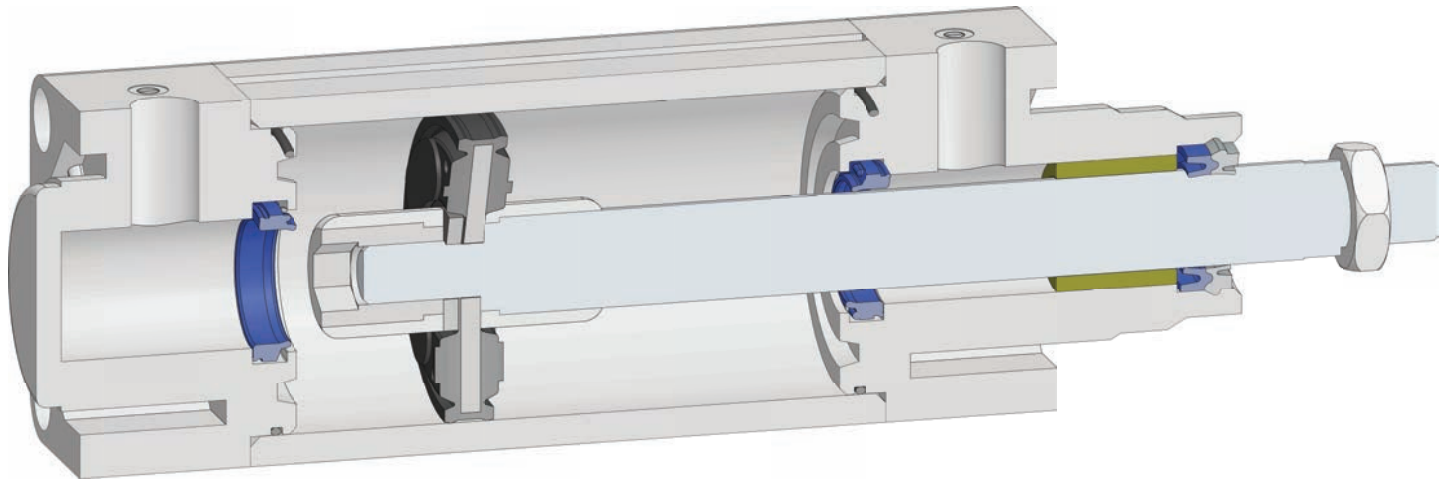


- Double acting capability with two nutring piston seals.
- Low friction providing uninterrupted movement.
- A855 Cushioning seal providing reliable operation.



- A801 Piston seal eliminating the need for piston head machining.
- Low friction providing uninterrupted movement.
- A855 Cushioning seal providing reliable operation.

Sealing Elements for Pneumatic Applications



A251 Piston Rod Guide Ring



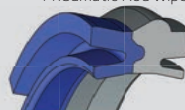
O-Ring



A805 Pneumatic Piston Seal



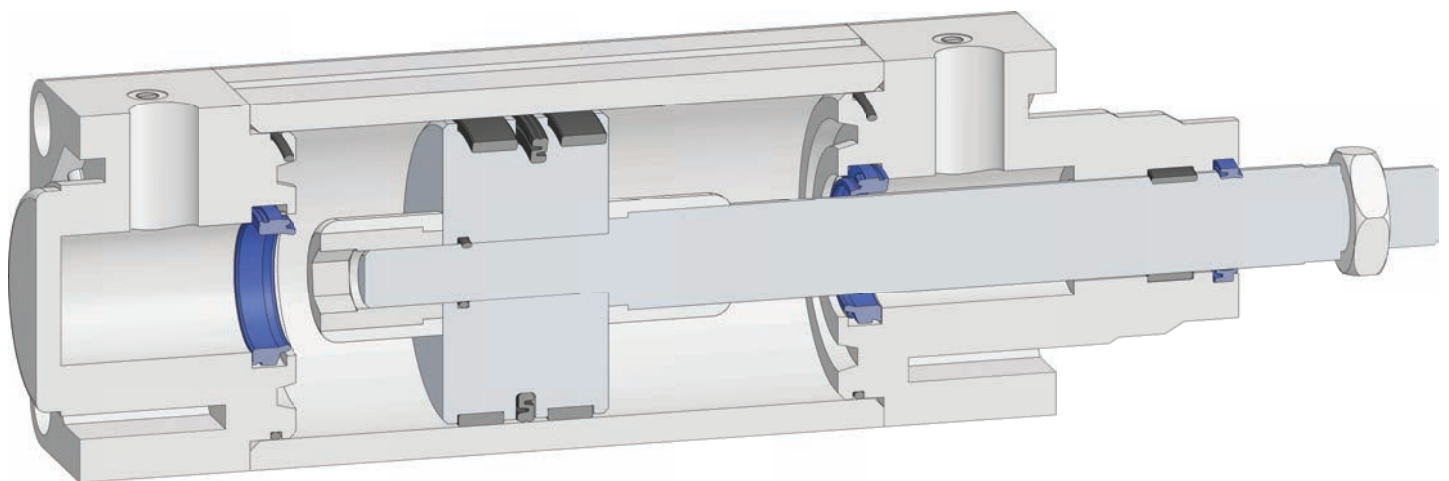
A854 Heavy Duty Pneumatic Rod Wiper



A855 Pneumatic Cushioning Seal



- A805 Piston seal that eliminates the need for piston head machining and provides reliable pressure application at the end of strokes thanks to the venting passages.
- A854 design with extra protection against particles such as welding slag that can be stuck on the rod.



A251 Piston Rod Guide Ring



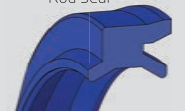
O-Ring



A803 Pneumatic Piston Seal



A853 Pneumatic Wiper Rod Seal



A855 Pneumatic Cushioning Seal



- A803 Piston seal and A853 Pneumatic wiper rod seal suitable for narrow housings.
- A251 Guiding element with superior load bearing performance at the piston head.
- A855 Cushioning seal providing reliable operation.

Phone:+90 232 328 15 99
Fax: +90 232 328 15 96
E-mail: info@alpkaucuk.com
Address:MPIOSB 7.Cadde No:7
Menemen, Izmir/Turkey

